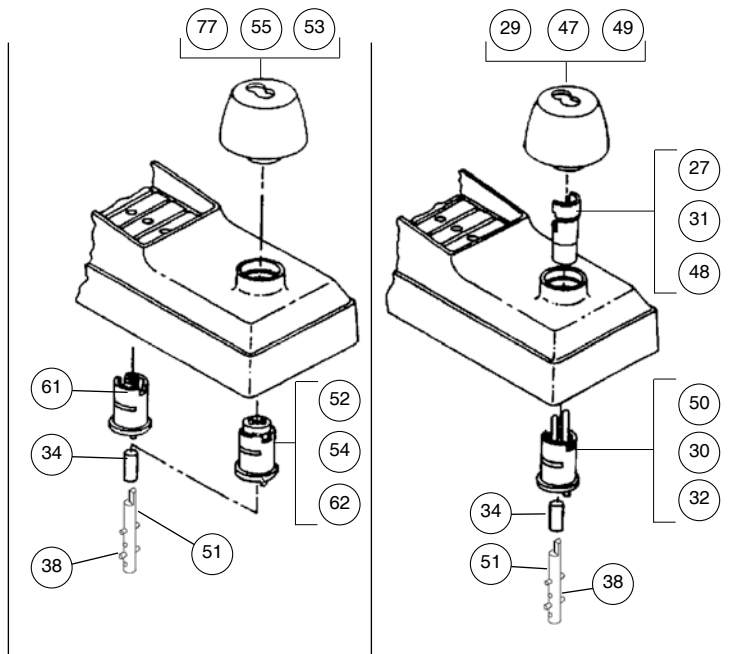
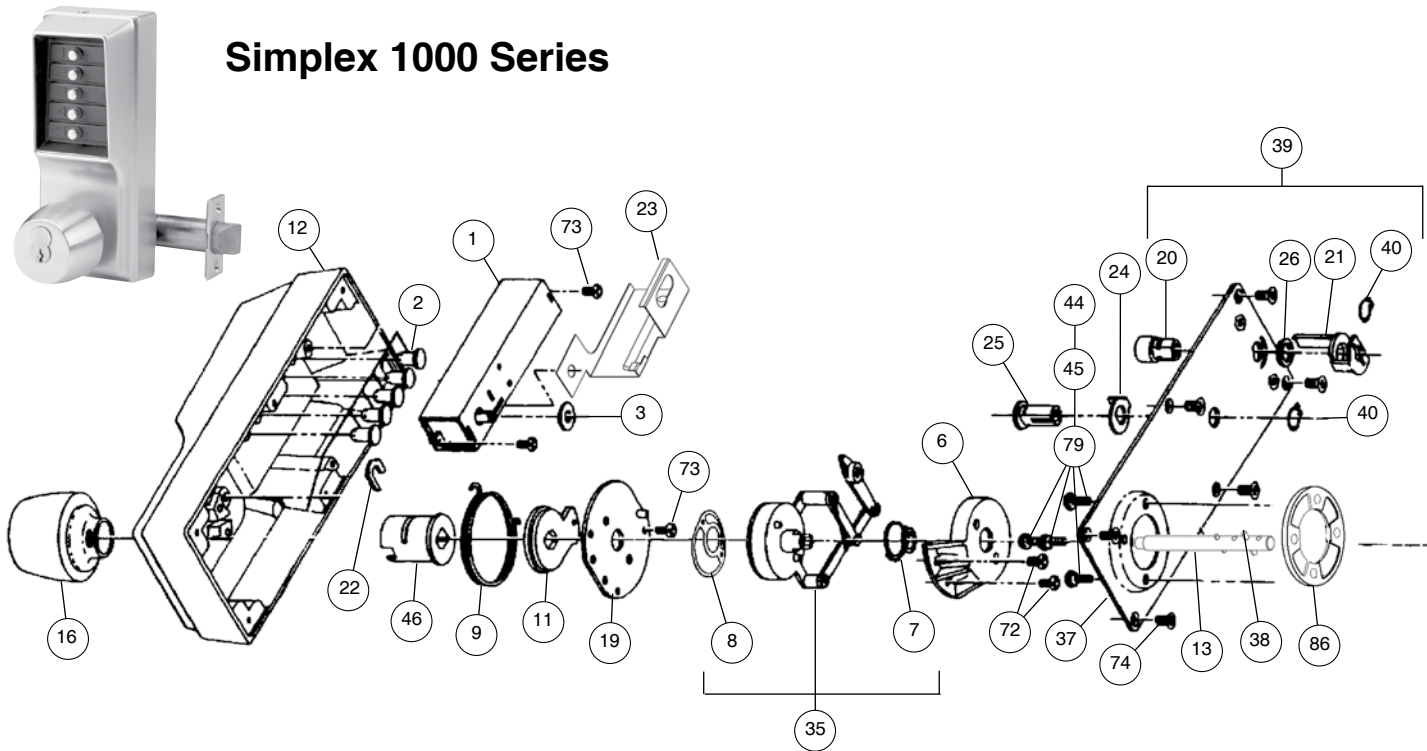




Simplex 1000 Series

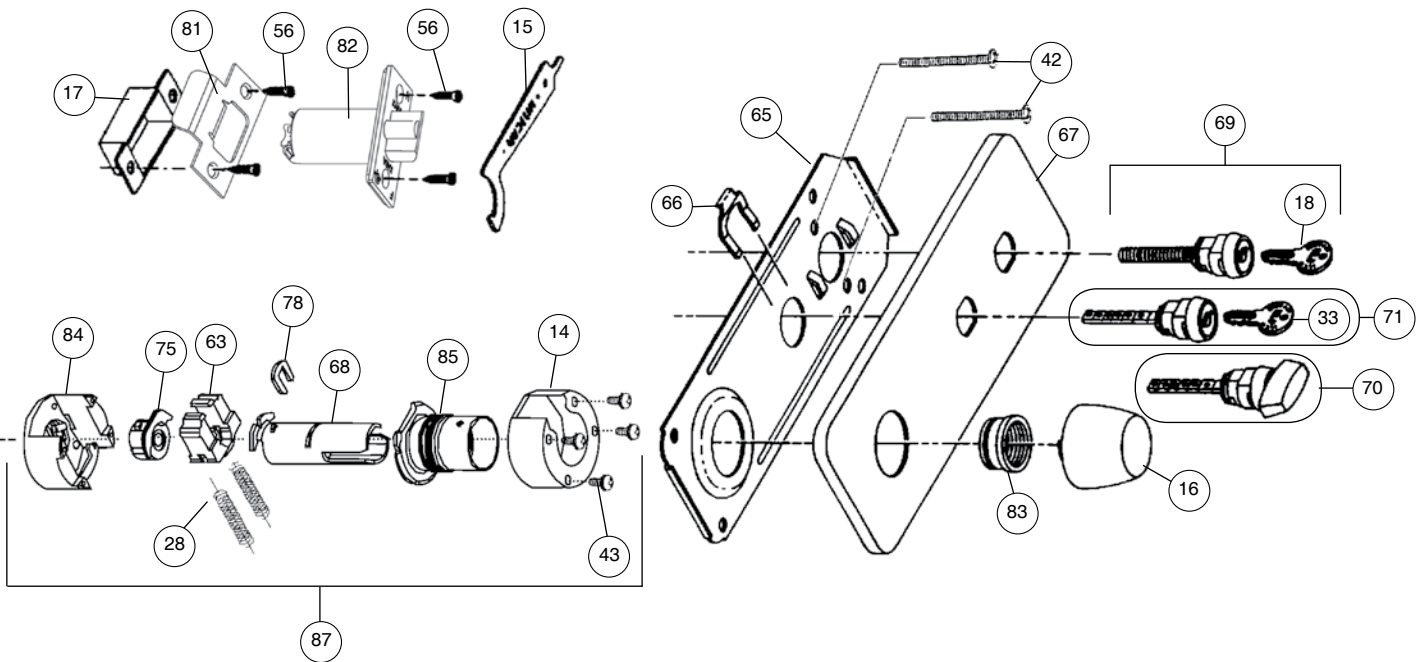


Notes: Older model locks used knob insert (27, 31, 48) to the right. Current production is more represented by model on left.

Key Override Models:
Medeco/ASSA/Yale Schlage

Key Override Models:
Best & Equivalents Corbin/Russwin Sargent

Simplex 1000 Series (continued)



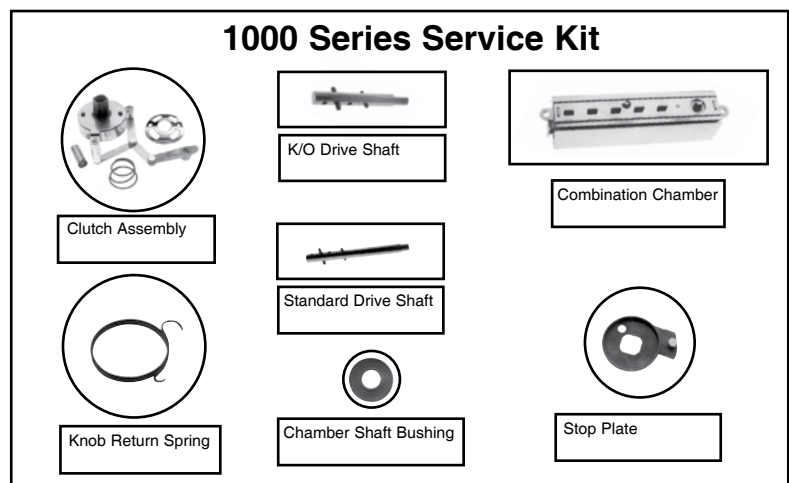
**See inside front cover for
How to Order instructions**

1000 Series Service Kit

Parts Included in Kit

- Chamber Shaft Bushing
- Clutch Assembly
- Combination Chamber
- Drive Shaft (No Key Override)
- Drive Shaft (Key Override)
- Knob Return Spring
- Stop plate

203035-000-01



Simplex 1000 Series (continued)

Item	Qty/Lock	Description	Finish	Part Number	List Price (USD)
1	1	Combination Chamber M-56 / M-63 (Old # 201429-000-01)		7436600001	
2	5	Pushbuttons (10 Pack)	Black	20002410610	
		Pushbuttons (10 Pack)	Silver	20002410910	
3	1	Shaft Bushing (5 Pack)		20002600005	
6	1	Clutch Cover Assembly		20100900001	
7	1	Balance Spring - Clutch Spring Kit (Includes 1 ea. #7, #8)		20101600001	
8	1	Double Wave Spring - Clutch Spring Kit (Includes 1 ea. #7, #8) (Replaced 201018-000-01)		20101600001	
9	1	Knob Return Spring - Knob Return Spring Kit (Includes 1 ea. #9, #11)		20104000001	
11	1	Stop Plate Assembly - Knob Return Spring Kit (Includes 1 ea. #9, #11)		20104000001	
12	1	Front Housing	Satin Chrome	20104926D01	
		Front Housing	Bright Chrome	20104902601	
		Front Housing	Bright Brass	2010490301	
		Front Housing	Antique Brass	2010490501	
13	1	Drive Shaft Shaft Assembly for Non Key Override		20105000001	
14	1	Shoe Housing Cover		20127700001	
15	1	Installation Wrench (spanner wrench) - Code Change Tool Kit (Includes 1 ea. #15, #18)		20127800001	
16	1	Knob Assembly - No Key Override (Includes spacer) (Old number 201284)	Satin Chrome	3426426D01	
		Knob Assembly - No Key Override (Includes spacer) (Old number 201284)	Bright Chrome	3426402601	
		Knob Assembly - No Key Override (Includes spacer) (Old number 201284)	Bright Brass	342640301	
		Knob Assembly - No Key Override (Includes spacer) (Old number 201284)	Antique Brass	342640501	
17	1	Strike Box (Old Number 55068-000-01)		20128700001	
18	1	DF-59 Key - Code Change Tool Kit (Includes 1 ea. #15, #18) (Includes 1 ea. #15, #18)		20127800001	
19	1	Clutch Backing Plate		20130400001	
20	1	Combination Change Stud - Combination Change Actuator Kit (Includes 1 ea. #20, #21, #26, #40)		20133600001	
21	1	Combination Change Sleeve - Combination Change Actuator Kit (Includes 1 ea. #20, #21, #26, #40)		20133600001	
22	1	Retainer Clip (For Front Knob) (5 Pack)		20134300005	
23	1	Chamber Release - Passage Kit (For models with passage set) (Includes 1 ea. #23, #24, #25, #40)		20182500001	
24	1	Chamber Release Cam - Passage Kit (For models with passage set) (Includes 1 ea. #23, #24, #25, #40)		20182500001	
25	1	Actuator Stud - Passage Kit (For models with passage set) (Includes 1 ea. #23, #24, #25, #40)		20182500001	
26	1	Combination Change Sleeve Washer - Combination Change Actuator Kit (Includes 1 ea. #20, #21, #26, #40)		20133600001	
27	1	Knob Insert (Also fits Falcon / Arrow / Eagle / KSP / Lloyd Matheson) (used with 201382 ONLY)		20136500001	
28	2	Shoe Spring (For Cylindrical Drive Unit) (10 Pack)		20136600010	
29	1	Best Knob Key Override Assembly - (Also fits Falcon / Arrow / Eagle / KSP / Lloyd Matheson) Removable core not included (Old number 201382-000-01) (Knob Insert not Required)	Satin Chrome	3426326D01	

Simplex 1000 Series (continued)

Item	Qty/Lock	Description	Finish	Part Number	List Price (USD)
29	1	Best Knob Key Override Assembly - (Also fits Falcon / Arrow / Eagle / KSP / Lloyd Matheson) Removable core not included (Old number 201382-000-01) (Knob Insert not Required)	Bright Chrome	3426302601	
		Best Knob Key Override Assembly - (Also fits Falcon / Arrow / Eagle / KSP / Lloyd Matheson) Removable core not included (Old number 201382-000-01) (Knob Insert not Required)	Bright Brass	342630301	
		Best Knob Key Override Assembly - (Also fits Falcon / Arrow / Eagle / KSP / Lloyd Matheson) Removable core not included (Old number 201382-000-01) (Knob Insert not Required)	Antique Brass	342630501	
30	1	Best Drive Sleeve Assembly (Also fits Falcon / Arrow / Eagle / KSP / Lloyd Matheson) (Includes 1 ea. #22, #30)		20139100001	
31	1	Corbin / Russwin Knob Insert (used with 201523 ONLY)		20141400001	
32	1	Corbin / Russwin Drive Sleeve Assembly (Includes 1 ea. #22, #30)		20142100001	
33	1	Key DF-5 (For Models with passage set) (2 Pack)		20142200002	
34	1	Shaft Self-aligning Bushing (For Models 1021 & 1041)		20142500001	
35	1	Clutch Sub-Assembly (Includes 1 ea. #7, #8, #35)		20143000001	
38	1	Roll Pin (Upper Pin) 0.100" (2.5 mm) dia. (Includes 1 ea. #38, #57; 2 ea. #42, #86; 4 ea. #44, #45, #56, #79)	Satin Chrome	20421026D01	
		Roll Pin (Upper Pin) 0.100" (2.5 mm) dia. (Includes 1 ea. #38, #57; 2 ea. #42, #86; 4 ea. #44, #45, #56, #79)	Bright Chrome	2042100301	
		Roll Pin (Upper Pin) 0.100" (2.5 mm) dia. (Includes 1 ea. #38, #57; 2 ea. #42, #86; 4 ea. #44, #45, #56, #79)	Antique Brass	2042100501	
39	1	Back Plate Sub-assembly (Includes 1 ea. #20, #21, #26, #37, #40)		20143900001	
40	1	Retainer Ring 3/8" (9 mm) (For passage set and combination change sleeve) (10 Pack)		20144000010	
42	2	Screw 8-32 x 2 1/2" (64 mm) (For mounting lock to door) (Includes 1 ea. #38, #57; 2 ea. #42, #86; 4 ea. #44, #45, #56, #79)	Satin Chrome	20421026D01	
		Screw 8-32 x 2 1/2" (64 mm) (For mounting lock to door) (Includes 1 ea. #38, #57; 2 ea. #42, #86; 4 ea. #44, #45, #56, #79)	Bright Brass	2042100301	
		Screw 8-32 x 2 1/2" (64 mm) (For mounting lock to door) (Includes 1 ea. #38, #57; 2 ea. #42, #86; 4 ea. #44, #45, #56, #79)	Antique Brass	2042100501	
43	4	Sems Screw Phillips 6-32 x 1/4" (6 mm) R.H.M.S. (For shoe housing cover)		20144600010	
44	4	Sems Screw Phillips 8-32 x 7/16" (11 mm) R.H.M.S. (For spacer) (Includes 1 ea. #38, #57; 2 ea. #42, #86; 4 ea. #44, #45, #56, #79)	Satin Chrome	20421026D01	
		Sems Screw Phillips 8-32 x 7/16" (11 mm) R.H.M.S. (For spacer) (Includes 1 ea. #38, #57; 2 ea. #42, #86; 4 ea. #44, #45, #56, #79)	Bright Brass	2042100301	
		Sems Screw Phillips 8-32 x 7/16" (11 mm) R.H.M.S. (For spacer) (Includes 1 ea. #38, #57; 2 ea. #42, #86; 4 ea. #44, #45, #56, #79)	Antique Brass	2042100501	
45	4	Sems Screw, Phillips 8-32 x 11/16" (17 mm) R.H.M.S. (For spacer) (Includes 1 ea. #38, #57; 2 ea. #42, #86; 4 ea. #44, #45, #56, #79)	Satin Chrome	20421026D01	
		Sems Screw, Phillips 8-32 x 11/16" (17 mm) R.H.M.S. (For spacer) (Includes 1 ea. #38, #57; 2 ea. #42, #86; 4 ea. #44, #45, #56, #79)	Bright Brass	2042100301	
		Sems Screw, Phillips 8-32 x 11/16" (17 mm) R.H.M.S. (For spacer) (Includes 1 ea. #38, #57; 2 ea. #42, #86; 4 ea. #44, #45, #56, #79)	Antique Brass	2042100501	
46	1	Drive Sleeve Assembly - No Key Override (Old # 201062-045-01) (Includes 1 ea. #22, #46)		20149900001	
47	1	Corbin / Russwin Knob Key Override Assembly Removable core not included (Old #201523) (Includes Spacer) (Knob Insert not Required)	Satin Chrome	3426526D01	

Simplex 1000 Series (continued)

Item	Qty/Lock	Description	Finish	Part Number	List Price (USD)
47	1	Corbin / Russwin Knob Key Override Assembly Removable core not included (Old #201523) (Includes Spacer) (Knob Insert not Required)	Bright Chrome	3426502601	
		Corbin / Russwin Knob Key Override Assembly Removable core not included (Old #201523) (Includes Spacer) (Knob Insert not Required)	Bright Brass	342650301	
		Corbin / Russwin Knob Key Override Assembly Removable core not included (Old #201523) (Includes Spacer) (Knob Insert not Required)	Antique Brass	342650501	
48	1	Sargent Knob Insert (used with 201526 ONLY)		20152400001	
49	1	Sargent Knob Key Override Assembly (Old #201526) Removable core not included (Includes Spacer) (Knob Insert not Required)	Satin Chrome	3426626D01	
		Sargent Knob Key Override Assembly (Old #201526) Removable core not included (Includes Spacer) (Knob Insert not Required)	Bright Chrome	3426602601	
		Sargent Knob Key Override Assembly (Old #201526) Removable core not included (Includes Spacer) (Knob Insert not Required)	Bright Brass	342660301	
		Sargent Knob Key Override Assembly (Old #201526) Removable core not included (Includes Spacer) (Knob Insert not Required)	Antique Brass	342660501	
50	1	Sargent Drive Sleeve Assembly (Includes 1 ea. #22, #50)		20153000001	
51	1	Drive Shaft Assembly for Key Override (Old #201267-045-01)		20154700001	
52	1	Medeco / ASSA / Yale Drive Sleeve Assembly (Use spacer # 201569 and #203054 for 5-6pin Medeco / ASSA cylinders) (Includes 1 ea. #22, #52)		20154800001	
53	1	Medeco / ASSA / Yale Knob Key Override Assembly. Removable core not included. (Use spacer #201569 and #203054 for 5-6pin Medeco / ASSA cylinders) (old # 201517)	Satin Chrome	3426826D01	
		Medeco / ASSA / Yale Knob Key Override Assembly. Removable core not included. (Use spacer #201569 and #203054 for 5-6pin Medeco / ASSA cylinders) (old # 201517)	Bright Chrome	3426802601	
		Medeco / ASSA / Yale Knob Key Override Assembly. Removable core not included. (Use spacer #201569 and #203054 for 5-6pin Medeco / ASSA cylinders) (old # 201517)	Bright Brass	342680301	
		Medeco / ASSA / Yale Knob Key Override Assembly. Removable core not included. (Use spacer #201569 and #203054 for 5-6pin Medeco / ASSA cylinders) (old # 201517)	Antique Brass	342680501	
54	1	Schlage Drive Sleeve Assembly (Old # 201559-045-01) (Includes 1 ea. #22, #54)		20155500001	
55	1	Schlage Knob Key Override Assembly. Removable core not included	Satin Chrome	3426726D01	
		Schlage Knob Key Override Assembly. Removable core not included	Bright Chrome	3426702601	
		Schlage Knob Key Override Assembly. Removable core not included	Bright Brass	342670301	
		Schlage Knob Key Override Assembly. Removable core not included	Antique Brass	342670501	
56	4	Combination Screw; Phillips 8-32 x 3/4" (19 mm) (For Latch & Strike Plate) (10 Pack)	Satin Chrome	20156526D10	
		Combination Screw; Phillips 8-32 x 3/4" (19 mm) (For Latch & Strike Plate) (10 Pack)	Bright Brass	2015650310	
		Combination Screw; Phillips 8-32 x 3/4" (19 mm) (For Latch & Strike Plate) (10 Pack)	Antique Brass	2015650510	
57	1	Rubber Bumper (For Door Frame) (Self adhesive strip of 4) (5 Pack)		20156800005	
58	1	Medeco Knob Spacer (For 5 and 6-pin Medeco / ASSA)		20156900001	
62	1	ASSA Drive Sleeve Assembly (Includes 1 ea. #22, #62)		20160900001	
63	1	Shoe (Old # 201272-000-01)		20172300001	

Simplex 1000 Series (continued)

Item	Qty/Lock	Description	Finish	Part Number	List Price (USD)
64	1	Unified Trim Plate - Standard (Not shown in exploded view)	Satin Chrome	20173626D01	
		Unified Trim Plate - Standard (Not shown in exploded view)	Bright Chrome	20173602601	
		Unified Trim Plate - Standard (Not shown in exploded view)	Bright Brass	2017360301	
		Unified Trim Plate - Standard (Not shown in exploded view)	Antique Brass	2017360501	
65	1	Reinforcing Plate		20173800001	
66	1	Passage Spring Clip (10 Pack)		20174000010	
67	1	Unified Trim Plate (For Passage set Models)	Satin Chrome	20174526D01	
		Unified Trim Plate (For Passage set Models)	Bright Chrome	20174502601	
		Unified Trim Plate (For Passage set Models)	Bright Brass	2017450301	
		Unified Trim Plate (For Passage set Models)	Antique Brass	2017450501	
68	1	Inside Drive Sleeve Assembly (Includes 1 ea. #68, #78) (Old #20127504501)		20178200001	
69	1	Combination Change Plug Assembly with (2) DF59 keys	Satin Chrome	20178726D01	
		Combination Change Plug Assembly with (2) DF59 keys	Bright Brass	2017870301	
		Combination Change Plug Assembly with (2) DF59 keys	Antique Brass	2017870501	
70	1	Passage Set Thumb Turn Plug Assembly	Satin Chrome	20180726D01	
		Passage Set Thumb Turn Plug Assembly	Bright Brass	2018070301	
		Passage Set Thumb Turn Plug Assembly	Antique Brass	2018070501	
71	1	Passage Set Key Turn Plug Assembly (with (2) DF5 keys)	Satin Chrome	20181826D01	
		Passage Set Key Turn Plug Assembly (with (2) DF5 keys)	Bright Brass	2018180301	
		Passage Set Key Turn Plug Assembly (with (2) DF5 keys)	Antique Brass	2018180501	
72	2	Sems Screw Phillips 6-32 x 7/16" (11 mm) R.H.M.S. (For clutch cover) (Includes 10 ea. #72, #73, #74)		6477600001	
73	2	Sems Screw Phillips 6-32 x 5/16" (8 mm) R.H.M.S. (For combination chamber & clutch backing plate) (Includes 10 ea. #72, #73, #74) Screw Pack (10 ea. 6-32 x 3/8", 5/16", 7/16")		6477600001	
74	6	Screw - Phillips 6-32 x 3/8" (10 mm) F.H.M.S. (For back plate) (Replaces 201444-022-10) (Includes 10 ea. #72, #73, #74) Screw Pack (10 ea. 6-32 x 3/8", 5/16", 7/16")		6477600001	
75	1	Drive Insert (Old # 201218-000-01)		20401500001	
78	1	Retainer Clip (For Inside Knob) (5 Pack)		20412000005	
79	4	Sems Screw Phillips 8-32 x 5/16" (5 mm) R.H.M.S. (For spacer) (Old # 201449) (Includes 1 ea. #38, #57; 2 ea. #42, #86; 4 ea. #44, #45, #56, #79)	Satin Chrome	20421026D01	
		Sems Screw Phillips 8-32 x 5/16" (5 mm) R.H.M.S. (For spacer) (Old # 201449) (Includes 1 ea. #38, #57; 2 ea. #42, #86; 4 ea. #44, #45, #56, #79)	Bright Brass	2042100301	
		Sems Screw Phillips 8-32 x 5/16" (5 mm) R.H.M.S. (For spacer) (Old # 201449) (Includes 1 ea. #38, #57; 2 ea. #42, #86; 4 ea. #44, #45, #56, #79)	Antique Brass	2042100501	
80	1	Spacer (Passage Feature for 1031/1041 Models) (Not shown in exploded view) (10 Pack)		20416000010	
81	1	Standard "T" Strike Plate (Old # 201288 or 204167)	Satin Chrome	20422726D01	
		Standard "T" Strike Plate (Old # 201288 or 204167)	Bright Brass	2042270301	
		Standard "T" Strike Plate (Old # 201288 or 204167)	Antique Brass	2042270501	
		Standard "T" Strike Plate (Old # 201288 or 204167)	Bright Chrome	20422702601	
		ASA Strike (For 4 7/8" (105 mm) long cutout) (Old # 201413 or 1000-15-26D)	Satin Chrome	20411926D01	

Simplex 1000 Series *(continued)*

Item	Qty/Lock	Description	Finish	Part Number	List Price (USD)
81	1	ASA Strike (For 4 7/8" (105 mm) long cutout) (Old # 201413 or 1000-15-03)	Bright Brass	2041190301	
		ASA Strike (For 4 7/8" (105 mm) long cutout) (Old # 201413 or 1000-15-05)	Antique Brass	2041190501	
82	1	1/2" (13 mm) Floating Front Throw Latch 2 3/4" (70 mm) Backset	Satin Chrome	20416826D01	
		1/2" (13 mm) Floating Front Throw Latch 2 3/4" (70 mm) Backset	Bright Brass	2041680301	
		1/2" (13 mm) Floating Front Throw Latch 2 3/4" (70 mm) Backset	Antique Brass	2041680501	
		3/4" (19mm) Brass Latch - carries 3-hour UL/ULC fire rating for "A" labeled doors. 2 3/4" (70 mm) backset. Beveled front.	Bright Brass	2011440301	
		3/4" (19mm) Brass Latch - carries 3-hour UL/ULC fire rating for "A" labeled doors. 2 3/4" (70 mm) backset. Beveled front.	Antique Brass	2011440501	
		3/4" (19mm) Brass Latch - carries 3-hour UL/ULC fire rating for "A" labeled doors. 2 3/4" (70 mm) backset. Beveled front.	Satin Chrome	20114426D01	
		Latch 1/2" Floating Face, 2 3/8" Backset - 3 Hour Fire Rated (Includes Screws)	Satin Chrome	751852601	
		Latch 1/2" Floating Face, 2 3/8" Backset - 3 Hour Fire Rated (Includes Screws)	Bright Brass	751850301	
		Latch 1/2" Floating Face, 2 3/8" Backset - 3 Hour Fire Rated (Includes Screws)	Antique Brass	751850501	
83	1	Thread Ring (Old #201282)	Satin Chrome	20416926D01	
		Thread Ring (Old #201282)	Bright Brass	2041690301	
		Thread Ring (Old #201282)	Antique Brass	2041690501	
84	1	Shoe Retainer and Bridge Assembly		20419900001	
85	1	Shoe Retainer Cap Assembly	Satin Chrome	20420026D01	
		Shoe Retainer Cap Assembly	Bright Chrome	20420002601	
		Shoe Retainer Cap Assembly	Bright Brass	2042000301	
		Shoe Retainer Cap Assembly	Antique Brass	2042000501	
86	1	1/4" Spacer, Door Thickness Kit (Includes 1 ea. #38, #57; 2 ea. #42, #86; 4 ea. #44, #45, #56, #79)	Satin Chrome	20421026D01	
		1/4" Spacer, Door Thickness Kit (Includes 1 ea. #38, #57; 2 ea. #42, #86; 4 ea. #44, #45, #56, #79)	Bright Brass	2042100301	
		1/4" Spacer, Door Thickness Kit (Includes 1 ea. #38, #57; 2 ea. #42, #86; 4 ea. #44, #45, #56, #79)	Antique Brass	2042100501	
87	1	Cylindrical Drive Unit Assembly (Includes 1 ea. #14, #63, #68, #75, #78, #84, #85; 2 ea. #28; 4 ea. #43)	Satin Chrome	20420226D01	
		Cylindrical Drive Unit Assembly (Includes 1 ea. #14, #63, #68, #75, #78, #84, #85; 2 ea. #28; 4 ea. #43)	Bright Chrome	20420202601	
		Cylindrical Drive Unit Assembly (Includes 1 ea. #14, #63, #68, #75, #78, #84, #85; 2 ea. #28; 4 ea. #43)	Bright Brass	2042020301	
		Cylindrical Drive Unit Assembly (Includes 1 ea. #14, #63, #68, #75, #78, #84, #85; 2 ea. #28; 4 ea. #43)	Antique Brass	2042020501	
88	1	Back Plate Assembly (Includes 1 ea. #39, #86, #87; 4 ea. #44) (Not shown in exploded view)	Satin Chrome	20420326D01	
		Back Plate Assembly (Includes 1 ea. #39, #86, #87; 4 ea. #44) (Not shown in exploded view)	Bright Brass	2042030301	
		Back Plate Assembly (Includes 1 ea. #39, #86, #87; 4 ea. #44) (Not shown in exploded view)	Antique Brass	2042030501	
89	1	Screw Pack (Includes 1 ea. #38, #57; 2 ea. #42, #86; 4 ea. #44, #45, #56, #79) (Not shown in exploded view)	Satin Chrome	20421026D01	
		Screw Pack (Includes 1 ea. #38, #57; 2 ea. #42, #86; 4 ea. #44, #45, #56, #79) (Not shown in exploded view)	Bright Brass	2042100301	

Simplex 1000 Series (continued)



Item	Qty/Lock	Description	Finish	Part Number	List Price (USD)
89	1	Screw Pack (Includes 1 ea. #38, #57; 2 ea. #42, #86; 4 ea. #44, #45, #56, #79) (Not shown in exploded view)	Antique Brass	2042100501	
90	1	Installation Hardware Kit (Includes 1 ea. #15, #17, #69, #81, #83, #89; 2 ea. #86) (Not shown in exploded view)	Satin Chrome	20421126D11	
		Installation Hardware Kit (Includes 1 ea. #15, #17, #69, #81, #83, #89; 2 ea. #86) (Not shown in exploded view)	Bright Brass	2042110311	
		Installation Hardware Kit (Includes 1 ea. #15, #17, #69, #81, #83, #89; 2 ea. #86) (Not shown in exploded view)	Antique Brass	2042110511	

Additional Kits and Accessories

		Rubber Knob Insert Kit for Die Cast Knobs		6479200001	
		Lubriplate Aero Grease Tubes		6475400001	
		Best Key Override Spacer (not shown)		3800-00-3007	
		Sargent Key Override Spacer (not shown)		20402800001	
		Corbin-Russwin Key Override Spacer (not shown)		20402900001	
		Best Equivalent Removable Core Cylinder (Sold international only, not available for U.S.)	Bright Brass	2014840301	
		Best Equivalent Removable Core Cylinder (Sold international only, not available for U.S.)	Antique Brass	2014840501	
		Best Equivalent Removable Core Cylinder (Sold international only, not available for U.S.)	Satin Chrome	20148426D01	
		Wrap Plate, 10.5" (267mm) x 5" (127mm)	Satin Chrome	20423126D41	
		Wrap Plate, 10.5" (267mm) x 5" (127mm)	Bright Brass	2042310341	
		Wrap Plate, 10.5" (267mm) x 5" (127mm)	Antique Brass	2042310541	
		Wrap Plate, 15" (381mm) x 5" (127mm)	Satin Chrome	20423226D41	
		Wrap Plate, 15" (381mm) x 5" (127mm)	Bright Brass	2042320341	
		Wrap Plate, 15" (381mm) x 5" (127mm)	Antique Brass	2042320541	
		Anti-Spy Shield (1000/L1000 Series)	Black	20160008301	
		Weather Cover (1000/L1000/5000/E5000)	Smoke	5464400041	
		Latch Extension Assembly - Converts to 3 3/4" (95mm) backset		20402200001	
		Latch Extension Assembly - Converts to 5" (130mm) backset		20402300001	
		Installation Jig (for use with 5000/1000/L1000/E5000)		6468426D01	
		Simplex 1000/L1000 Cylindrical Wood Demo Mount (lock not included)		20304400041	
		3/4" (19 mm) Flat Front Latch - carries 3-hour UL/ULC fire rating for "A" labeled doors. 2 3/4" (70 mm) backset	Bright Brass	2016050301	
		3/4" (19 mm) Flat Front Latch - carries 3-hour UL/ULC fire rating for "A" labeled doors. 2 3/4" (70 mm) backset	Antique Brass	2016050501	
		3/4" (19 mm) Flat Front Latch - carries 3-hour UL/ULC fire rating for "A" labeled doors. 2 3/4" (70 mm) backset	Satin Chrome	20160526D01	
		ASA Roller Strike (For 4 7/8" (105 mm) long cutout) (old #1000-14-03)	Bright Brass	2018210301	
		ASA Roller Strike (For 4 7/8" (105 mm) long cutout) (old #1000-14-05)	Antique Brass	2018210501	
		ASA Roller Strike (For 4 7/8" (105 mm) long cutout) (old #1000-14-26D)	Satin Chrome	20182126D01	

Simplex 1000 Series (continued)

Additional Kits and Accessories

	3/4" (19 mm) Brass Latch - carries 3-hour UL/ULC fire rating for "A" labeled doors. 2 3/4" (70 mm) backset. Beveled front. (For L1076 privacy Model only)	Bright Brass	2040040301	
	3/4" (19 mm) Brass Latch - carries 3-hour UL/ULC fire rating for "A" labeled doors. 2 3/4" (70 mm) backset. Beveled front. (For L1076 privacy Model only)	Antique Brass	2040040501	
	3/4" (19 mm) Brass Latch - carries 3-hour UL/ULC fire rating for "A" labeled doors. 2 3/4" (70 mm) backset. Beveled front. (For L1076 privacy Model only)	Satin Chrome	20400426D01	
	1/2" (13 mm) Brass Latch - carries 3-hour UL/ULC fire rating for "A" labeled doors. 2 3/4" (70 mm) backset. Fixed beveled front face.	Satin Chrome	5507126D01	
	1/2" (13 mm) Brass Latch - carries 3-hour UL/ULC fire rating for "A" labeled doors. 2 3/4" (70 mm) backset. Fixed beveled front face.	Bright Brass	550710301	
	1/2" (13 mm) Brass Latch - carries 3-hour UL/ULC fire rating for "A" labeled doors. 2 3/4" (70 mm) backset. Fixed beveled front face.	Antique Brass	550710501	

Removable core cylinders are not included. Best equivalent core is available – see above.

Note: Lubriplate Aero grease is the "only" lubricant that should be used.

Knob Conversion Assemblies

	Corbin / Russwin Conversion Assembly (C) (Includes 1 ea. #22, #32, #34, #47, #51)	Satin Chrome	20141726D01	
	Corbin / Russwin Conversion Assembly (C) (Includes 1 ea. #22, #32, #34, #47, #51)	Bright Chrome	20141702601	
	Corbin / Russwin Conversion Assembly (C) (Includes 1 ea. #22, #32, #34, #47, #51)	Bright Brass	2014170301	
	Corbin / Russwin Conversion Assembly (C) (Includes 1 ea. #22, #32, #34, #47, #51)	Antique Brass	2014170501	
	Best / Falcon / Arrow / Eagle / KSP / Lloyd Matheson Conversion Assembly (B) (Includes 1 ea. #22, #29, #30, #34, #51)	Satin Chrome	20149026D01	
	Best / Falcon / Arrow / Eagle / KSP / Lloyd Matheson Conversion Assembly (B) (Includes 1 ea. #22, #29, #30, #34, #51)	Bright Chrome	20149002601	
	Best / Falcon / Arrow / Eagle / KSP / Lloyd Matheson Conversion Assembly (B) (Includes 1 ea. #22, #29, #30, #34, #51)	Bright Brass	2014900301	
	Best / Falcon / Arrow / Eagle / KSP / Lloyd Matheson Conversion Assembly (B) (Includes 1 ea. #22, #29, #30, #34, #51)	Antique Brass	2014900501	
	ASSA / Medeco / Yale Conversion Assembly-Request Spacer 201569 for 5-pin Medeco. (M) (Includes 1 ea. #22, #34, #51, #52, #53)	Satin Chrome	20151926D01	
	ASSA / Medeco / Yale Conversion Assembly-Request Spacer 201569 for 5-pin Medeco. (M) (Includes 1 ea. #22, #34, #51, #52, #53)	Bright Chrome	20151902601	
	ASSA / Medeco / Yale Conversion Assembly-Request Spacer 201569 for 5-pin Medeco. (M) (Includes 1 ea. #22, #34, #51, #52, #53)	Bright Brass	2015190301	
	ASSA / Medeco / Yale Conversion Assembly-Request Spacer 201569 for 5-pin Medeco. (M) (Includes 1 ea. #22, #34, #51, #52, #53)	Antique Brass	2015190501	
	Sargent Conversion Assembly (R) (Includes 1 ea. #22, #34, #49, #50, #51)	Satin Chrome	20153226D01	
	Sargent Conversion Assembly (R) (Includes 1 ea. #22, #34, #49, #50, #51)	Bright Chrome	20153202601	
	Sargent Conversion Assembly (R) (Includes 1 ea. #22, #34, #49, #50, #51)	Bright Brass	2015320301	
	Sargent Conversion Assembly (R) (Includes 1 ea. #22, #34, #49, #50, #51)	Antique Brass	2015320501	

Use these conversion assemblies to convert an existing 1000 Series lock from standard to key override, or from one key override to another.



Simplex 1000 Series (continued)

Knob Conversion Assemblies

	Schlage Conversion Assembly (S) (Includes 1 ea. #22, #34 #51, #54, #55)	Satin Chrome	20155826D01	
	Schlage Conversion Assembly (S) (Includes 1 ea. #22, #34 #51, #54, #55)	Bright Chrome	20155802601	
	Schlage Conversion Assembly (S) (Includes 1 ea. #22, #34 #51, #54, #55)	Bright Brass	2015580301	
	Schlage Conversion Assembly (S) (Includes 1 ea. #22, #34 #51, #54, #55)	Antique Brass	2015580501	

Use these conversion assemblies to convert an existing 1000 Series lock from standard to key override, or from one key override to another.

Time Mode Option Parts

	Pneumatic Timer with Microswitch		20021000001	
	Modified Chamber Link		20157500001	
	Pneumatic Timer without Microswitch		20157700001	
	Spacer		20157800001	
	Modified Cover Plate Assembly		20158000001	

Parts availability may be limited on older component parts no longer used in production units.