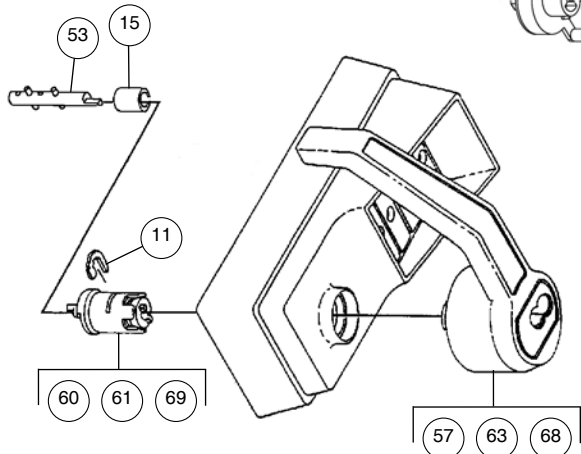
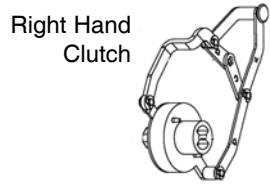
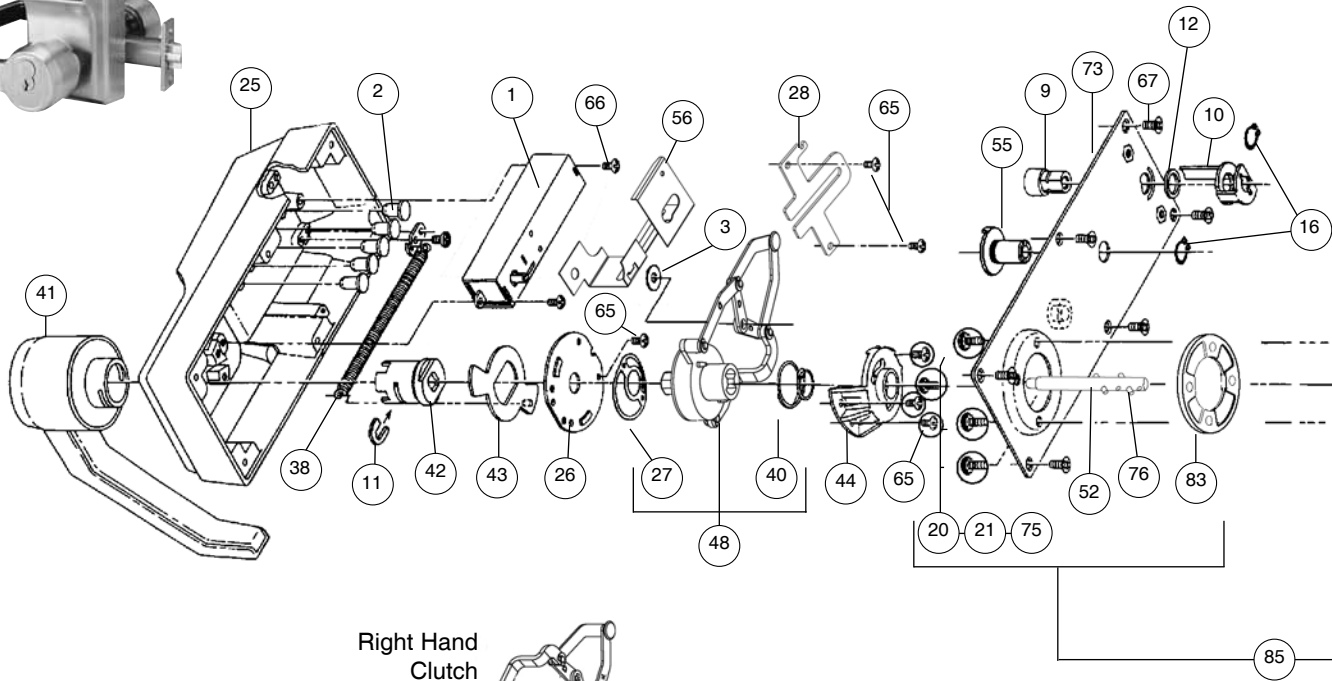
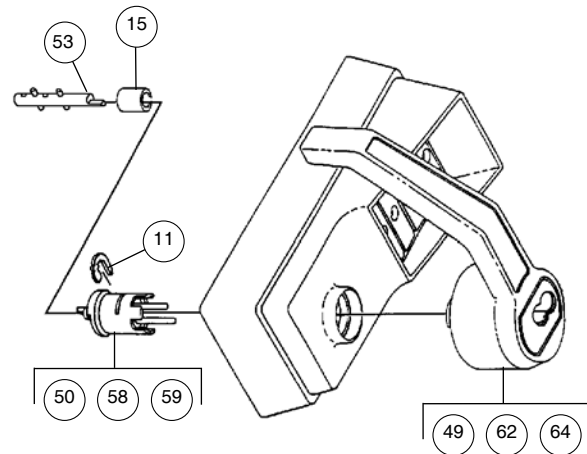




# Simplex L1000 Series



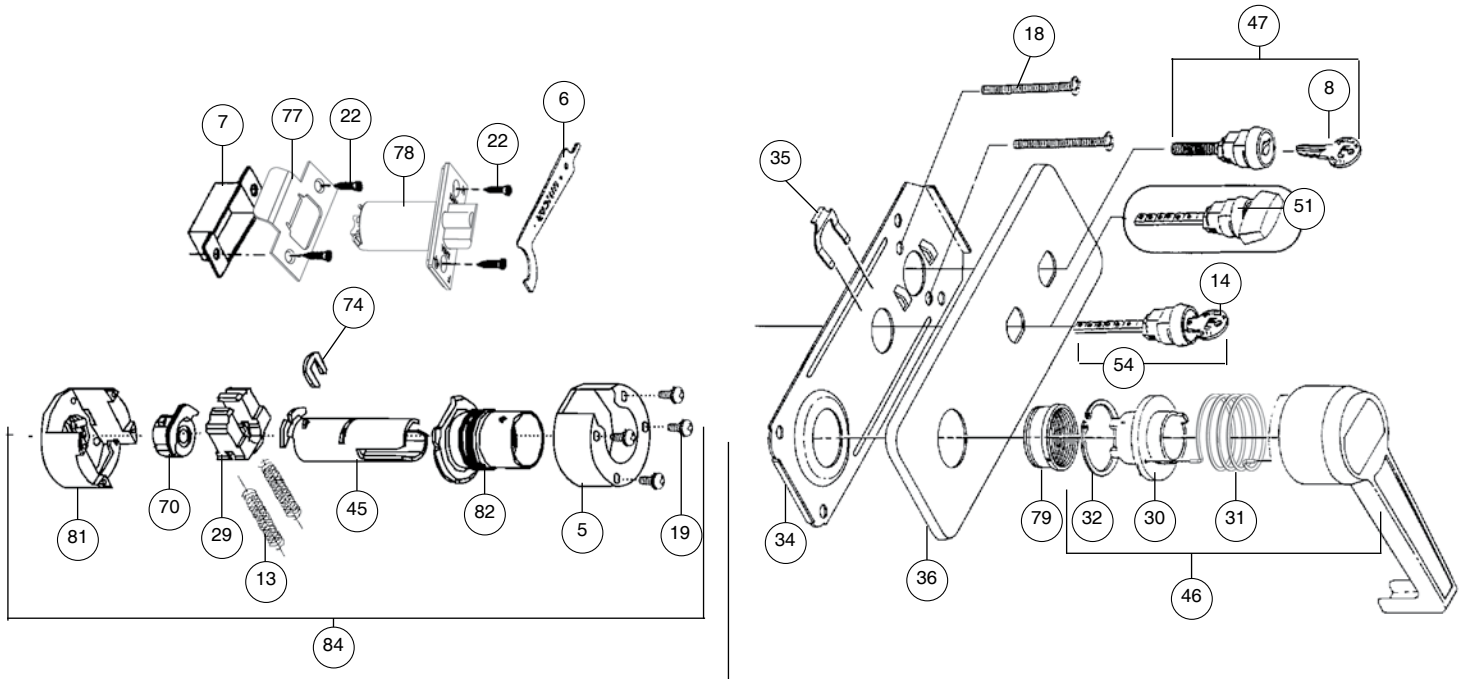
**Key Override Models:**  
 Medeco/ASSA/Yale  
 Schlage



**Key Override Models:**  
 Best & Equivalents  
 Corbin/Russwin  
 Sargent

**See inside front cover for  
 How to Order instructions**

# Simplex L1000 Series (continued)



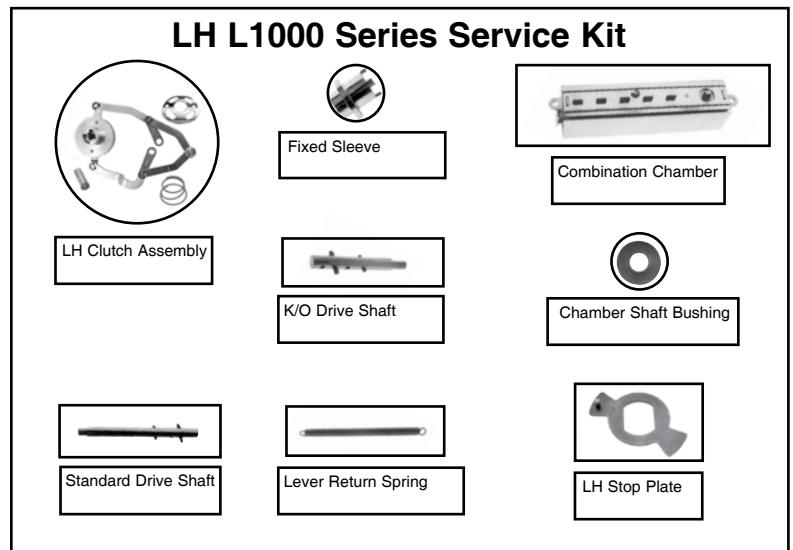
## L1000 Series Service Kit

### Parts Included in Kit

- Chamber Shaft Bushing
- Clutch Assembly
- Combination Chamber
- Drive Shaft (No Key Override)
- Drive Shaft (key Override)
- Lever Return Spring
- Fixed Sleeve
- Stop Plate

**Left Hand: 203038-000-01**

**Right Hand: 203037-000-01**



Left Hand Kit Shown

## Simplex L1000 Series (continued)

Item	Qty/Lock	Description	Finish	Part Number	List Price (USD)
1	1	Combination Chamber (M-63/M-56) (Old # 201764-000-0)		7436600001	
2	5	Pushbuttons (10 Pack)	Black	20002410610	
		Pushbuttons (10 Pack)	Silver	20002410910	
3	1	Bushing, Shaft (5 Pack)		20002600005	
5	1	Cover for Shoe Housing		20127700001	
6	1	Installation Wrench (spanner wrench) - Code Change Tool Kit (Includes 1 ea. #6, #8)		20127800001	
7	1	Strike Box		20128700001	
8	1	DF-59 Key - Code Change Tool Kit (Includes 1 ea. #6, #8)		20127800001	
9	1	Combination Change Stud - Combination Change Actuator Kit (Includes 1 ea. #9, #10, #12, #16)		20133600001	
10	1	Combination Change Sleeve - Combination Change Actuator Kit (Includes 1 ea. #9, #10, #12, #16)		20133600001	
11	1	Front Knob Retainer Clip (5 Pack)		20134300005	
12	1	Combination Change Sleeve Washer - Combination Change Actuator Kit (Includes 1 ea. #9, #10, #12, #16)		20133600001	
13	2	Shoe Spring (For Cylindrical Drive Unit) (10 Pack)		20136600010	
14	1	Key DF-5 (For Passage Set) (2 Pack)		20142200002	
15	1	Shaft Self-Aligning Bushing (For Models 1021 & 1041)		20142500001	
16	1	Retainer Ring 3/8" I.D. (10 Pack)		20144000010	
18	2	Screw, 8-32 x 2 1/2" (For Mounting) (Includes 1 ea. #23, #76; 2 ea. #18, #83; 4 ea. #20, 21, #22, #75)	Satin Chrome	20421026D01	
		Screw, 8-32 x 2 1/2" (For Mounting) (Includes 1 ea. #23, #76; 2 ea. #18, #83; 4 ea. #20, 21, #22, #75)	Bright Brass	2042100301	
		Screw, 8-32 x 2 1/2" (For Mounting) (Includes 1 ea. #23, #76; 2 ea. #18, #83; 4 ea. #20, 21, #22, #75)	Antique Brass	2042100501	
19	4	Sems Screw, Phillips 6-32 x 1/4" R.H.M.S. (For Shoe Housing Cover) (10 Pack)		20144600010	
20	4	Sems Screw, Phillips 8-32 x 7/16" R.H.M.S. (For Spacer) (Includes 1 ea. #23, #76; 2 ea. #18, #83; 4 ea. #20, 21, #22, #75)	Satin Chrome	20421026D01	
		Sems Screw, Phillips 8-32 x 7/16" R.H.M.S. (For Spacer) (Includes 1 ea. #23, #76; 2 ea. #18, #83; 4 ea. #20, 21, #22, #75)	Bright Brass	2042100301	
		Sems Screw, Phillips 8-32 x 7/16" R.H.M.S. (For Spacer) (Includes 1 ea. #23, #76; 2 ea. #18, #83; 4 ea. #20, 21, #22, #75)	Antique Brass	2042100501	
21	4	Sems Screw, Phillips 8-32 x 5/16" R.H.M.S. (For Spacer) (Includes 1 ea. #23, #76; 2 ea. #18, #83; 4 ea. #20, 21, #22, #75)	Satin Chrome	20421026D01	
		Sems Screw, Phillips 8-32 x 5/16" R.H.M.S. (For Spacer) (Includes 1 ea. #23, #76; 2 ea. #18, #83; 4 ea. #20, 21, #22, #75)	Bright Brass	2042100301	
		Sems Screw, Phillips 8-32 x 5/16" R.H.M.S. (For Spacer) (Includes 1 ea. #23, #76; 2 ea. #18, #83; 4 ea. #20, 21, #22, #75)	Antique Brass	2042100501	
22	4	Combination Screw, Phillips 8-32 x 3/4" (For latch and strike plate) (10 Pack)	Satin Chrome	20156526D10	
		Combination Screw, Phillips 8-32 x 3/4" (For latch and strike plate) (10 Pack)	Bright Brass	2015650310	
		Combination Screw, Phillips 8-32 x 3/4" (For latch and strike plate) (10 Pack)	Antique Brass	2015650510	
23	1	Rubber Bumper (For Door Frame) (Self Adhesive Strip of 4) (5 Pack)		20156800005	
24	1	Spacer for Medeco 5 - 6 pin Medeco/ASSA		20156900001	

\*When ordering an outside lever assembly for older locks, it may be necessary to order a respective outside drive sleeve assembly. (See Conversion Assemblies)

# Simplex L1000 Series (continued)



Item	Qty/Lock	Description	Finish	Part Number	List Price (USD)
25	1	Front Lock Housing	Satin Chrome	20170026D01	
		Front Lock Housing	Bright Chrome	20170002601	
		Front Lock Housing	Bright Brass	2017000301	
		Front Lock Housing	Antique Brass	2017000501	
26	1	Clutch Backing Plate		20170800001	
27	1	Double Wave Spring - Clutch Spring Kit (Includes 1 ea. #27, #40)		20176800001	
28	1	Guide Bracket		20172100001	
29	1	Retractor Shoe		20172300001	
30	1	Inside Lever Fixed Sleeve - RH - Fixed Sleeve Kit (Includes 1 ea. #30, #31,#32)		20172700001	
		Inside Lever Fixed Sleeve - LH- Fixed Sleeve Kit (Includes 1 ea. #30, #31,#32)		20173300001	
31	1	Inside Lever Coil Return Spring - RH		20173000001	
		Inside Lever Coil Return Spring - LH		20173200001	
32	1	Inside Lever Fixed Sleeve Retainer Clip		20173400001	
33	1	Unified Trim Plate - Standard (Not Shown on Exploded View)	Satin Chrome	20173626D01	
		Unified Trim Plate - Standard (Not Shown on Exploded View)	Bright Chrome	20173602601	
		Unified Trim Plate - Standard (Not Shown on Exploded View)	Bright Brass	2017360301	
		Unified Trim Plate - Standard (Not Shown on Exploded View)	Antique Brass	2017360501	
34	1	Reinforcing Plate		20173800001	
35	1	Passage Spring Clip (10 Pack)		20174000010	
36	1	Unified Trim Plate - Passage Set Model	Satin Chrome	20174526D01	
		Unified Trim Plate - Passage Set Model	Bright Chrome	20174502601	
		Unified Trim Plate - Passage Set Model	Bright Brass	2017450301	
		Unified Trim Plate - Passage Set Model	Antique Brass	2017450501	
38	1	Outside Lever Return Spring - Stop Plate Kit - RH (Includes 1 ea. #38, #43)		20177300001	
		Outside Lever Return Spring - Stop Plate Kit - LH (Includes 1 ea. #38, #43)		20177400001	
40	1	Balance Spring - Clutch Spring Kit (Includes 1 ea. #27, #40)		20176800001	
41	1	Outside Lever Handle Assembly Non Key Override* - Right Handed	Satin Chrome	20177026D01	
		Outside Lever Handle Assembly Non Key Override* - Right Handed	Bright Chrome	20177002601	
		Outside Lever Handle Assembly Non Key Override* - Right Handed	Bright Brass	2017700301	
		Outside Lever Handle Assembly Non Key Override* - Right Handed	Antique Brass	2017700501	
		Outside Lever Handle Assembly Non Key Override* - Left Handed	Satin Chrome	20177126D01	
		Outside Lever Handle Assembly Non Key Override* - Left Handed	Bright Chrome	20177102601	
		Outside Lever Handle Assembly Non Key Override* - Left Handed	Bright Brass	2017710301	
		Outside Lever Handle Assembly Non Key Override* - Left Handed	Antique Brass	2017710501	
42	1	Outside Drive Sleeve Assembly Non Key Override (Includes 1 ea. #11, #42)		20177200001	
43	1	Stop Plate - Stop Plate Kit - RH (Includes 1 ea. #38, #43)		20177300001	
		Stop Plate - Stop Plate Kit - LH (Includes 1 ea. #38, #43)		20177400001	
44	1	Clutch Cover Assembly - Right Handed		20178000001	
		Clutch Cover Assembly - Left Handed		20178100001	
45	1	Inside Drive Sleeve Assembly (Includes 1 ea. #45, #74)		20178200001	
46	1	Inside Lever - Inside Lever Kit - RH (Includes 1 ea. #30, #31, #32, #46)	Satin Chrome	20178526D01	
		Inside Lever - Inside Lever Kit - RH (Includes 1 ea. #30, #31, #32, #46)	Bright Chrome	20178502601	

\*When ordering an outside lever assembly for older locks, it may be necessary to order a respective outside drive sleeve assembly. (See Conversion Assemblies)

## Simplex L1000 Series *(continued)*

Item	Qty/Lock	Description	Finish	Part Number	List Price (USD)
46	1	Inside Lever - Inside Lever Kit - RH (Includes 1 ea. #30, #31, #32, #46)	Bright Brass	2017850301	
		Inside Lever - Inside Lever Kit - RH (Includes 1 ea. #30, #31, #32, #46)	Antique Brass	2017850501	
		Inside Lever - Inside Lever Kit - LH (Includes 1 ea. #30, #31, #32, #46)	Satin Chrome	20178626D01	
		Inside Lever - Inside Lever Kit - LH (Includes 1 ea. #30, #31, #32, #46)	Bright Chrome	20178602601	
		Inside Lever - Inside Lever Kit - LH (Includes 1 ea. #30, #31, #32, #46)	Bright Brass	2017860301	
		Inside Lever - Inside Lever Kit - LH (Includes 1 ea. #30, #31, #32, #46)	Antique Brass	2017860501	
47	1	Combination Change Plug Assembly with (2) DF59 keys (Includes 2 ea. #8)	Satin Chrome	20178726D01	
		Combination Change Plug Assembly with (2) DF59 keys (Includes 2 ea. #8)	Bright Brass	2017870301	
		Combination Change Plug Assembly with (2) DF59 keys (Includes 2 ea. #8)	Antique Brass	2017870501	
48	1	Clutch Assembly - RH (Includes 1 ea. #27, #40, #48)		20178800001	
		Clutch Assembly - LH (Includes 1 ea. #27, #40, #48)		20178900001	
49	1	Best Outside Lever Assembly* (Also fits Falcon / Arrow / Eagle & KSP / Lloyd Matheson Removable Core) - RH	Satin Chrome	20179026D01	
		Best Outside Lever Assembly* (Also fits Falcon / Arrow / Eagle & KSP / Lloyd Matheson Removable Core) - RH	Bright Chrome	20179002601	
		Best Outside Lever Assembly* (Also fits Falcon / Arrow / Eagle & KSP / Lloyd Matheson Removable Core) - RH	Bright Brass	2017900301	
		Best Outside Lever Assembly* (Also fits Falcon / Arrow / Eagle & KSP / Lloyd Matheson Removable Core) - RH	Antique Brass	2017900501	
		Best Outside Lever Assembly* (Also fits Falcon / Arrow / Eagle & KSP / Lloyd Matheson Removable Core) - LH	Satin Chrome	20179126D01	
		Best Outside Lever Assembly* (Also fits Falcon / Arrow / Eagle & KSP / Lloyd Matheson Removable Core) - LH	Bright Chrome	20179102601	
		Best Outside Lever Assembly* (Also fits Falcon / Arrow / Eagle & KSP / Lloyd Matheson Removable Core) - LH	Bright Brass	2017910301	
		Best Outside Lever Assembly* (Also fits Falcon / Arrow / Eagle & KSP / Lloyd Matheson Removable Core) - LH	Antique Brass	2017910501	
50	1	Best Outside Drive Sleeve Assembly (Also fits Falcon / Arrow / Eagle & KSP / Lloyd Matheson Removable Core) (Includes 1 ea. #11, #50)		20179200001	
51	1	Passage Set Thumbturn Plug Assembly (Includes 1 ea. #35, #51)	Satin Chrome	20180726D01	
		Passage Set Thumbturn Plug Assembly (Includes 1 ea. #35, #51)	Bright Brass	2018070301	
		Passage Set Thumbturn Plug Assembly (Includes 1 ea. #35, #51)	Antique Brass	2018070501	
52	1	Drive Shaft Assembly for Non Key Override (Standard)		20181200001	
53	1	Drive Shaft Assembly for Key Override		20181300001	
54	1	Passage Set Key Turn Plug Assembly with (2) DF-5 keys	Satin Chrome	20181826D01	
		Passage Set Key Turn Plug Assembly with (2) DF-5 keys	Bright Brass	2018180301	
		Passage Set Key Turn Plug Assembly with (2) DF-5 keys	Antique Brass	2018180501	
55	1	Chamber Release Cam - Passage Kit (Includes 1 ea. #16, #55, #56) (For Passage Set)		20182500001	
56	1	Chamber Release - Passage Kit (Includes 1 ea. #16, #55, #56) (For Passage Set)		20182500001	
57	1	Schlage Outside Lever Assembly - RH	Satin Chrome	20182926D01	
		Schlage Outside Lever Assembly - RH	Bright Chrome	20182902601	
		Schlage Outside Lever Assembly - RH	Bright Brass	2018290301	

\*When ordering an outside lever assembly for older locks, it may be necessary to order a respective outside drive sleeve assembly.  
(See Conversion Assemblies)

# Simplex L1000 Series *(continued)*

Item	Qty/Lock	Description	Finish	Part Number	List Price (USD)
57	1	Schlage Outside Lever Assembly - RH	Antique Brass	2018290501	
		Schlage Outside Lever Assembly - LH	Satin Chrome	20183026D01	
		Schlage Outside Lever Assembly - LH	Bright Chrome	20183002601	
		Schlage Outside Lever Assembly - LH	Bright Brass	2018300301	
		Schlage Outside Lever Assembly - LH	Antique Brass	2018300501	
58	1	Sargent Outside Drive Sleeve Assembly (Includes 1 ea. #11, #58)		20183100001	
59	1	Corbin / Russwin Outside Drive Sleeve Assembly (Includes 1 ea. #11, #59)		20183200001	
60	1	Schlage Outside Drive Sleeve Assembly (Includes 1 ea. #11, #60)		20184000001	
61	1	Medeco / ASSA / Yale Outside Drive Sleeve Assembly (Old ASSA #204010) (Includes 1 ea. #11, #61)		20184200001	
62	1	Sargent Outside Lever Assembly - RH	Satin Chrome	20192526D01	
		Sargent Outside Lever Assembly - RH	Bright Chrome	20192502601	
		Sargent Outside Lever Assembly - RH	Bright Brass	2019250301	
		Sargent Outside Lever Assembly - RH	Antique Brass	2019250501	
		Sargent Outside Lever Assembly - LH	Satin Chrome	20192626D01	
		Sargent Outside Lever Assembly - LH	Bright Chrome	20192602601	
		Sargent Outside Lever Assembly - LH	Bright Brass	2019260301	
		Sargent Outside Lever Assembly - LH	Antique Brass	2019260501	
63	1	Medeco / ASSA / Yale Outside Lever Assembly (Old #s for ASSA 204008 RH, 204009 LH) RH	Satin Chrome	20192726D01	
		Medeco / ASSA / Yale Outside Lever Assembly (Old #s for ASSA 204008 RH, 204009 LH) RH	Bright Chrome	20192702601	
		Medeco / ASSA / Yale Outside Lever Assembly (Old #s for ASSA 204008 RH, 204009 LH) RH	Bright Brass	2019270301	
		Medeco / ASSA / Yale Outside Lever Assembly (Old #s for ASSA 204008 RH, 204009 LH) RH	Antique Brass	2019270501	
		Medeco / ASSA / Yale Outside Lever Assembly (Old #s for ASSA 204008 RH, 204009 LH) LH	Satin Chrome	20192826D01	
		Medeco / ASSA / Yale Outside Lever Assembly (Old #s for ASSA 204008 RH, 204009 LH) LH	Bright Chrome	20192802601	
		Medeco / ASSA / Yale Outside Lever Assembly (Old #s for ASSA 204008 RH, 204009 LH) LH	Bright Brass	2019280301	
		Medeco / ASSA / Yale Outside Lever Assembly (Old #s for ASSA 204008 RH, 204009 LH) LH	Antique Brass	2019280501	
64	1	Corbin / Russwin Outside Lever Assembly - RH	Satin Chrome	20192926D01	
		Corbin / Russwin Outside Lever Assembly - RH	Bright Chrome	20192902601	
		Corbin / Russwin Outside Lever Assembly - RH	Bright Brass	2019290301	
		Corbin / Russwin Outside Lever Assembly - RH	Antique Brass	2019290501	
		Corbin / Russwin Outside Lever Assembly - LH	Satin Chrome	20193026D01	
		Corbin / Russwin Outside Lever Assembly - LH	Bright Chrome	20193002601	
		Corbin / Russwin Outside Lever Assembly - LH	Bright Brass	2019300301	
		Corbin / Russwin Outside Lever Assembly - LH	Antique Brass	2019300501	

\*When ordering an outside lever assembly for older locks, it may be necessary to order a respective outside drive sleeve assembly. (See Conversion Assemblies)

## Simplex L1000 Series *(continued)*

Item	Qty/Lock	Description	Finish	Part Number	List Price (USD)
65	5	Sems Screw, Phillips 6-32 x 7/16" (11 mm) R.H.M.S. (For clutch cover, clutch backing plate, and guide bracket) (Old # 201448-022-10) (Includes 10 ea. #65, #66, #67) Screw Pack (10 ea. 6-32 x 3/8", 5/16", 7/16")		6477600001	
66	2	Sems Screw, Phillips 6-32 x 5/16" (8 mm) R.H.M.S. (For comb. chamber) (Old # 201447-022-10) (Includes 10 ea. #65, #66, #67) Screw Pack (10 ea. 6-32 x 3/8", 5/16", 7/16")		6477600001	
67	6	Screw Phillips 6-32 x 3/8" F.H.M.S. (For Back Plate) ( Old # 201444-022-10) (Includes 10 ea. #65, #66, #67) Screw Pack (10 ea. 6-32 x 3/8", 5/16", 7/16")		6477600001	
69	1	ASSA Outside Drive Sleeve Assembly (Includes 1 ea. #11, #69)		20401000001	
70	1	Drive Insert		20401500001	
74	1	Inside Knob Retainer Clip (Old # 201344) (5 Pack)		20412000005	
75	4	Sems Screw, Phillips 8-32 x 5/16" R.H.M.S. (For spacer) (Old # 201449) (Includes 1 ea. #23, #76; 2 ea. #18, #83; 4 ea. #20, #21, #22, #75)	Satin Chrome	20421026D01	
		Sems Screw, Phillips 8-32 x 5/16" R.H.M.S. (For spacer) (Old # 201449) (Includes 1 ea. #23, #76; 2 ea. #18, #83; 4 ea. #20, #21, #22, #75)	Bright Brass	2042100301	
		Sems Screw, Phillips 8-32 x 5/16" R.H.M.S. (For spacer) (Old # 201449) (Includes 1 ea. #23, #76; 2 ea. #18, #83; 4 ea. #20, #21, #22, #75)	Antique Brass	2042100501	
76	1	Cross Pin .100" (2.5 mm) x .500 (1.27 mm) long (Includes 1 ea. #23, #76; 2 ea. #18, #83; 4 ea. #20, #21, #22, #75)	Satin Chrome	20421026D01	
		Cross Pin .100" (2.5 mm) x .500 (1.27 mm) long (Includes 1 ea. #23, #76; 2 ea. #18, #83; 4 ea. #20, #21, #22, #75)	Bright Brass	2042100301	
		Cross Pin .100" (2.5 mm) x .500 (1.27 mm) long (Includes 1 ea. #23, #76; 2 ea. #18, #83; 4 ea. #20, #21, #22, #75)	Antique Brass	2042100501	
77	1	Standard "T" Strike Plate (Old # 201288 or 204167)	Satin Chrome	20422726D01	
		Standard "T" Strike Plate (Old # 201288 or 204167)	Bright Brass	2042270301	
		Standard "T" Strike Plate (Old # 201288 or 204167)	Antique Brass	2042270501	
		Standard "T" Strike Plate (Old # 201288 or 204167)	Bright Chrome	20422702601	
		ASA Strike (For 4 7/8" (105 mm) long cutout) (Old # 201413 or 1000-15-26D)	Satin Chrome	20411926D01	
		ASA Strike (For 4 7/8" (105 mm) long cutout) (Old # 201413 or 1000-15-03)	Bright Brass	2041190301	
		ASA Strike (For 4 7/8" (105 mm) long cutout) (Old # 201413 or 1000-15-05)	Antique Brass	2041190501	
78	1	1/2" (13 mm) Floating Front Throw Latch 2 3/4" (70 mm) Backset	Satin Chrome	20416826D01	
		1/2" (13 mm) Floating Front Throw Latch 2 3/4" (70 mm) Backset	Bright Brass	2041680301	
		1/2" (13 mm) Floating Front Throw Latch 2 3/4" (70 mm) Backset	Antique Brass	2041680501	
		3/4" (19mm) Brass Latch - carries 3-hour UL/ULC fire rating for "A" labeled doors. 2 3/4" (70 mm) backset. Beveled front.	Satin Chrome	20114426D01	
		3/4" (19mm) Brass Latch - carries 3-hour UL/ULC fire rating for "A" labeled doors. 2 3/4" (70 mm) backset. Beveled front.	Bright Brass	2011440301	
		3/4" (19mm) Brass Latch - carries 3-hour UL/ULC fire rating for "A" labeled doors. 2 3/4" (70 mm) backset. Beveled front.	Antique Brass	2011440501	
		Latch 1/2" Floating Face, 2 3/8" Backset - 3 Hour Fire Rated (Includes Screws)	Satin Chrome	7518526D01	
		Latch 1/2" Floating Face, 2 3/8" Backset - 3 Hour Fire Rated (Includes Screws)	Bright Brass	751850301	
		Latch 1/2" Floating Face, 2 3/8" Backset - 3 Hour Fire Rated (Includes Screws)	Antique Brass	751850501	
		79	1	Thread Ring	Satin Chrome
Thread Ring	Bright Chrome			20416902601	

\*When ordering an outside lever assembly for older locks, it may be necessary to order a respective outside drive sleeve assembly. (See Conversion Assemblies)

# Simplex L1000 Series (continued)

Item	Qty/Lock	Description	Finish	Part Number	List Price (USD)
79	1	Thread Ring	Bright Brass	2041690301	
		Thread Ring	Antique Brass	2041690501	
81	1	Shoe Retainer and Bridge Assembly		20419900001	
82	1	Shoe Retainer Cap Assembly	Satin Chrome	20420026D01	
		Shoe Retainer Cap Assembly	Bright Chrome	20420002601	
		Shoe Retainer Cap Assembly	Bright Brass	2042000301	
		Shoe Retainer Cap Assembly	Antique Brass	2042000501	
83	1	1/4" Spacer, Door Thickness (Old # 201449) (Includes 1 ea. #23, #76; 2 ea. #18, #83; 4 ea. #20, #21, #22, #75)	Satin Chrome	20421026D01	
		1/4" Spacer, Door Thickness (Old # 201449) (Includes 1 ea. #23, #76; 2 ea. #18, #83; 4 ea. #20, #21, #22, #75)	Bright Brass	2042100301	
		1/4" Spacer, Door Thickness (Old # 201449) (Includes 1 ea. #23, #76; 2 ea. #18, #83; 4 ea. #20, #21, #22, #75)	Antique Brass	2042100501	
84	1	Cylindrical Drive Unit Assembly (Includes 1 ea. #5, #29, #45, #70, #74, #81, #82; 2 ea. #13; 4 ea. #19)	Satin Chrome	20420226D01	
		Cylindrical Drive Unit Assembly (Includes 1 ea. #5, #29, #45, #70, #74, #81, #82; 2 ea. #13; 4 ea. #19)	Bright Chrome	20420202601	
		Cylindrical Drive Unit Assembly (Includes 1 ea. #5, #29, #45, #70, #74, #81, #82; 2 ea. #13; 4 ea. #19)	Bright Brass	2042020301	
		Cylindrical Drive Unit Assembly (Includes 1 ea. #5, #29, #45, #70, #74, #81, #82; 2 ea. #13; 4 ea. #19)	Antique Brass	2042020501	
85	1	Back Plate Assembly (Includes 1 ea. #73, #83, #84; 4 ea. #20) - LH	Satin Chrome	20420426D01	
		Back Plate Assembly (Includes 1 ea. #73, #83, #84; 4 ea. #20) - LH	Bright Brass	2042040301	
		Back Plate Assembly (Includes 1 ea. #73, #83, #84; 4 ea. #20) - LH	Antique Brass	2042040501	
		Back Plate Assembly (Includes 1 ea. #73, #83, #84; 4 ea. #20) - RH	Satin Chrome	20420526D01	
		Back Plate Assembly (Includes 1 ea. #73, #83, #84; 4 ea. #20) - RH	Bright Brass	2042050301	
		Back Plate Assembly (Includes 1 ea. #73, #83, #84; 4 ea. #20) - RH	Antique Brass	2042050501	
86	1	Screw Pack (Includes 1 ea. #23, #76; 2 ea. #18, #83; 4 ea. #20, #21, #22, #75) (Not shown in exploded view)	Satin Chrome	20421026D01	
		Screw Pack (Includes 1 ea. #23, #76; 2 ea. #18, #83; 4 ea. #20, #21, #22, #75) (Not shown in exploded view)	Bright Brass	2042100301	
		Screw Pack (Includes 1 ea. #23, #76; 2 ea. #18, #83; 4 ea. #20, #21, #22, #75) (Not shown in exploded view)	Antique Brass	2042100501	
87	1	Installation Hardware Kit (Includes 1 ea. #6, #7, #47, #77, #79, #86; 2 ea. #83) (Not shown in exploded view)	Satin Chrome	20421126D11	
		Installation Hardware Kit (Includes 1 ea. #6, #7, #47, #77, #79, #86; 2 ea. #83) (Not shown in exploded view)	Bright Brass	2042110311	
		Installation Hardware Kit (Includes 1 ea. #6, #7, #47, #77, #79, #86; 2 ea. #83) (Not shown in exploded view)	Antique Brass	2042110511	

### Additional Kits and Accessories

		Lubriplate Aero Grease Tubes		6475400001	
		Best Key Override Spacer (not shown)		3800-00-3007	
		Sargent Key Override Spacer (not shown)		20402800001	

\*When ordering an outside lever assembly for older locks, it may be necessary to order a respective outside drive sleeve assembly. (See Conversion Assemblies)



## Simplex L1000 Series (continued)

### Additional Kits and Accessories

	Corbin-Russwin Key Override Spacer (not shown)		20402900001	
	Best Equivalent Removable Core Cylinder (Sold international only, not available for U.S.)	Bright Brass	2014840301	
	Best Equivalent Removable Core Cylinder (Sold international only, not available for U.S.)	Antique Brass	2014840501	
	Best Equivalent Removable Core Cylinder (Sold international only, not available for U.S.)	Satin Chrome	20148426D01	
	Wrap Plate, 10.5" (267mm) x 5" (127mm)	Satin Chrome	20423126D41	
	Wrap Plate, 10.5" (267mm) x 5" (127mm)	Bright Brass	2042310341	
	Wrap Plate, 10.5" (267mm) x 5" (127mm)	Antique Brass	2042340541	
	Wrap Plate, 15" (381mm) x 5" (127mm)	Satin Chrome	20423226D41	
	Wrap Plate, 15" (381mm) x 5" (127mm)	Bright Brass	2042320341	
	Wrap Plate, 15" (381mm) x 5" (127mm)	Antique Brass	2012320541	
	Anti-Spy Shield (1000/L1000 Series)	Black	20160008301	
	Weather Cover (1000/L1000/5000/E5000)	Smoke	5464400041	
	Latch Extension Assembly - Converts to 3 3/4" (95mm) backset		20402200001	
	Latch Extension Assembly - Converts to 5" (130mm) backset		20402300001	
	Installation Jig (for use with E5000/5000/1000/L1000)		6468426D01	
	Simplex 1000/L1000 Cylindrical Wood Demo Mount (lock not included)		20304400041	
	3/4" (19 mm) Flat Front Latch - carries 3-hour UL/ULC fire rating for "A" labeled doors. 2 3/4" (70 mm) backset	Bright Brass	2016050301	
	3/4" (19 mm) Flat Front Latch - carries 3-hour UL/ULC fire rating for "A" labeled doors. 2 3/4" (70 mm) backset	Antique Brass	2016050501	
	3/4" (19 mm) Flat Front Latch - carries 3-hour UL/ULC fire rating for "A" labeled doors. 2 3/4" (70 mm) backset	Satin Chrome	20160526D01	
	ASA Roller Strike (For 4 7/8" (105 mm) long cutout) (old #1000-14-03)	Bright Brass	2018210301	
	ASA Roller Strike (For 4 7/8" (105 mm) long cutout) (old #1000-14-05)	Antique Brass	2018210501	
	ASA Roller Strike (For 4 7/8" (105 mm) long cutout) (old #1000-14-26D)	Satin Chrome	20182126D01	
	3/4" (19 mm) Brass Latch - carries 3-hour UL/ULC fire rating for "A" labeled doors. 2 3/4" (70 mm) backset. Beveled front. (For L1076 privacy Model only)	Bright Brass	2040040301	
	3/4" (19 mm) Brass Latch - carries 3-hour UL/ULC fire rating for "A" labeled doors. 2 3/4" (70 mm) backset. Beveled front. (For L1076 privacy Model only)	Antique Brass	2040040501	
	3/4" (19 mm) Brass Latch - carries 3-hour UL/ULC fire rating for "A" labeled doors. 2 3/4" (70 mm) backset. Beveled front. (For L1076 privacy Model only)	Satin Chrome	20400426D01	
	1/2" (13 mm) Brass Latch - carries 3-hour UL/ULC fire rating for "A" labeled doors. 2 3/4" (70 mm) backset. Fixed beveled front face.	Satin Chrome	5507126D01	
	1/2" (13 mm) Brass Latch - carries 3-hour UL/ULC fire rating for "A" labeled doors. 2 3/4" (70 mm) backset. Fixed beveled front face.	Bright Brass	550710301	
	1/2" (13 mm) Brass Latch - carries 3-hour UL/ULC fire rating for "A" labeled doors. 2 3/4" (70 mm) backset. Fixed beveled front face.	Antique Brass	550710501	

### Lever Conversion Assemblies

	Schlage Conversion Assembly (S) - RH	Satin Chrome	20184526D01	
	Schlage Conversion Assembly (S) - RH	Bright Chrome	20184502601	
	Schlage Conversion Assembly (S) - RH	Bright Brass	2018450301	
	Schlage Conversion Assembly (S) - RH	Antique Brass	2018450501	

# Simplex L1000 Series *(continued)*

## Lever Conversion Assemblies

Schlage Conversion Assembly (S) - LH	Satin Chrome	20184626D01	
Schlage Conversion Assembly (S) - LH	Bright Chrome	20184602601	
Schlage Conversion Assembly (S) - LH	Bright Brass	2018460301	
Schlage Conversion Assembly (S) - LH	Antique Brass	2018460501	
Sargent Conversion Assembly (R) - RH	Satin Chrome	20193126D01	
Sargent Conversion Assembly (R) - RH	Bright Chrome	20193102601	
Sargent Conversion Assembly (R) - RH	Bright Brass	2019310301	
Sargent Conversion Assembly (R) - RH	Antique Brass	2019310501	
Sargent Conversion Assembly (R) - LH	Satin Chrome	20193226D01	
Sargent Conversion Assembly (R) - LH	Bright Chrome	20193202601	
Sargent Conversion Assembly (R) - LH	Bright Brass	2019320301	
Sargent Conversion Assembly (R) - LH	Antique Brass	2019320501	
Medeco / ASSA / Yale Conversion Assembly - Request Spacers 201569 for 5 - 6 pin Medeco/ASSA. (M) (Old # for ASSA 204013 RH, 204014 LH) - RH	Satin Chrome	20193326D01	
Medeco / ASSA / Yale Conversion Assembly - Request Spacers 201569 for 5 - 6 pin Medeco/ASSA. (M) (Old # for ASSA 204013 RH, 204014 LH) - RH	Bright Chrome	20193302601	
Medeco / ASSA / Yale Conversion Assembly - Request Spacers 201569 for 5 - 6 pin Medeco/ASSA. (M) (Old # for ASSA 204013 RH, 204014 LH) - RH	Bright Brass	2019330301	
Medeco / ASSA / Yale Conversion Assembly - Request Spacers 201569 for 5 - 6 pin Medeco/ASSA. (M) (Old # for ASSA 204013 RH, 204014 LH) - RH	Antique Brass	2019330501	
Medeco / ASSA / Yale Conversion Assembly - Request Spacers 201569 for 5 - 6 pin Medeco/ASSA. (M) (Old # for ASSA 204013 RH, 204014 LH) - LH	Satin Chrome	20193426D01	
Medeco / ASSA / Yale Conversion Assembly - Request Spacers 201569 for 5 - 6 pin Medeco/ASSA. (M) (Old # for ASSA 204013 RH, 204014 LH) - LH	Bright Chrome	20193402601	
Medeco / ASSA / Yale Conversion Assembly - Request Spacers 201569 for 5 - 6 pin Medeco/ASSA. (M) (Old # for ASSA 204013 RH, 204014 LH) - LH	Bright Brass	2019340301	
Medeco / ASSA / Yale Conversion Assembly - Request Spacers 201569 for 5 - 6 pin Medeco/ASSA. (M) (Old # for ASSA 204013 RH, 204014 LH) - LH	Antique Brass	2019340501	
Best / Falcon / Arrow / Eagle / KSP / Lloyd Matheson Conversion Assembly (B) - RH	Satin Chrome	20193526D01	
Best / Falcon / Arrow / Eagle / KSP / Lloyd Matheson Conversion Assembly (B) - RH	Bright Chrome	20193502601	
Best / Falcon / Arrow / Eagle / KSP / Lloyd Matheson Conversion Assembly (B) - RH	Bright Brass	2019350301	
Best / Falcon / Arrow / Eagle / KSP / Lloyd Matheson Conversion Assembly (B) - RH	Antique Brass	2019350501	
Best / Falcon / Arrow / Eagle / KSP / Lloyd Matheson Conversion Assembly (B) - LH	Satin Chrome	20193626D01	
Best / Falcon / Arrow / Eagle / KSP / Lloyd Matheson Conversion Assembly (B) - LH	Bright Chrome	20193602601	
Best / Falcon / Arrow / Eagle / KSP / Lloyd Matheson Conversion Assembly (B) - LH	Bright Brass	2019360301	
Best / Falcon / Arrow / Eagle / KSP / Lloyd Matheson Conversion Assembly (B) - LH	Antique Brass	2019360501	
Corbin / Russwin Conversion Assembly (C) - RH	Satin Chrome	20193726D01	

## Simplex L1000 Series *(continued)*

### Lever Conversion Assemblies

	Corbin / Russwin Conversion Assembly (C) - RH	Bright Chrome	20193702601	
	Corbin / Russwin Conversion Assembly (C) - RH	Bright Brass	2019370301	
	Corbin / Russwin Conversion Assembly (C) - RH	Antique Brass	2019370501	
	Corbin / Russwin Conversion Assembly (C) - LH	Satin Chrome	20193826D01	
	Corbin / Russwin Conversion Assembly (C) - LH	Bright Chrome	20193802601	
	Corbin / Russwin Conversion Assembly (C) - LH	Bright Brass	2019380301	
	Corbin / Russwin Conversion Assembly (C) - LH	Antique Brass	2019380501	

Use these conversion assemblies to convert an existing L1000 Series lock from standard to key override, or from one key override to another.

Parts availability may be limited on older component parts no longer used in production units.