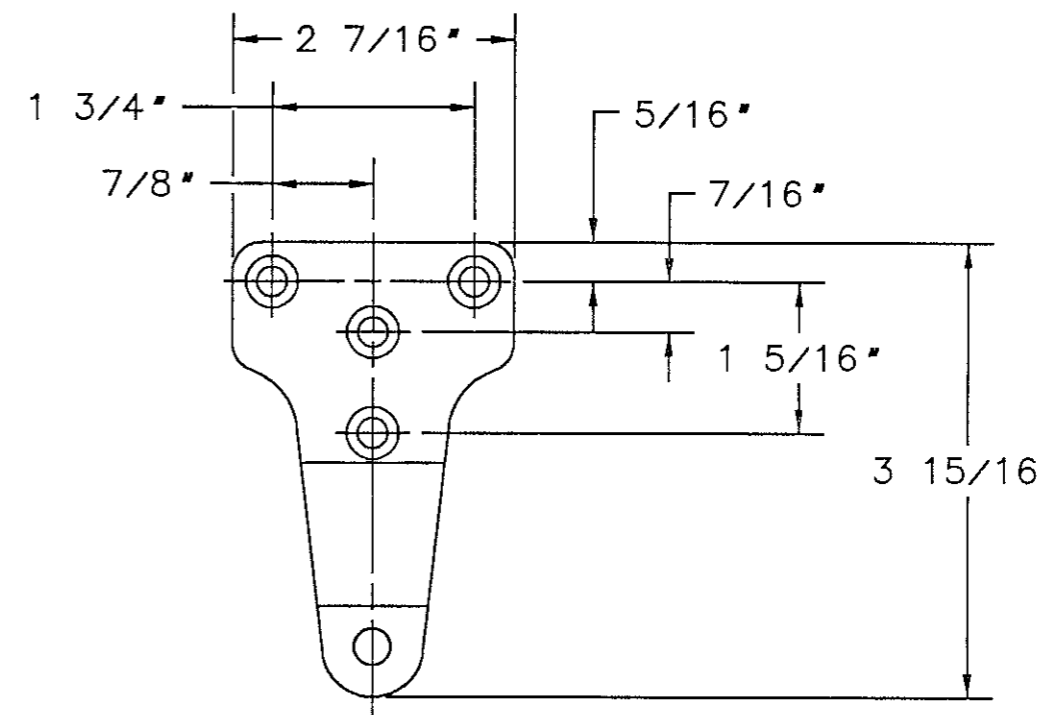
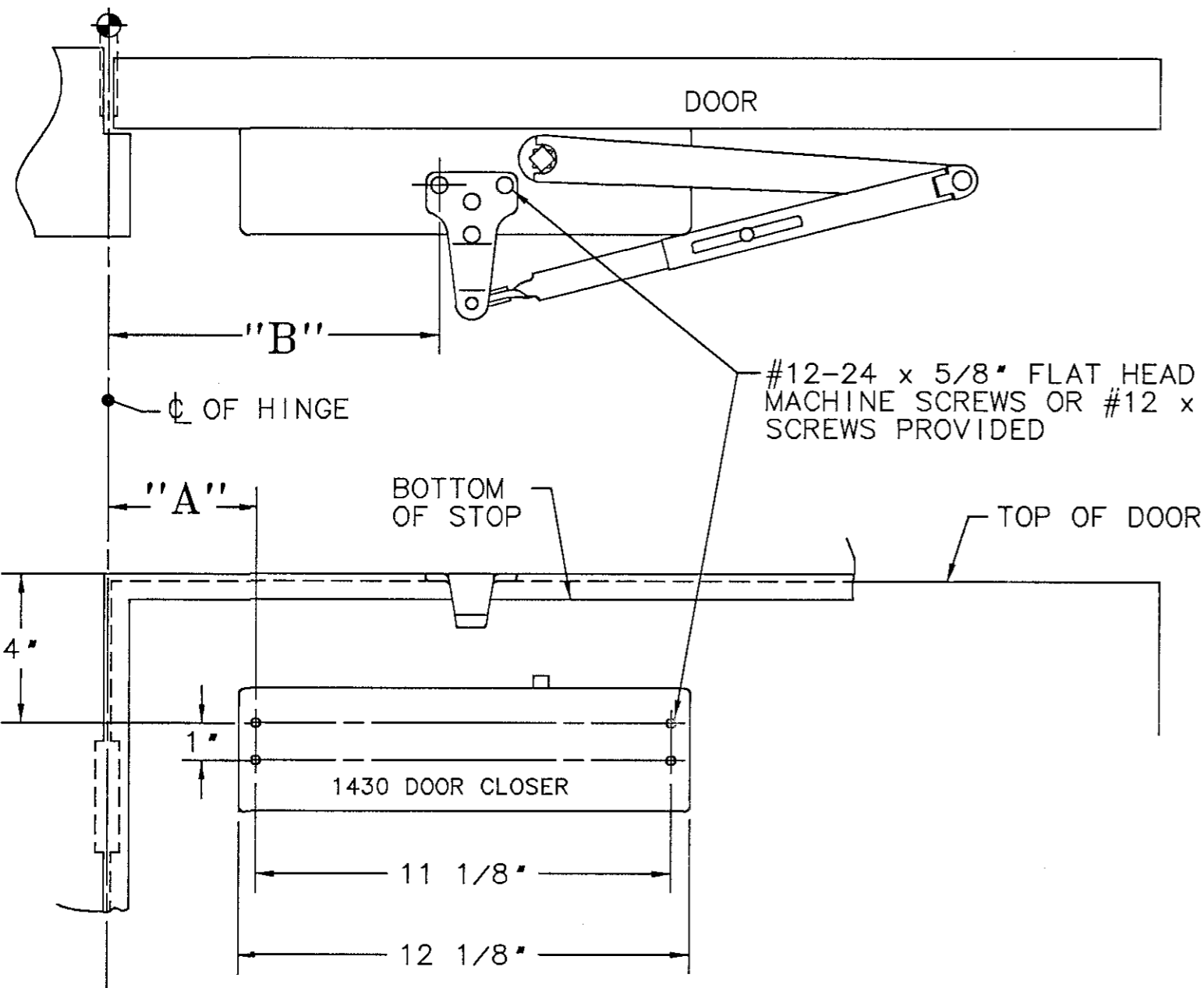
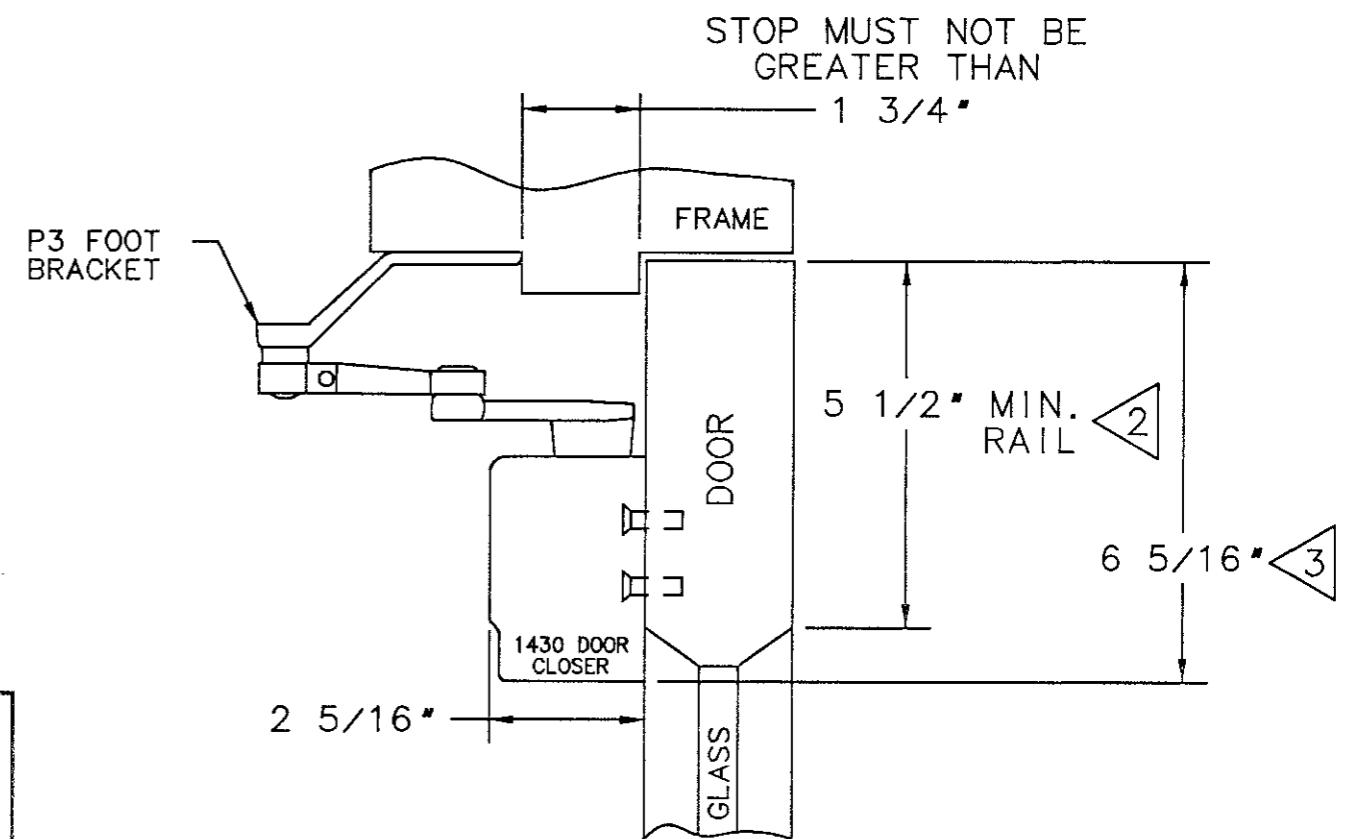


IMPORTANT: USE ALTERNATE MOUNTING IF DOOR CAN OPEN BEYOND LIMITS SHOWN FOR STANDARD MOUNTING

ARM TYPE	MOUNTING	MAX. DOOR OPENING	DIM. "A"	DIM. "B"
P3 WITHOUT HOLDER	STANDARD	120°	4"	8 7/8"
	ALTERNATE	180°	1 1/4"	6 1/8"



P3 BRACKET DETAIL



NOTES

1. REINFORCE METAL DOORS AND FRAMES PER ANSI A250.8 & SDI-100 12 GAUGE RECOMMENDED.
2. FOR THIN RAIL DOORS, USE 1430-D DROP PLATE, SEE TEMPLATE A7168.
3. 1430-J PLATE MAY BE USED WHEN CLOSER IS VISIBLE THROUGH GLASS.
4. LEFT HAND DOOR SHOWN, RIGHT HAND OPPOSITE.

SARGENT® Manufacturing Company
100 Sargent Drive New Haven, CT 06511

DATA SHEET:
1430 SERIES CLOSER WITH A P3
PARALLEL ARM WITH NARROW AND
OR UNREINFORCED STOP

RELEASE DATE
AUG 02
TEMPLATE NO.
A7166 C