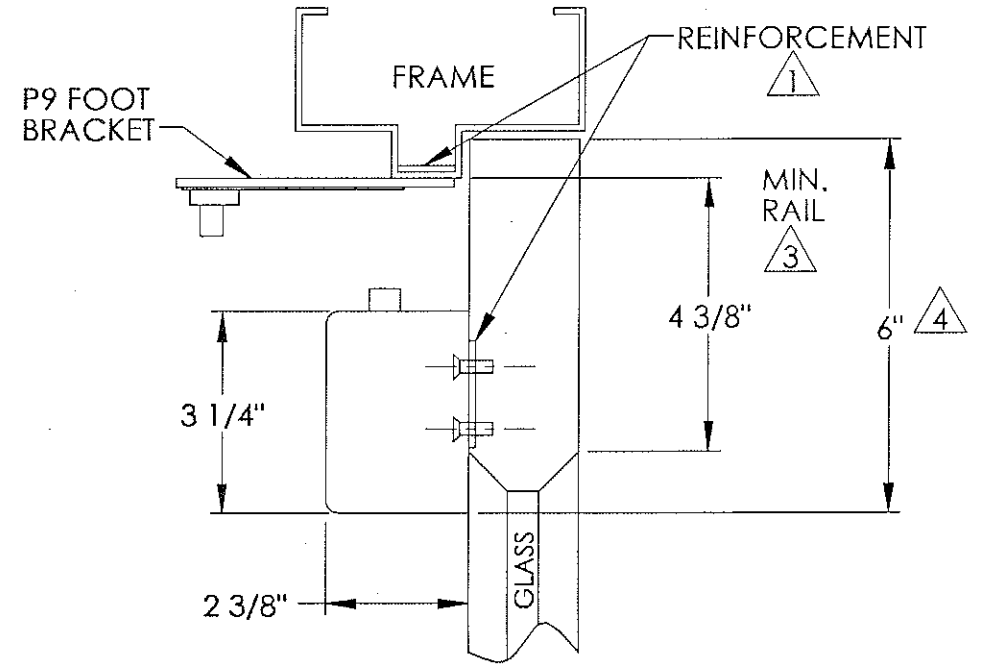
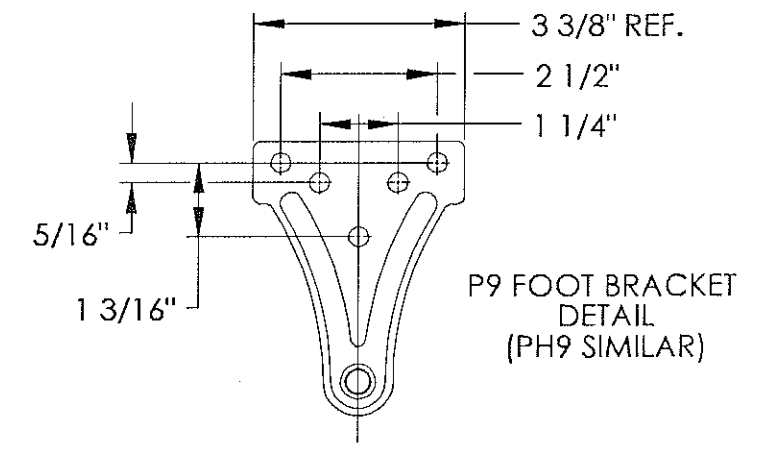


MAX. DOOR OPENING	"A"	"B"	COMMENTS
95°	6 1/2"	12 3/4"	
120°	4"	10 1/2"	1431-PH9 WILL ONLY OPEN TO 110°
180°	1 1/4"	7 3/4"	△5



- NOTES:
- △1. REINFORCE METAL DOORS AND FRAMES PER ANSI A250-8 AND SDI-100 STANDARDS, 12 GAUGE RECOMMENDED.
 - 2. LEFT HAND DOOR SHOWN. RIGHT AND OPPOSITE.
 - △3. FOR THIN RAIL DOORS GREATER THAN 3 1/2", USE 1431-D DROP PLATE, SEE TEMPLATE A7168.
 - △4. 1431-J COVER PLATE MAY BE USED WHEN CLOSER IS VISIBLE THROUGH GLASS.
 - △5. DO NOT USE THIS MOUNTING FOR "SWING CLEAR" HINGES.

SARGENT ® Manufacturing Company 100 Sargent Drive New Haven, CT 06511	
DATA SHEET: 1431 SERIES CLOSER WITH P9, RP9 & PH9 PARALLEL ARM APPLICATIONS	RELEASE DATE <i>17 March 06</i> TEMPLATE NO. A7118 B