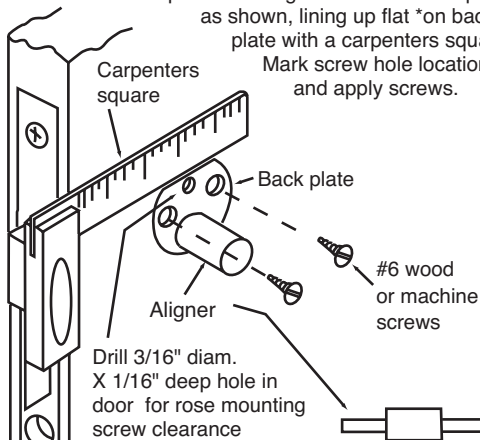


# Instructions for installing SARGENT

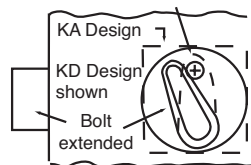
## #130 Turn Knob and #184 Emergency Button

- ① Insert aligner\*\* into lock then slide back plate onto aligner. Position back plate, as shown, lining up flat \*on back plate with a carpenter's square. Mark screw hole locations and apply screws.



- \* For 23 Function & 4878 deadbolts, the turn knob assembly must be inverted  
\*\* Insert Aligner end which fits best

- ② Apply turn knob or emergency button as shown by screwing rose to back plate with the #6-32 x 5/16" machine screw provided.



### NOTE:

Turn knob should cover screw head when bolt is retracted



**NOTE:** When a Turn Knob & Emergency Button are used together, the tail pieces may have to be shorten, be sure both engage the lockbody

## SARGENT

## ASSA ABLOY

ASSA ABLOY, the global leader  
in door opening solutions