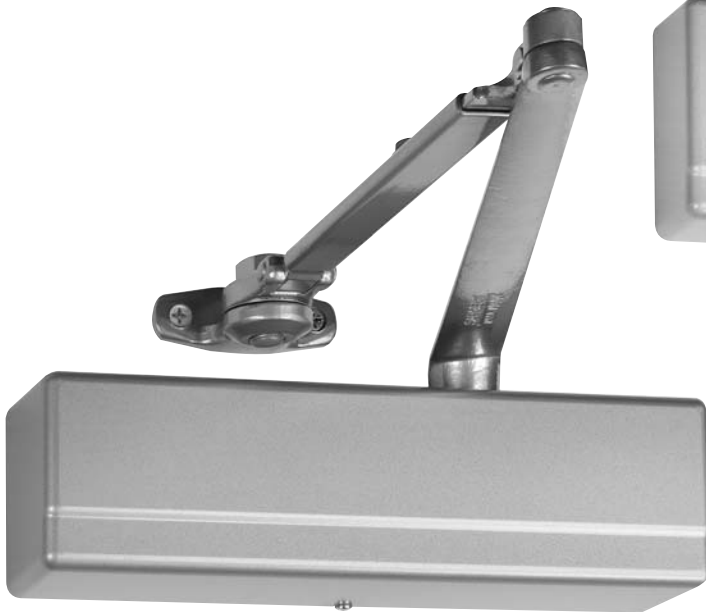
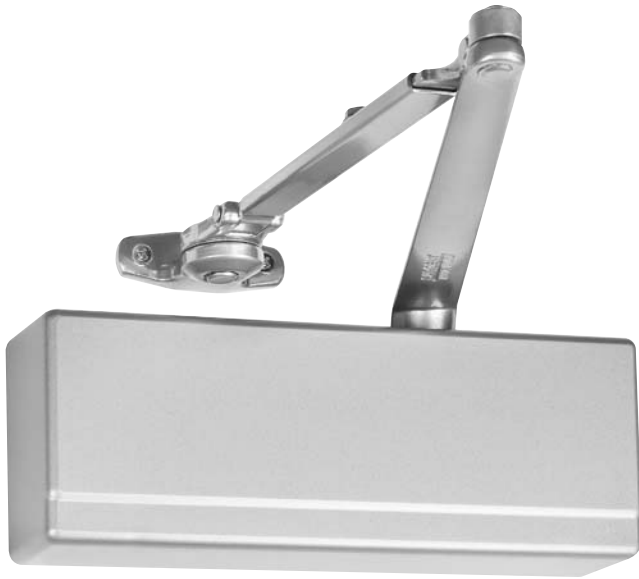


SARGENT®

ASSA ABLOY

281, 351 and 1431 Series Parts Manual



For assistance, contact SARGENT at
800-727-5477 or www.sargentlock.com

<p>⚠ WARNING This product can expose you to lead which is known to the state of California to cause cancer and birth defects or other reproductive harm. For more information go to www.P65warnings.ca.gov.</p>
08/2018

Table of Contents..... 2

281 Series Door Closer Body Assembly & Cover 3

351 Series Door Closer Body Assembly & Cover 4

1430/1431 Series Door Closer Body Assembly & Cover 5

25-O/OZ/OZA Regular Arm 6

25-H / PH9 "UH" Holder Arm 7

25-P9 Parallel Arm..... 8

25-PF9 Fusible Link Holder Arm 9

25-P10/SP10 Heavy Duty Parallel Arm 10

25-CPS Heavy Duty Parallel Arm with Compression Stop..... 11

25-CPSH Heavy Duty Parallel Arm with Hold Open and Compression Stop..... 12

25-PS Heavy Duty Parallel Arm with Stop 13

25-PSH Heavy Duty Parallel Arm with Hold Open and Stop 14

25-OT Track Type Arm, Pull Side 15

25-OTB Track Type Arm With Bumper, Pull Side 16

25-HT Track Type Arm With Hold Open, Pull Side 17

25-HTB Track Type, Hold Open With Bumper, Pull Side 18

25-POT Track Type Arm, Push Side 19

25-POTB Track Type Arm With Bumper, Push Side..... 20

25-PHT Track Type Arm With Hold Open, Push Side 21

25-PHTB Track Type Arm, Hold Open With Bumper, Push Side 22

25-OD Track Type Arm, Double Egress 23

25-ODB Track Type Arm with Bumper, Double Egress 24

25-HD Track Type Arm With Hold Open, Double Egress..... 25

25-HDB Arm And Track Assembly 26

25-ODS Arm And Track Assembly 27

25- ODSB Arm And Track Assembly..... 28

25- HDS Arm And Track Assembly..... 29

25- HDSB Arm And Track Assembly..... 30

25-OTP Pocket Application Arm & Track Assembly 31

25-OP Pocket Arm Assembly 32

**281 Series Door Closer
Body Assembly & Cover**

Item	Assy No.	Part No.	Description	Req'd
1		13-281 281	Case	1
		13-281-DA 281	Delayed action case	
		13-281-ABC 281	Advanced backcheck case	
2		63-0555	Mounting bracket	1
3		281-C**	Plastic cover non-handed	1
4		281-MC-LH*	Metal cover L.H. (see note)	1
		281-MC-RH*	Metal cover R.H. (see note)	
5	63-3481* Screw pack		Arm mounting screw #12-24 x 3/8"	1
			Arm mounting screw washer	1
			Cover screw #8-32 x 5/16"	2
			Case/bracket mounting screw #12-24 x 5/8"	8
		01-9118	Self drilling tapping case mounting screw	4
6		01-2300	Wood screw #12 x 1-1/2" (optional)	4

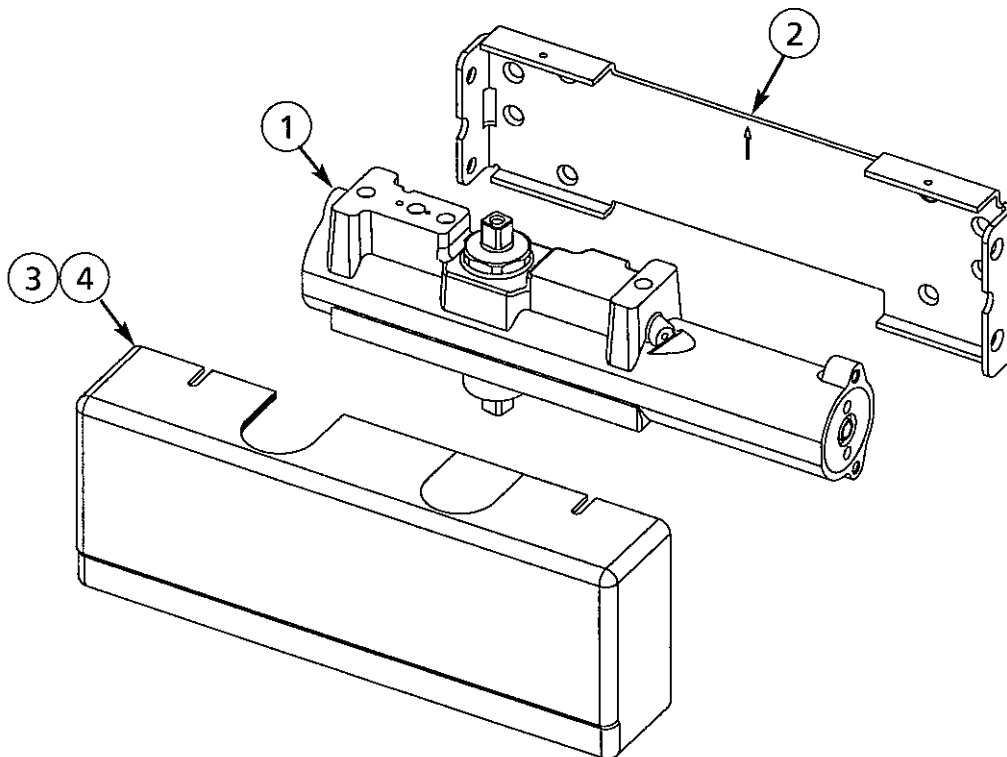
*Finish required:

Powder coat finishes - EB, EN, ED, EP, EAB

Plated finishes - 3, 4, 9, 10, 1 OB, 26, 26D

**Powder coat finishes only

Note: Specify arm being used



The warranty on SARGENT® products becomes void if the product is modified in any way, regardless of whether the modification causes or contributes to any alleged defect. If a SARGENT product is modified it may no longer meet industry certification and quality control standards applicable to the original product and is no longer a genuine SARGENT product.

Copyright ©2019 Sargent Manufacturing Company, an ASSA ABLOY Group company. All rights reserved. Reproduction in whole or in part without the express written permission of Sargent Manufacturing Company is prohibited.

**351 Series Door Closer
Body Assembly & Cover**

Item	Assy No.	Part No.	Description	Req'd
1		13-351 351	Case	1
		13-351-DA 351	Delayed action case	
2		351-C**	Plastic cover non-handed	1
3		351-MC-LH*	Metal cover L.H. (see note)	1
		351-MC-RH*	Metal cover R.H. (see note)	
4	63-3684* Screw pack		Arm mounting screw #12-24 x 3/8"	1
			Arm mounting screw washer	1
			Cover screw #8-32 x 5/16"	2
			Case mounting screw #12-24 x 2-1/4"	4
		01-9120	Self drilling tapping case mounting screw	4
5		01-2306	Wood screw #12 x 3" (optional)	4

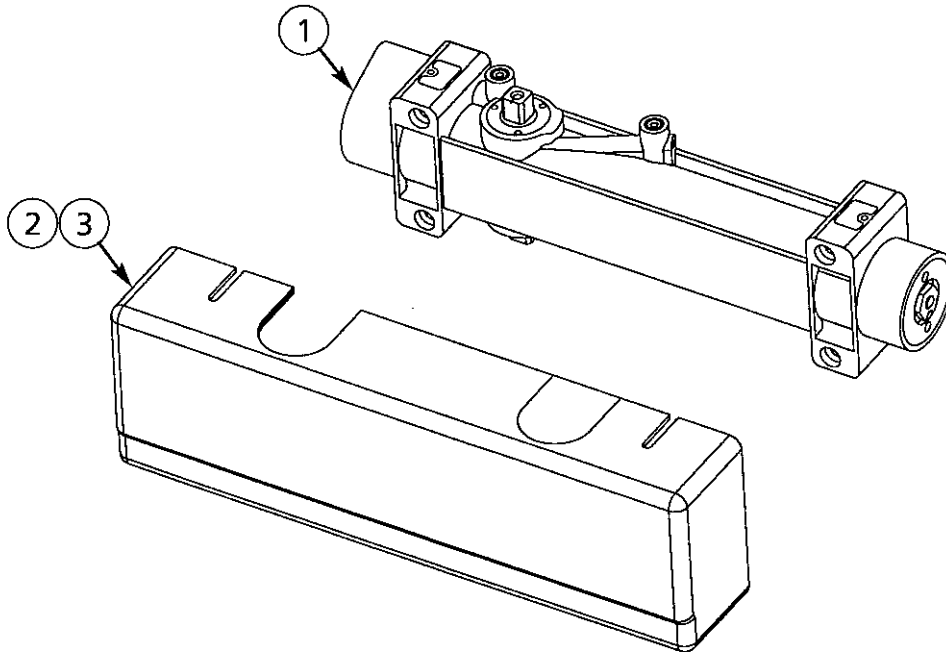
*Finish required:

Powder coat finishes - EB, EN, ED, EP, EAB

Plated finishes - 3, 4, 9, 10, 108, 26, 26D

** Powder coat finishes only

Note: Specify arm being used



**1430/1431 Series Door Closer
Body Assembly & Cover**

Item	Assy. No.	Part No.	Description	Req'd
1		13-1430 1430	Case	1
		13-1430-DA 1	430 Delayed action case	
		13-1431 1431	Case	
		13-1431-DA	1431 Delayed action case	
2		1430-C**	Plastic cover non-handed	1
3		1430-MC-LH*	Metal cover L.H. (see note)	1
		1430-MC-RH*	Metal cover R.H. (see note)	
4		64-0180	Metal cover sunnort	1
5	64-2407* Screw pack		Arm mounting screw 1112-24 x 3/8"	1
			Arm mounting screw washer	1
			Cover screw 118-32 x 5/16"	1
			Cover screw 118-32 x 1-1/4"	1
			Case mounting screw 1112-24 x 5/8"	4
			01-9118	Self drilling tapping case mounting screw
6		64-0175	Plastic cover support	1
7		01-2300	Wood screw 1112 x 1-1/2" (optional)	4

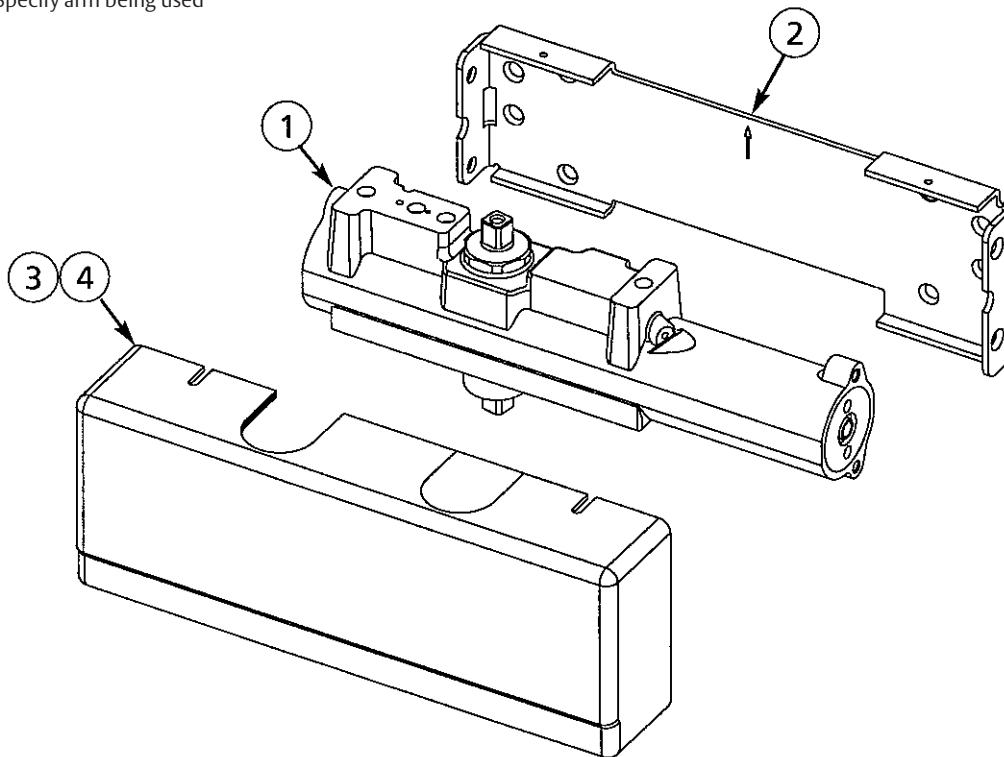
*Finish required:

Powder coat finishes - EB, EN, ED, EP, EAB

Plated finishes - 3, 4, 9, 10, 108, 26, 26D

**Powder coat finishes only

Note: Specify arm being used

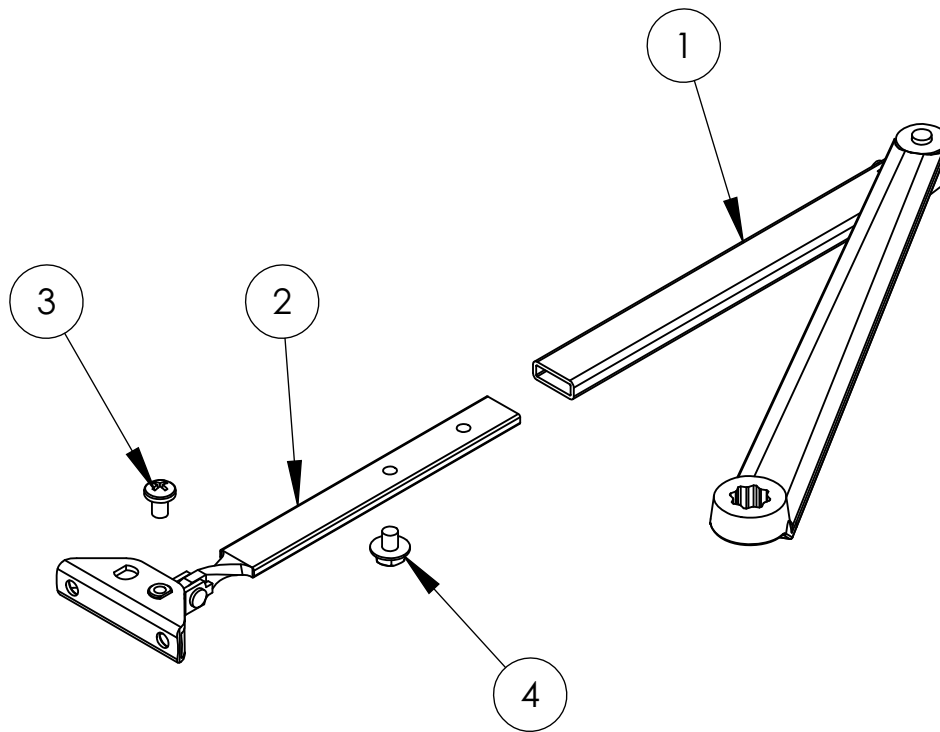


The warranty on SARGENT® products becomes void if the product is modified in any way, regardless of whether the modification causes or contributes to any alleged defect. If a SARGENT product is modified it may no longer meet industry certification and quality control standards applicable to the original product and is no longer a genuine SARGENT product.

Copyright ©2018 Sargent Manufacturing Company, an ASSA ABLOY Group company. All rights reserved. Reproduction in whole or in part without the express written permission of Sargent Manufacturing Company is prohibited.

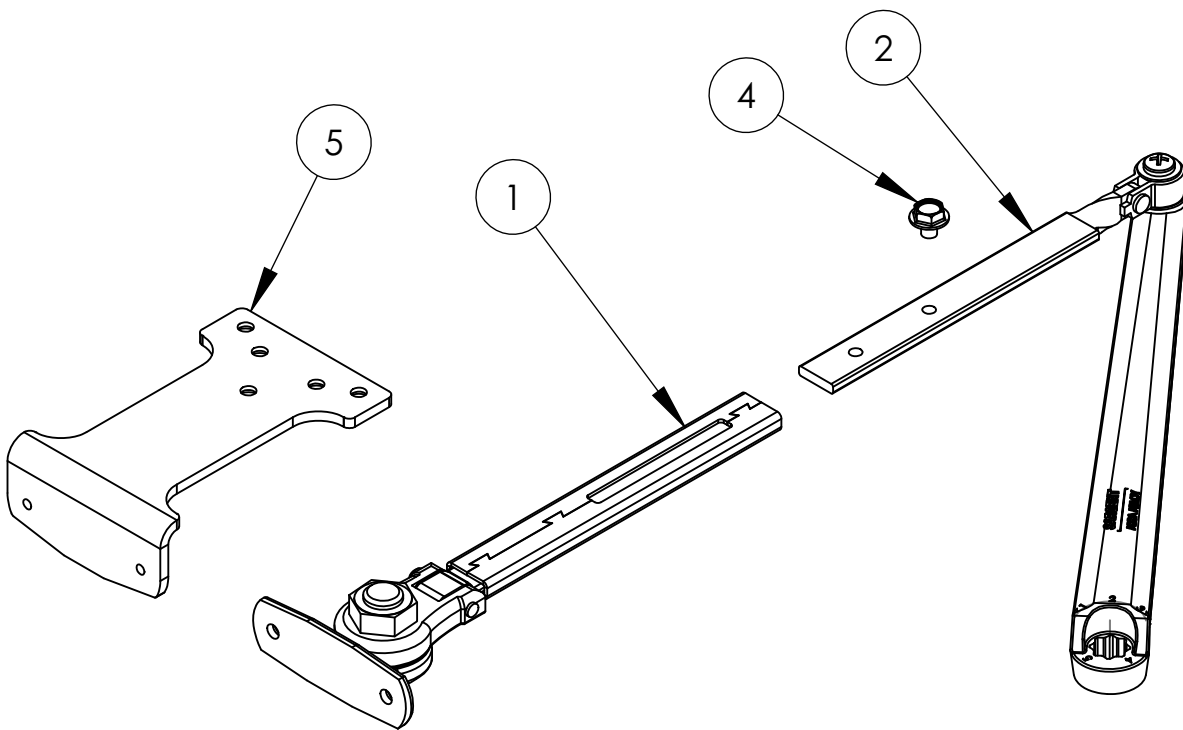
Item No.	Part No.	Description	Qty.
1	*63-2607	Main arm & link assembly	1
2	*63-2216	O foot assembly (Ref. swivel arm length 7 - 9/16") standard	1
	*63-2217	OZ foot assembly (Ref. swivel arm length 10 - 11/16")	
	*63-2218	OZA foot assembly (Ref. swivel arm length 13 - 13/16")	
3	*01-1140	1/4 -24 UNC x 3/8" length	1
4	61-0308	Swivel arm screw	1

*Specify finish



Finish Required: Powder Coat Finishes - EB, EN, ED, EP, EAB

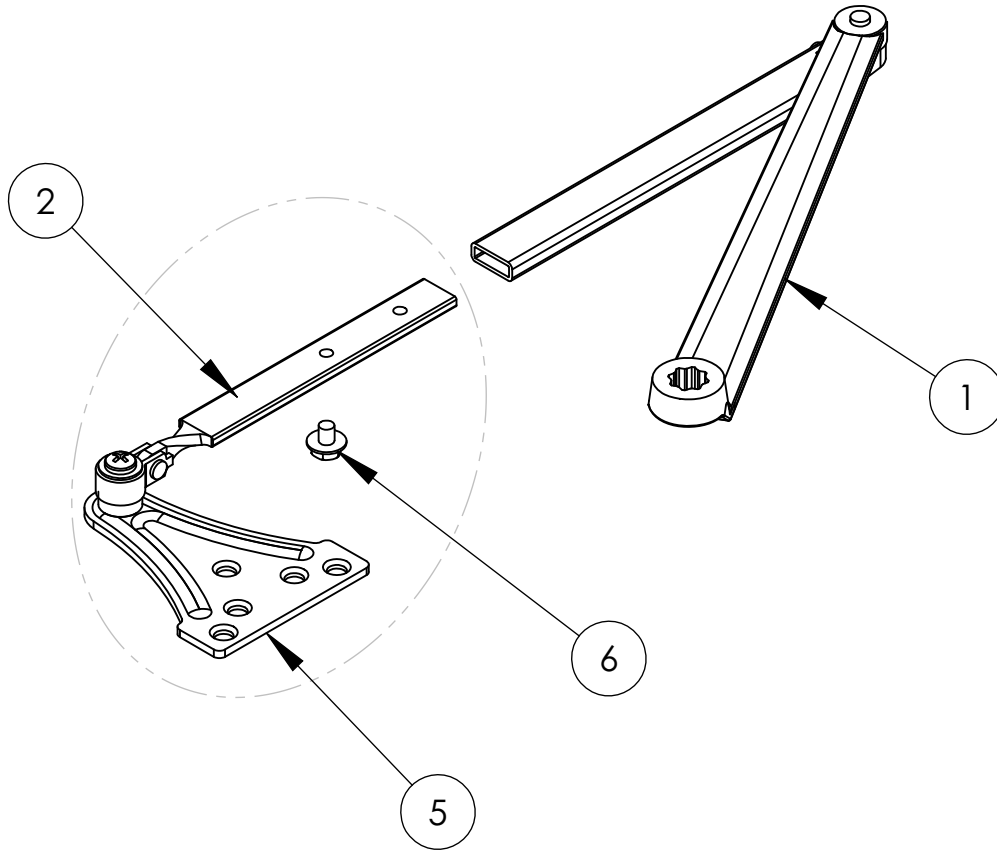
Item No.	Part No.	Description	Qty.
1	*61-2303	Foot Assembly	1
2	*63-3070	Main Arm & Swivel Assembly	1
3	*64-2407	H Arm Mounting Screw Pack (Not Shown)	1
4	*61-0308	Swivel Arm Screw	1
5	*125-PH9	Foot Bracket (Only Use For Ph9 Holder Arm)	1



The warranty on SARGENT® products becomes void if the product is modified in any way, regardless of whether the modification causes or contributes to any alleged defect. If a SARGENT product is modified it may no longer meet industry certification and quality control standards applicable to the original product and is no longer a genuine SARGENT product.

Copyright ©2018 Sargent Manufacturing Company, an ASSA ABLOY Group company. All rights reserved. Reproduction in whole or in part without the express written permission of Sargent Manufacturing Company is prohibited.

Item No.	Part No.	Description	Qty.
1	*63-2607	Main Arm & Link Assembly	1
2	*63-2271	Foot Assembly	1
3	*64-2407	P9 Arm Mounting Screw Pack (Not Shown)	1
4	*01-2300	Wood Screw #12 X 1-1/2" (Not Shown)	5
5	*125 - P9	Foot Bracket	1
6	*61-0308	Swivel Arm Screw	1

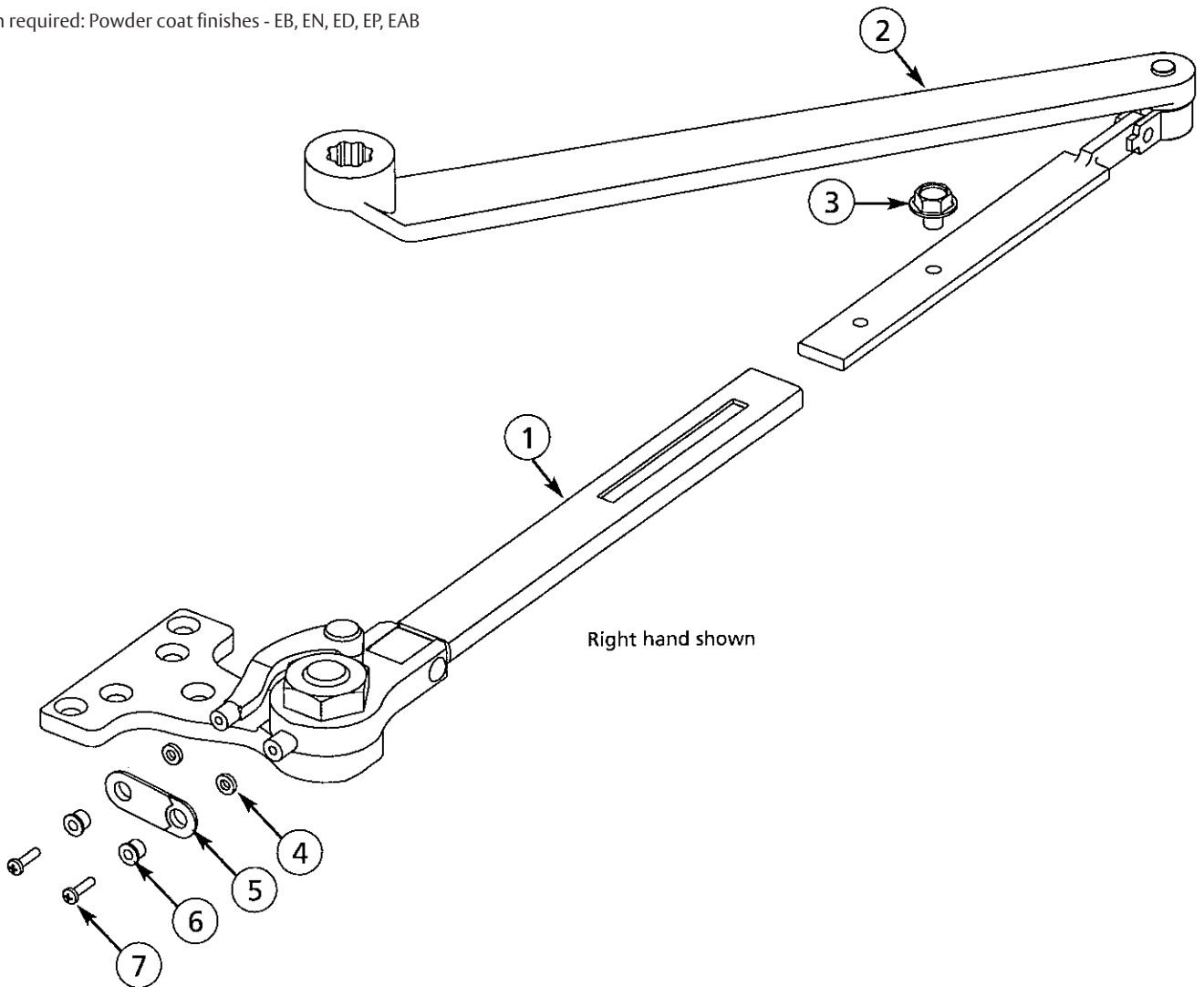


* Finish required: powder coat finishes - EB, EN, ED, EP, EAB
For plated finishes consult factory

25-PF9 Fusible Link Holder Arm

Item	Part No.	Description	Qty
1	*63-2487	Foot bracket assembly L.H.	1
	*63-2488	Foot bracket assembly R.H.	1
2	*63-2229	Main arm and link assembly	1
3	*61-0308	Swivel arm screw	1
4	61-0294	Washer	2
5	61-0007	Fusible link 165°	1
	61-0010	Fusible link 135°	1
6	61-0293	Bushing	2
7	01-1140	Screw	2
8	*64-2407	PF9 arm mounting screw pack (not shown)	1
9	*01-2300	Wood screw #12 x 1-1/2" (not shown)	5

* Finish required: Powder coat finishes - EB, EN, ED, EP, EAB

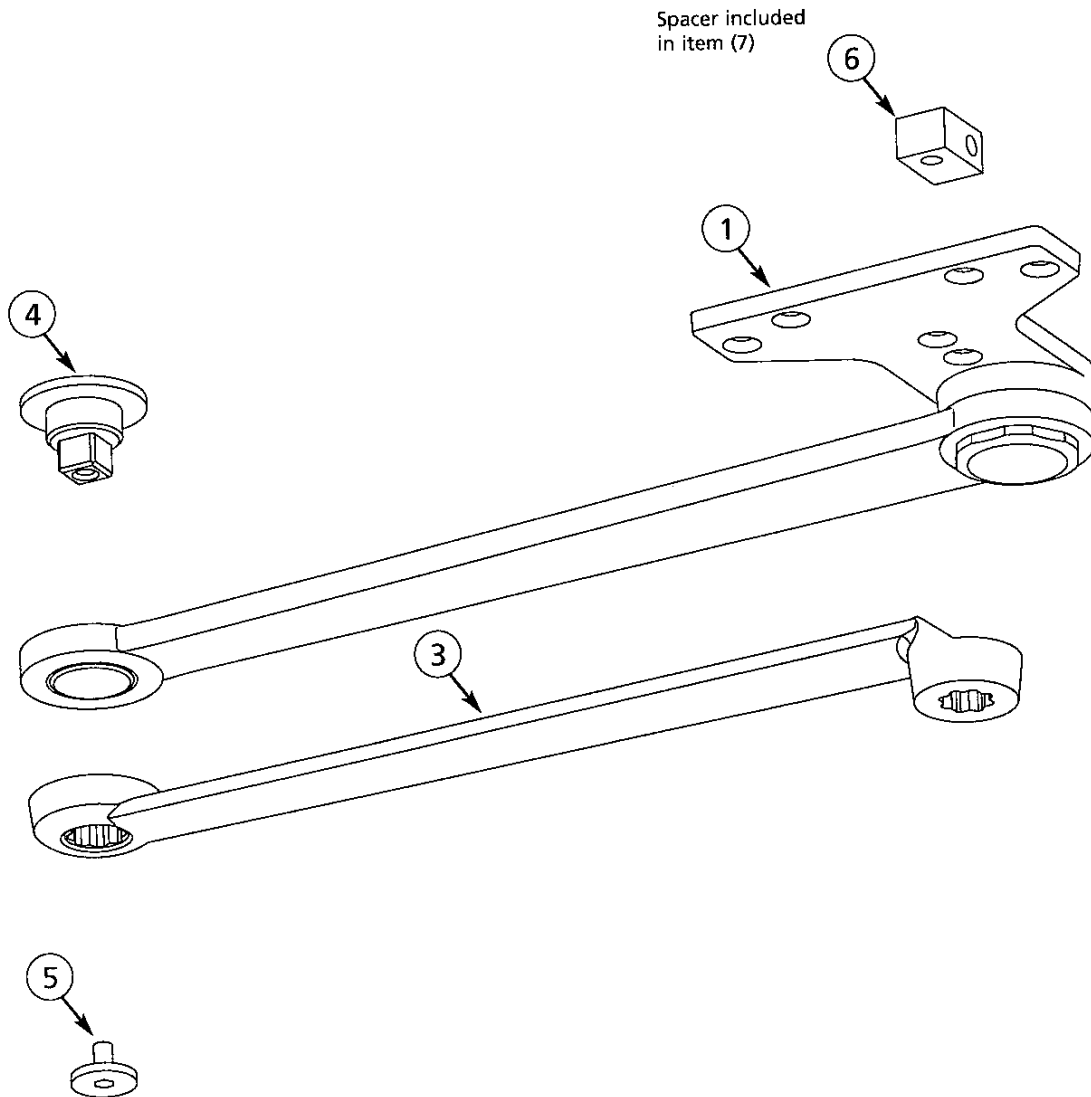


The warranty on SARGENT® products becomes void if the product is modified in any way, regardless of whether the modification causes or contributes to any alleged defect. If a SARGENT product is modified it may no longer meet industry certification and quality control standards applicable to the original product and is no longer a genuine SARGENT product.

Copyright ©2018 Sargent Manufacturing Company, an ASSA ABLOY Group company. All rights reserved. Reproduction in whole or in part without the express written permission of Sargent Manufacturing Company is prohibited.

Item	Part No.	Description	Qty
1	*63-3727	P10 arm and bracket assembly	1
2	*25-SP10	SP10 security arm assembly (not shown) consists of items 1, 3, 4, 5 permanently assembled	1
3	*63-0641	Main arm	1
4	*63-0700	Pivot	1
5	*01-9145	Screw (pivot)	1
6	63-0191	Spacer	1
7	*63-2392	PI 0/SP10 arm mounting screw pack (not shown)	1
8	*01-2300	Wood screw #12 x 1-1/2" (not shown)	4
9	*01-2303	Wood screw #12 x 2-1/4" (not shown)	1

*Finish required: Powder coat finishes - EB, EN, ED, EP, EAB
Plated finishes- 3, 4, 9, 10, 108, 26, 26D



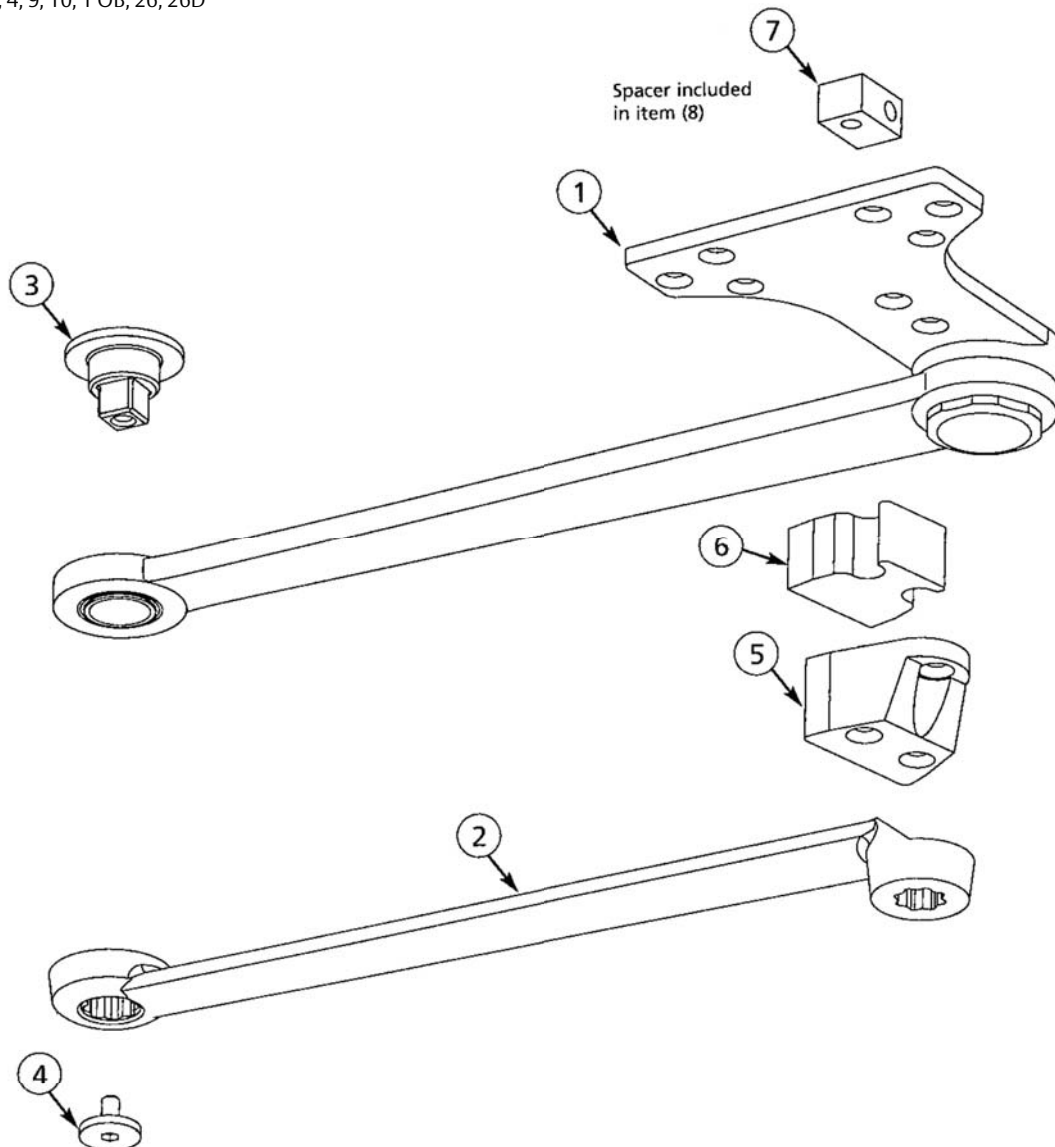
The warranty on SARGENT® products becomes void if the product is modified in any way, regardless of whether the modification causes or contributes to any alleged defect. If a SARGENT product is modified it may no longer meet industry certification and quality control standards applicable to the original product and is no longer a genuine SARGENT product.

Copyright ©2019 Sargent Manufacturing Company, an ASSA ABLOY Group company. All rights reserved. Reproduction in whole or in part without the express written permission of Sargent Manufacturing Company is prohibited.

25-CPS Heavy Duty Parallel Arm with Compression Stop

Item	Part No.	Description	Qty	Comments
1	*63-3830	CPS arm and bracket assembly	1	Included in item (8)
2	*63-0641	Main arm	1	
3	*63-0700	Pivot	1	
4	*01-9145	Screw (pivot)	1	
5	*63-0516	Bumper holder	1	
6	63-3493	Bumper	1	
7	63-0191	Spacer	1	
8	*63-2398	CPS arm mounting screwpack (not shown)	1	
9	*01-2300	Wood screw #12 x 1-1/2" (not shown)	4	
10	*01-2303	Wood screw #12 x 2-1/4" (not shown)	3	

* Finish required: Powder coat finishes - EB, EN, ED, EP, EAB
Plated finishes - 3, 4, 9, 10, 1 OB, 26, 26D



The warranty on SARGENT® products becomes void if the product is modified in any way, regardless of whether the modification causes or contributes to any alleged defect. If a SARGENT product is modified it may no longer meet industry certification and quality control standards applicable to the original product and is no longer a genuine SARGENT product.

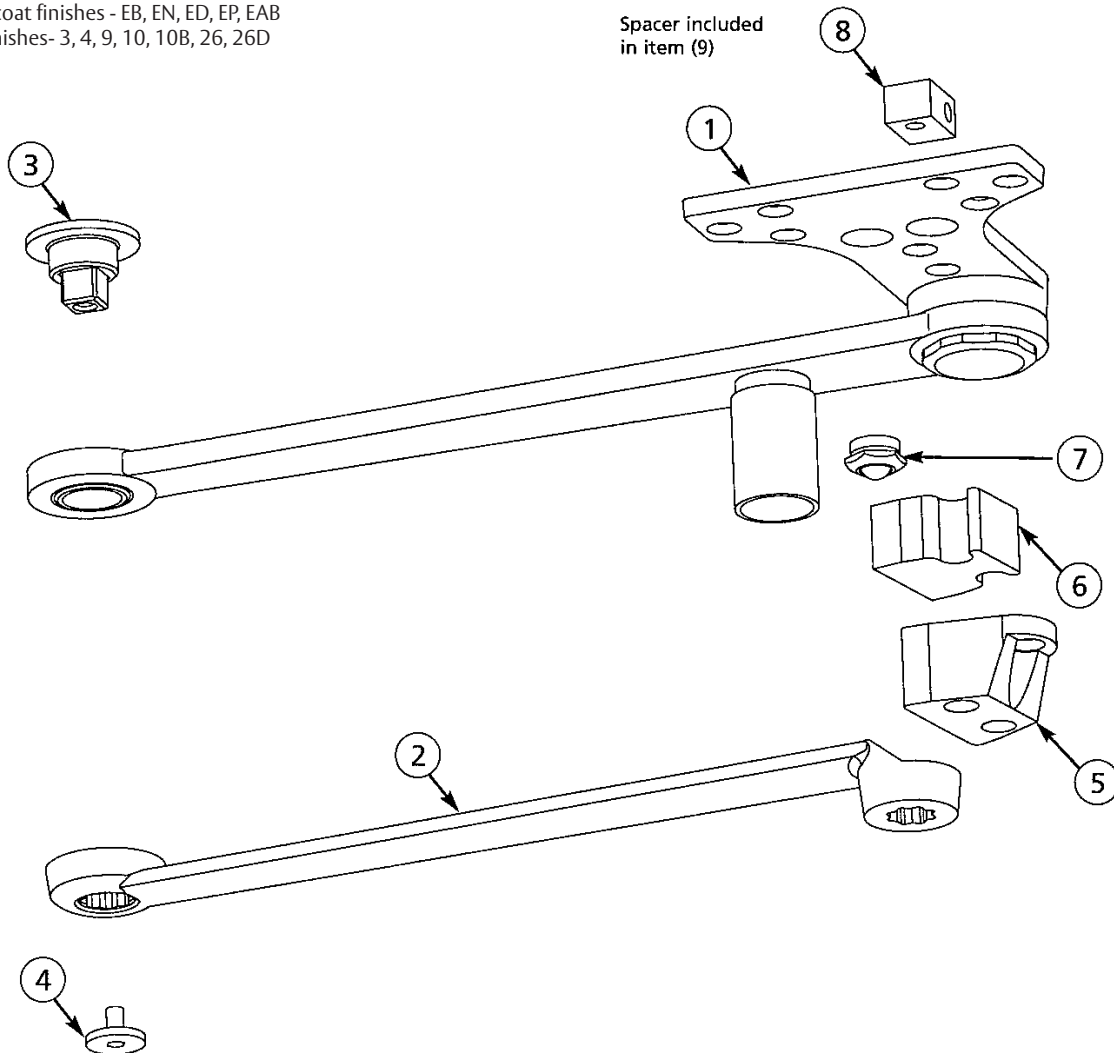
Copyright ©2018 Sargent Manufacturing Company, an ASSA ABLOY Group company. All rights reserved. Reproduction in whole or in part without the express written permission of Sargent Manufacturing Company is prohibited.

25-CPSH Heavy Duty Parallel Arm with Hold Open and Compression Stop

Item	Part No.	Description	Qty	Comments
1	*63-3836	CPSH arm assembly	1	
2	*63-0641	Main arm	1	
3	*63-0700	Pivot	1	
4	*01-9145	Screw (pivot)	1	
5	*63-0516	Bumper holder	1	Included in item (9)
6	63-3493	Bumper	1	
7	63-3788	Insert	1	
8	63-0191	Spacer	1	
9	*63-3487	CPSH arm mounting screw pack (not shown)	1	
10	*01-2300	Wood screw #12 x 1-1/2" (not shown)	4	
11	*01-2303	Wood screw #12 x 2-1/4" (not shown)	3	

*Finish required:

Powder coat finishes - EB, EN, ED, EP, EAB
Plated finishes- 3, 4, 9, 10, 10B, 26, 26D



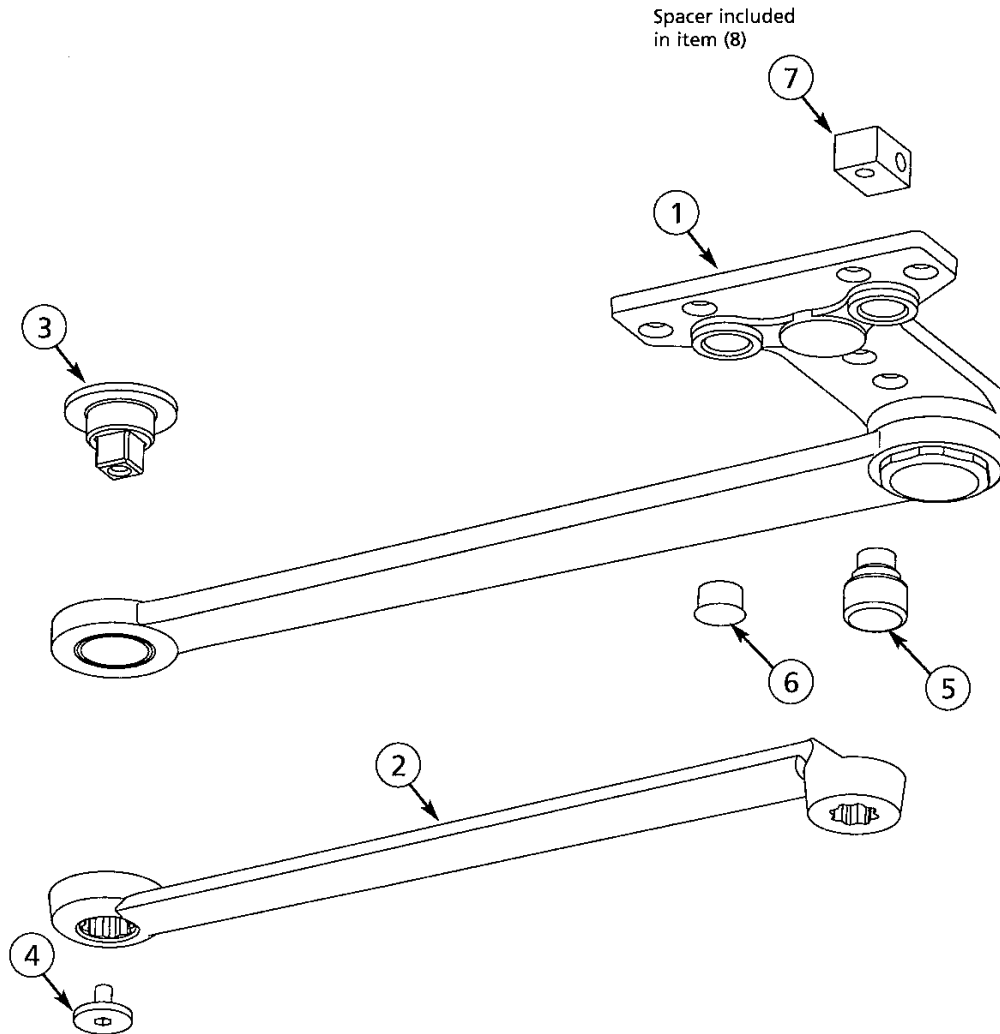
25-PS Heavy Duty Parallel Arm with Stop

Item	Part No.	Description	Qty
1	*63-3837	PS arm and bracket assembly	1
2	*63-0641	Main arm	1
3	*63-0700	Pivot	1
4	*01-9145	Screw (pivot)	1
5	*63-0211	Stop	1
6	01-0864	Hole plug	1
7	63-0191	Spacer	1
8	*63-2392	PS arm mounting screw pack (not shown)	1
9	*01-2300	Wood screw #12 x 1-1/2" (not shown)	4
10	*01-2303	Wood screw #12 x 2-1/4" (not shown)	1

* Finish required:

Powder coat finishes - EB, EN, ED, EP, EAB

Plated finishes - 3, 4, 9, 10, 10B, 26, 26D



The warranty on SARGENT® products becomes void if the product is modified in any way, regardless of whether the modification causes or contributes to any alleged defect. If a SARGENT product is modified it may no longer meet industry certification and quality control standards applicable to the original product and is no longer a genuine SARGENT product.

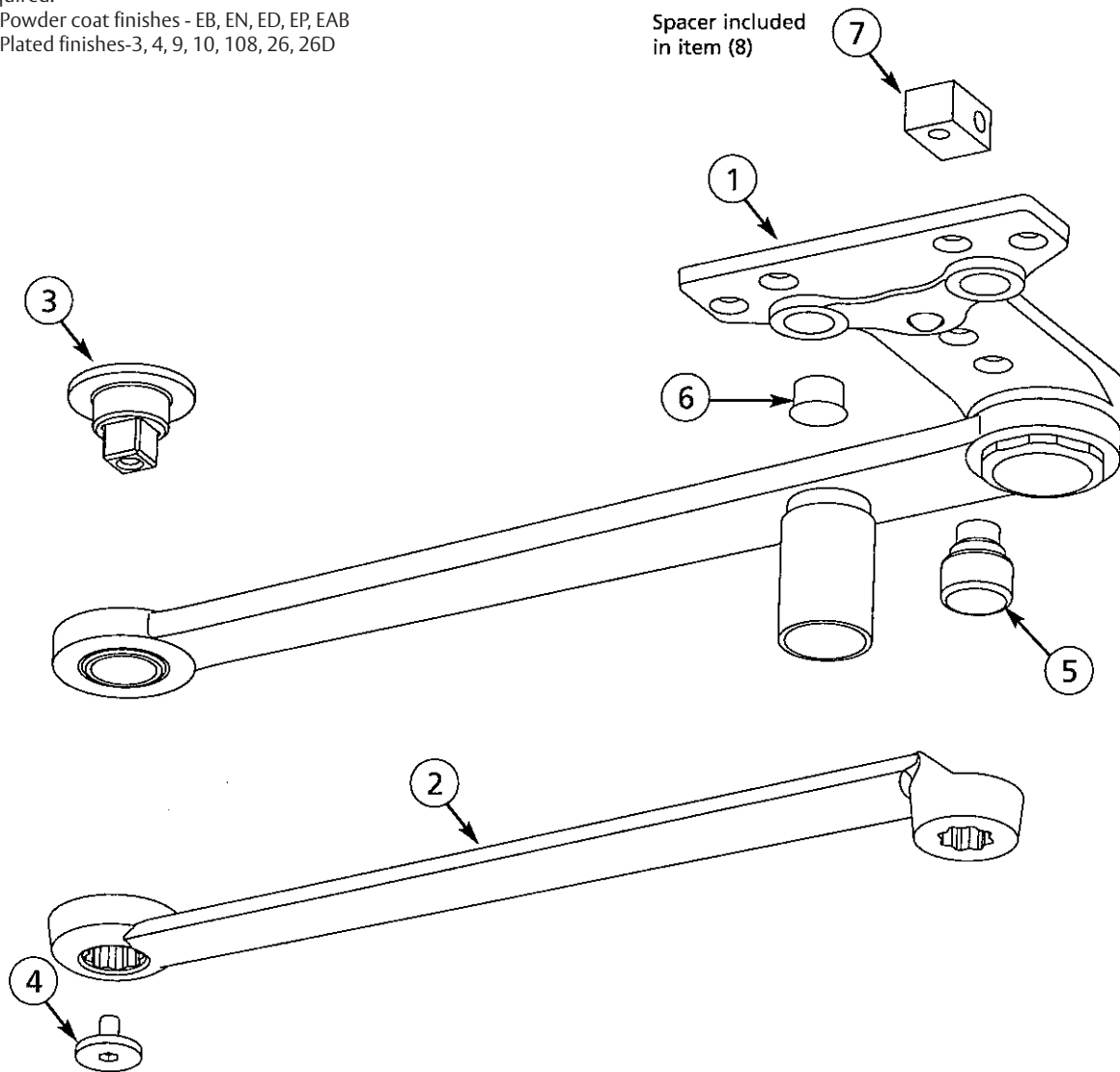
Copyright ©2018 Sargent Manufacturing Company, an ASSA ABLOY Group company. All rights reserved. Reproduction in whole or in part without the express written permission of Sargent Manufacturing Company is prohibited.

25-PSH Heavy Duty Parallel Arm with Hold Open and Stop

Item	Part No.	Description	Qty.
1	*63-3833	PSH arm and bracket assemblv	1
2	*63-0641	Main arm	1
3	*63-0700	Pivot	1
4	*01-9145	Screw (pivot)	1
5	*63-0211	Stop	1
6	01-0864	Hole plug	1
7	63-0191	Spacer	1
8	*63-2392	PSH arm mounting screw pack (not shown)	1
9	*01-2300	Wood screw #12 x 1-1/2" (not shown)	4
10	*01-2303	Wood screw #12 x 2-1/4" (not shown)	1

*** Finish required:**

Powder coat finishes - EB, EN, ED, EP, EAB
Plated finishes-3, 4, 9, 10, 108, 26, 26D

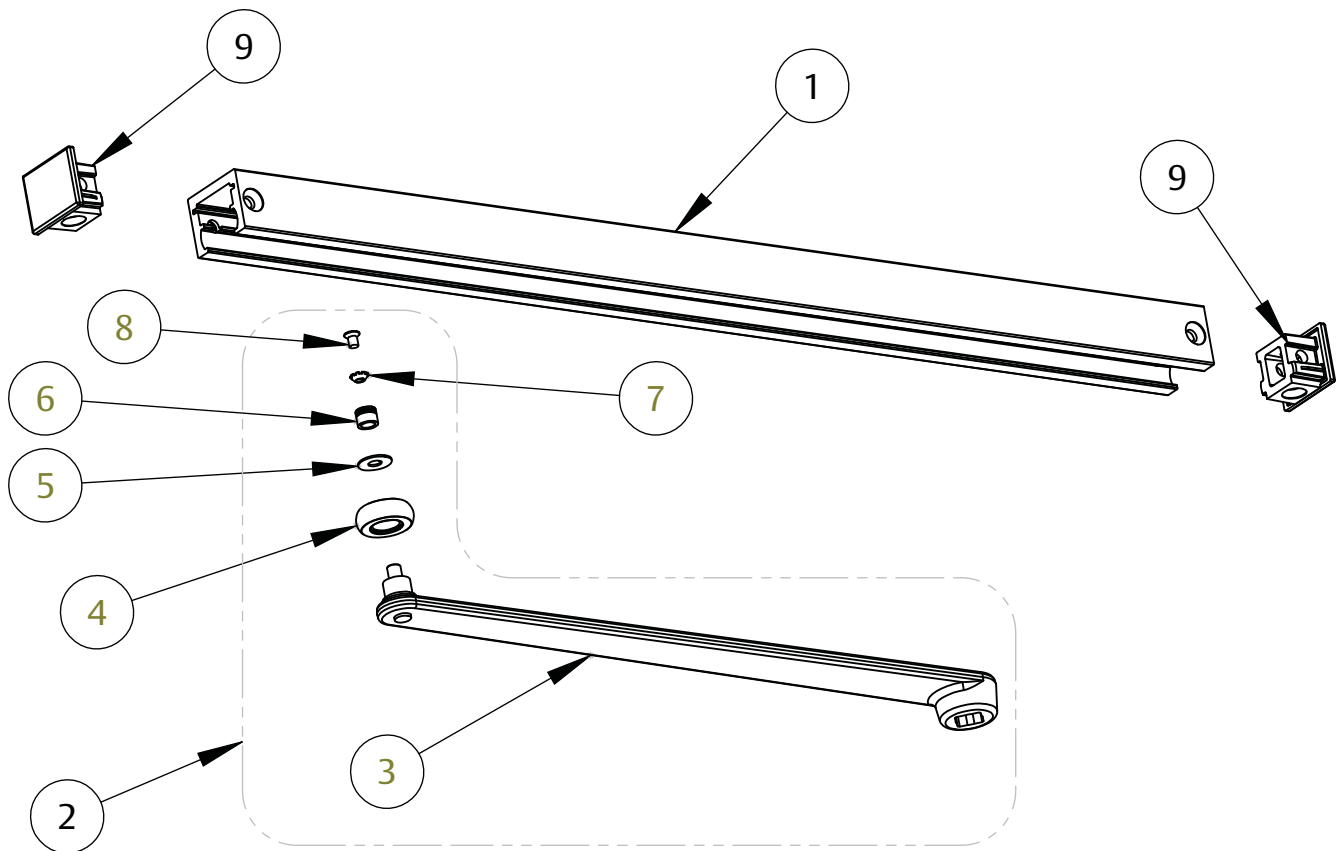


The warranty on SARGENT® products becomes void if the product is modified in any way, regardless of whether the modification causes or contributes to any alleged defect. If a SARGENT product is modified it may no longer meet industry certification and quality control standards applicable to the original product and is no longer a genuine SARGENT product.

Copyright ©2019 Sargent Manufacturing Company, an ASSA ABLOY Group company. All rights reserved. Reproduction in whole or in part without the express written permission of Sargent Manufacturing Company is prohibited.

25-OT Track Type Arm, Pull Side

Item No.	Part No.	Description	Qty.
1	63-0157	Channel Pull	1
2	63-3901	Main Arm Assembly (Track Type)	1
3	63-0629	Main Arm	1
4	63-3900	Roller Assembly	1
5	63-0687	Washer	1
6	63-0738	Roller Bushing	1
7	01-0930	Countersunk Lock Washer	1
8	01-1028	8-32 X 1/4 Flat Undercut Head Screw	1
9	63-0682	End Cap	2



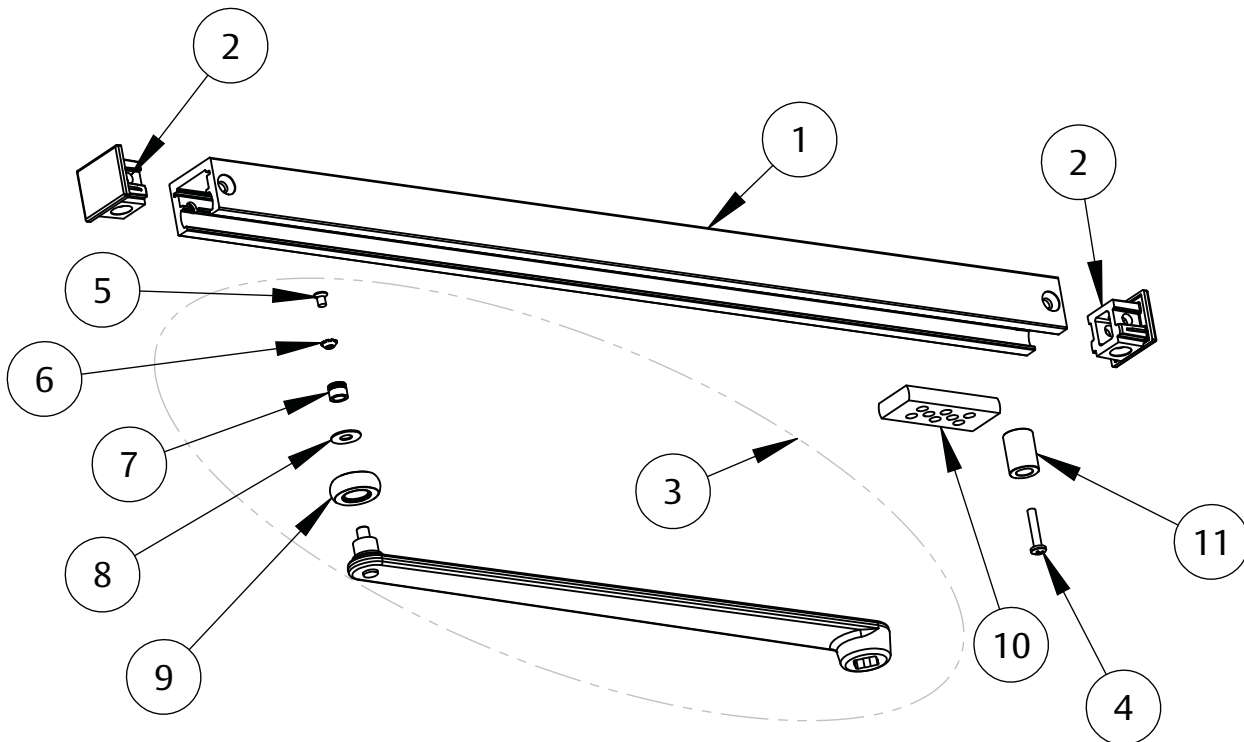
The warranty on SARGENT® products becomes void if the product is modified in any way, regardless of whether the modification causes or contributes to any alleged defect. If a SARGENT product is modified it may no longer meet industry certification and quality control standards applicable to the original product and is no longer a genuine SARGENT product.

Copyright ©2018 Sargent Manufacturing Company, an ASSA ABLOY Group company. All rights reserved. Reproduction in whole or in part without the express written permission of Sargent Manufacturing Company is prohibited.

25-OTB Track Type Arm
With Bumper, Pull Side

Item No.	Part No.	Description	Qty.
1	*63-0157	Channel Pull	1
2	*63-0682	End Cap	2
3	*63-3901	Main Arm Assembly (Track Type)	1
4	01-0134	#8-32 X 13/16" Phillips Pan Head Machine Screw	1
5	01-1028	#8-32 X 1/4" Flat Undercut Head Screw	1
6	01-0930	Countersunk Lock Washer	1
7	63-0738	Roller Bushing	1
8	63-0687	Washer	1
9	63-3900	Roller & Bearing Assembly	1
10	63-0377	Bumper	1
11	63-0396	Bumper Stop	1
12	*63-3482	Screw Pack (Not Shown)	1

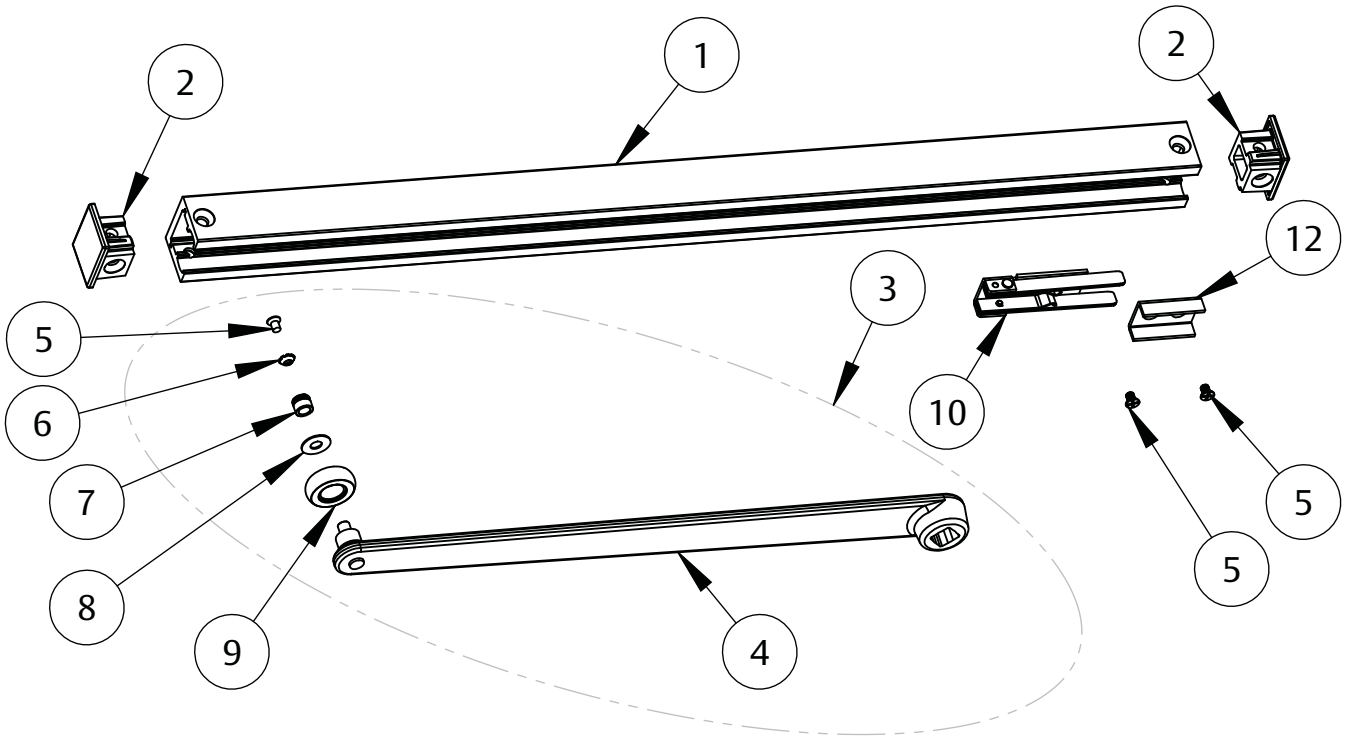
*Finish Required: Powder Coat Finishes - EB, EN, ED, EP, EA



25-HT Track Type Arm With Hold Open, Pull Side

Item No.	Part No.	Description	Qty.
1	*63-0157	Channel Pull	1
2	*63-0682	End Cap	2
3	*63-3901	Main Arm Assembly (Track Type)	1
4	*63-0629	Main Arm	1
5	01-1028	8-32 X 1/4" Flat Undercut Head Screw	3
6	01-0930	Countersunk Lock Washer	1
7	63-0738	Roller Bushing	1
8	63-0687	Washer	1
9	63-3900	Roller & Bearing Assembly	1
10	63-2063	Spring Slide Assembly	1
11	*63-3482	Screw Pack (Not Shown)	1
12	63-0678	Spring Support	1

* Finish Required: Powder Coat Finishes - EB, EN, ED, EP, EAB



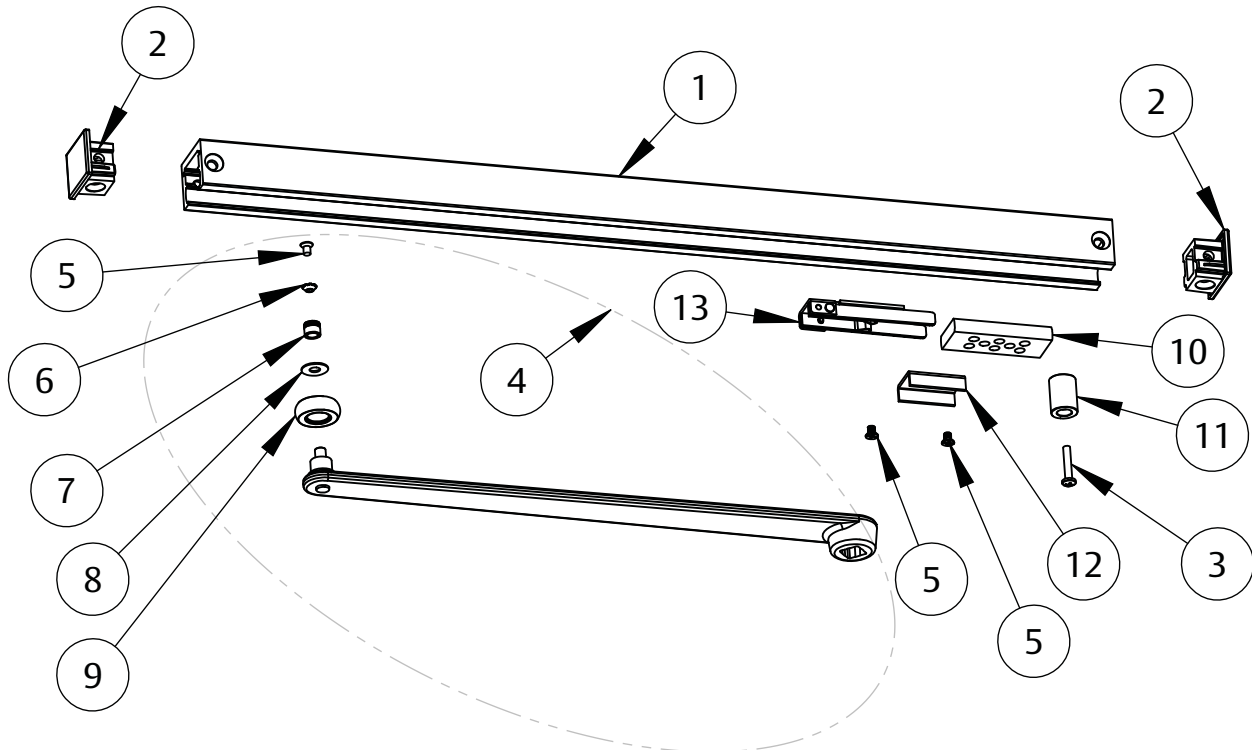
The warranty on SARGENT® products becomes void if the product is modified in any way, regardless of whether the modification causes or contributes to any alleged defect. If a SARGENT product is modified it may no longer meet industry certification and quality control standards applicable to the original product and is no longer a genuine SARGENT product.

Copyright ©2018 Sargent Manufacturing Company, an ASSA ABLOY Group company. All rights reserved. Reproduction in whole or in part without the express written permission of Sargent Manufacturing Company is prohibited.

25-HTB Track Type, Hold Open With Bumper, Pull Side

Item No.	Part No.	Description	Qty.
1	*63-0157	Channel Pull	1
2	*63-0682	End Cap	2
3	01-0134	#8-32 X 7/8" Ph Pn Head Machiine Screw	1
4	*63-3901	Main Arm Assembly (Track Type)	1
5	01-1028	#8-32 X 1/4" Flat Undercut Head Screw	3
6	01-0930	Countersunk Lock Washer	1
7	63-0738	Roller Bushing	1
8	63-0687	Washer	1
9	63-3900	Roller & Bearing Assembly	1
10	63-0377	Bumper	1
11	63-0396	Bumper Stop	1
12	63-0678	Spring Support	1
13	63-2063	Spring Slide Assembly	1
14	*63-3482	Screw Pack (Not Shown)	1

*Finish Required: Powder Coat Finishes - EB, EN, ED, EP, EAB



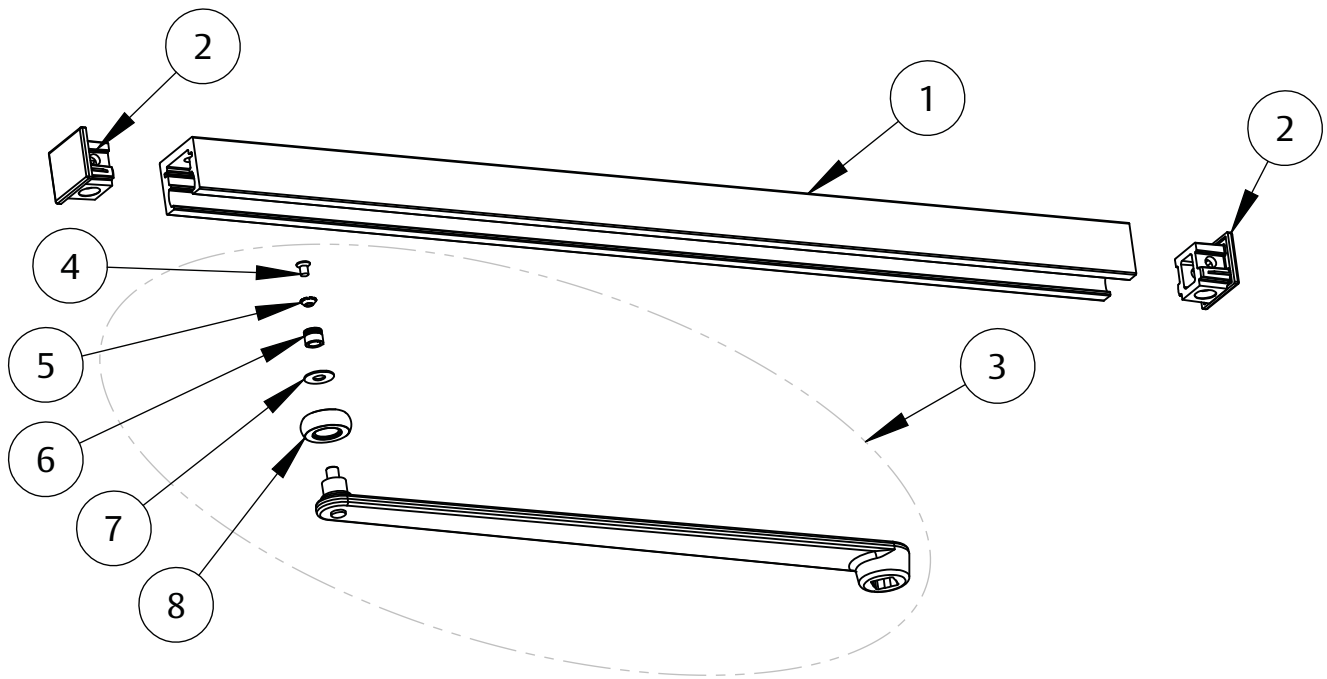
The warranty on SARGENT® products becomes void if the product is modified in any way, regardless of whether the modification causes or contributes to any alleged defect. If a SARGENT product is modified it may no longer meet industry certification and quality control standards applicable to the original product and is no longer a genuine SARGENT product.

Copyright ©2019 Sargent Manufacturing Company, an ASSA ABLOY Group company. All rights reserved. Reproduction in whole or in part without the express written permission of Sargent Manufacturing Company is prohibited.

25-POT Track Type Arm, Push Side

Item No.	Part No.	Description	Qty.
1	63-0159	*Channel Push	1
2	63-0682	*End Cap	2
3	63-3901	*Main Arm Assembly (Track Type)	1
4	01-1028	8-32 X 1/4" Flat Undercut Head Screw	1
5	01-0930	Countersunk Lock Washer	1
6	63-0738	Roller Bushing	1
7	63-0687	Washer	1
8	63-3900	Roller & Bearing Assembly	1
9	63-3482	*Screw Pack (Not Shown)	1

* Finish Required: Powder Coat Finishes - EB, EN, ED, EP, EAB



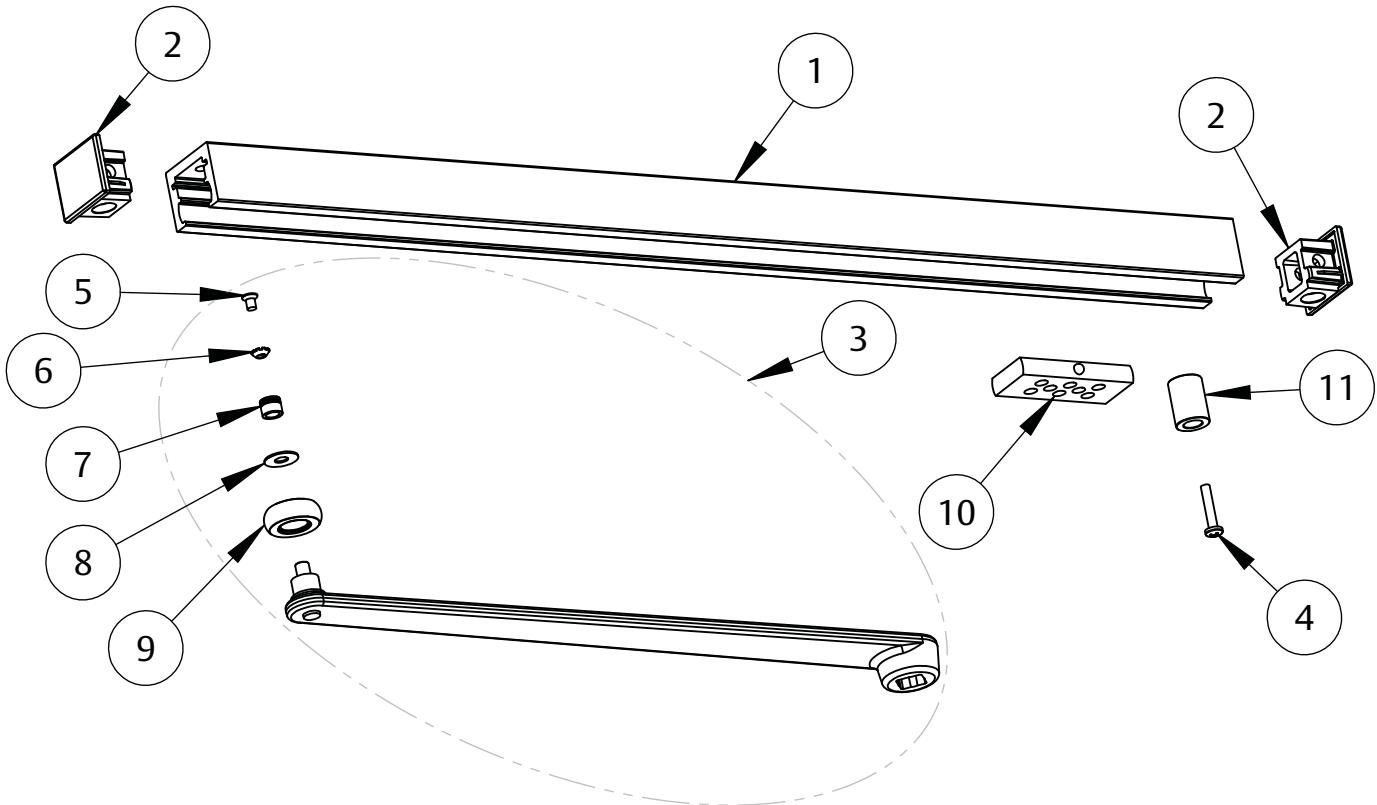
The warranty on SARGENT® products becomes void if the product is modified in any way, regardless of whether the modification causes or contributes to any alleged defect. If a SARGENT product is modified it may no longer meet industry certification and quality control standards applicable to the original product and is no longer a genuine SARGENT product.

Copyright ©2018 Sargent Manufacturing Company, an ASSA ABLOY Group company. All rights reserved. Reproduction in whole or in part without the express written permission of Sargent Manufacturing Company is prohibited.

**25-POTB Track Type Arm With Bumper,
Push Side**

Item No.	Part No.	Description	Qty.
1	*63-0159	Channel Push	1
2	*63-0682	End Cap	2
3	*63-3901	Main Arm Assembly (Track Type)	1
4	01-0134	#8-32 X 7/8" Phillips Pan Head Machine Screw	1
5	01-1028	8-32 X 1/4" Flat Undercut Head Screw	1
6	01-0930	Countersunk Lock Washer	1
7	63-0738	Roller Bushing	1
8	63-0687	Washer	1
9	63-3900	Roller & Bearing Assembly	1
10	63-0377	Bumper	1
11	63-0396	Bumper Stop	1
12	*63-3482	Screw Pack (Not Shown)	1

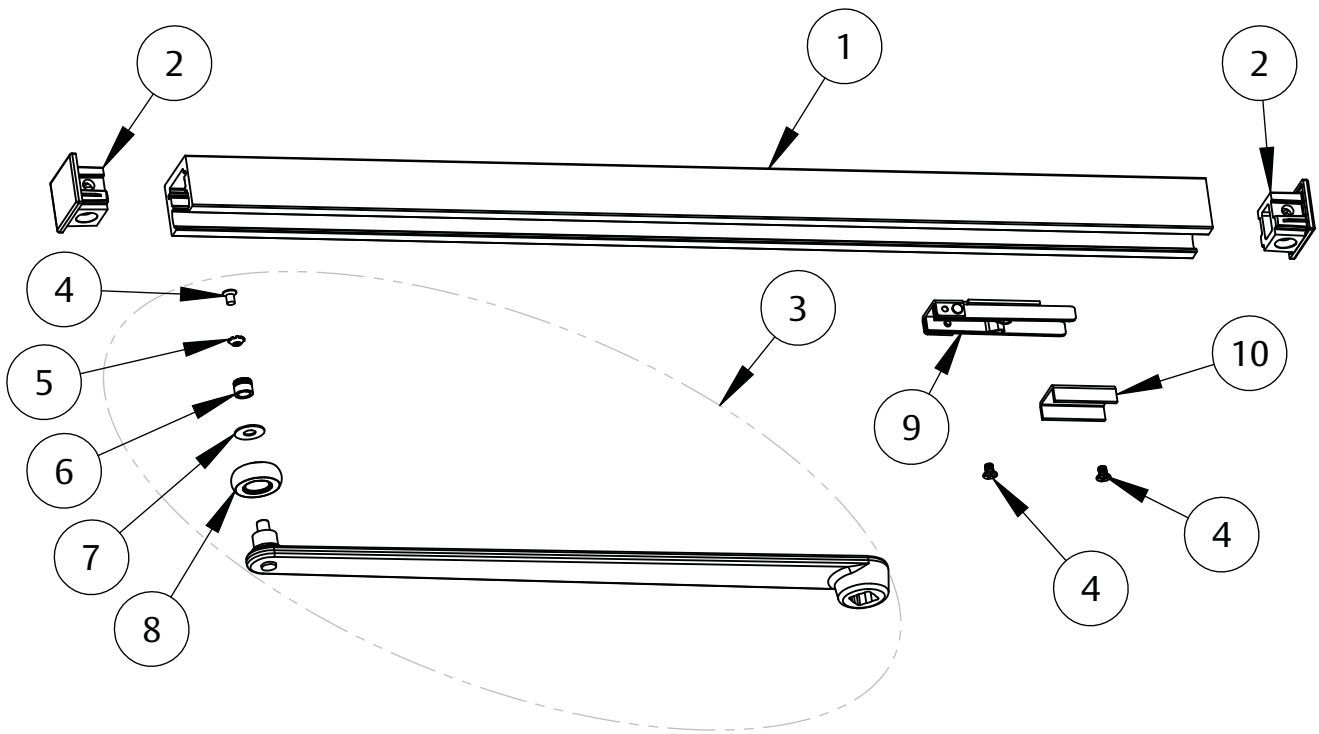
*Finish Required: Powder Coat Finishes - EB, EN, ED, EP, EAB



**25-PHT Track Type Arm With Hold Open,
Push Side**

Item No.	Part No.	Description	Qty.
1	*63-0159	Channel Push	1
2	*63-0682	End Cap	2
3	*63-3901	Main Arm Assembly (Track Type)	1
4	01-1028	8-32 X 1/4" Flat Undercut Head Screw	3
5	01-0930	Countersunk Lock Washer	1
6	63-0738	Roller Bushing	1
7	63-0687	Washer	1
8	63-3900	Roller & Bearing Assembly	1
9	63-2063	Spring Slide Assembly	1
10	63-0678	Spring Support	1
11	*63-3482	Screw Pack (Not Shown)	1

*Finish Required: Powder Coat Finishes - EB, EN, ED, EP, EAB



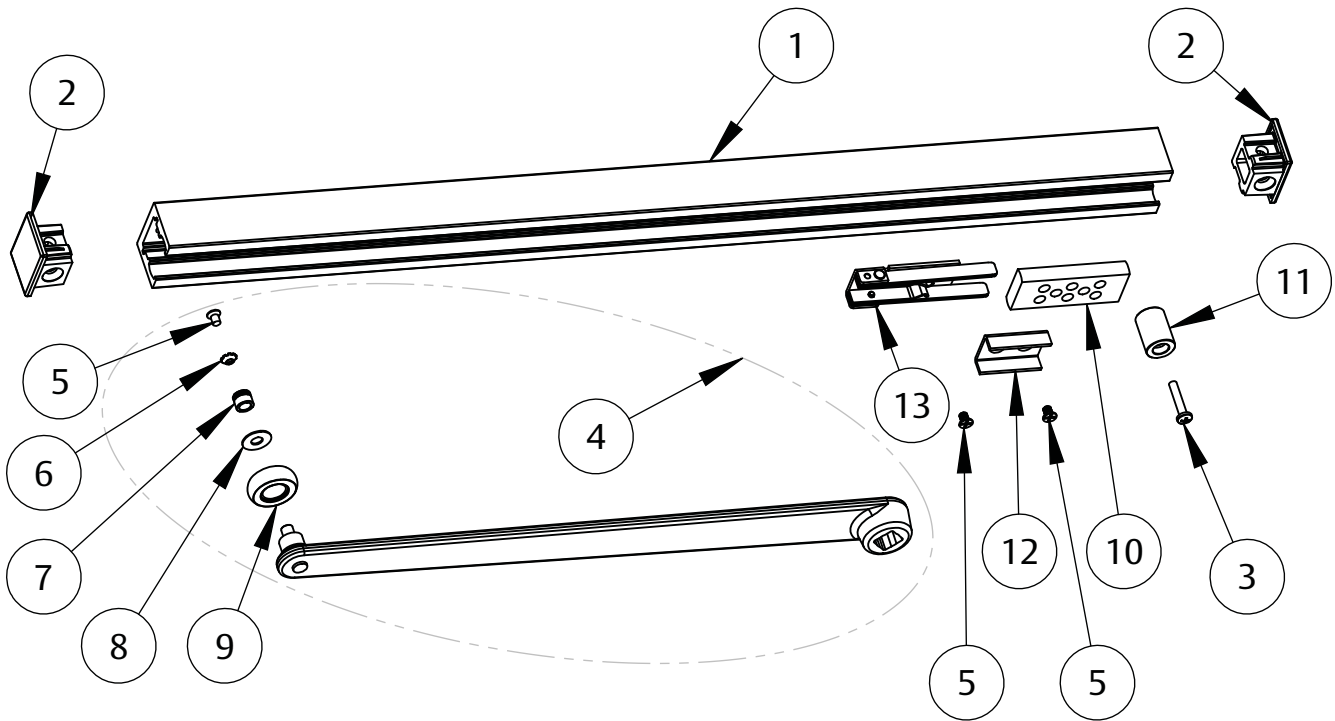
The warranty on SARGENT® products becomes void if the product is modified in any way, regardless of whether the modification causes or contributes to any alleged defect. If a SARGENT product is modified it may no longer meet industry certification and quality control standards applicable to the original product and is no longer a genuine SARGENT product.

Copyright ©2018 Sargent Manufacturing Company, an ASSA ABLOY Group company. All rights reserved. Reproduction in whole or in part without the express written permission of Sargent Manufacturing Company is prohibited.

**25-PHTB Track Type Arm, Hold Open
With Bumper, Push Side**

Item No.	Part No.	Description	Qty.
1	*63-0159	Channel Push	1
2	*63-0682	End Cap	2
3	01-0134	#8-32 X 7/8" Ph Pn Head Machine Screw	1
4	*63-3901	Main Arm Assembly (Track Type)	1
5	01-1028	#8-32 X 1/4" Flat Undercut Head Screw	3
6	01-0930	Countersunk Lock Washer	1
7	63-0738	Roller Bushing	1
8	63-0687	Washer	1
9	63-3900	Roller & Bearing Assembly	1
10	63-0377	Bumper	1
11	63-0396	Bumper Stop	1
12	63-0678	Spring Support	1
13	63-2063	Spring Slide Assembly	1
14	*63-3482	Screw Pack (Not Shown)	1

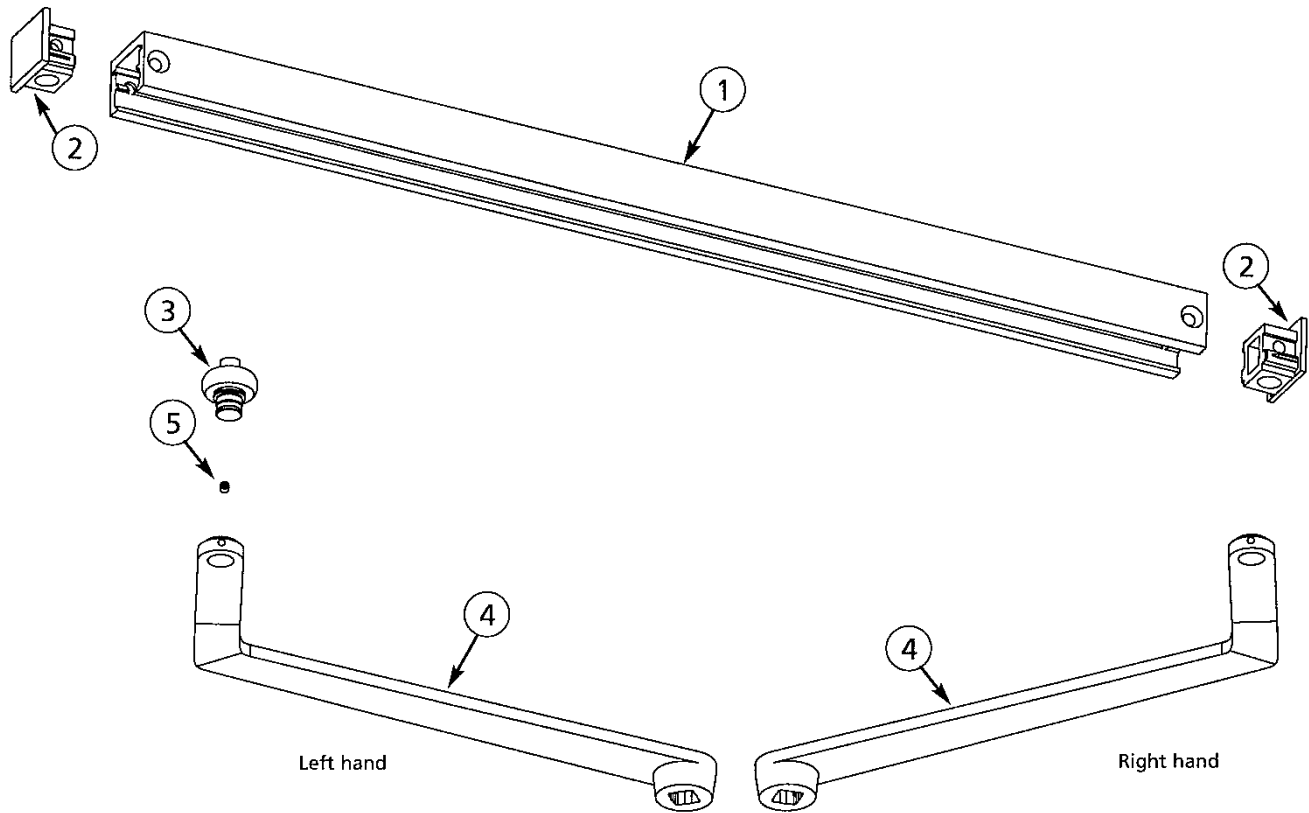
*Finish Required: Powder Coat Finishes - EB, EN, ED, EP, EAB



25-0D Track Type Arm, Double Egress

Item	Part No.	Description	Qty
1	*63-0157	Channel - pull	1
2	*63-0682	Channel end cap	2
3	63-3905	Roller assembly	1
	*63-0627	Double egress arm (left hand)	1
4	*63-0628	Double egress arm (right hand)	1
5	01-0287	Socket set screw	1
6	*63-3482	Screw pack (not shown)	1

*Finish required: Powder coat finishes - EB, EN, ED, EP, EAB



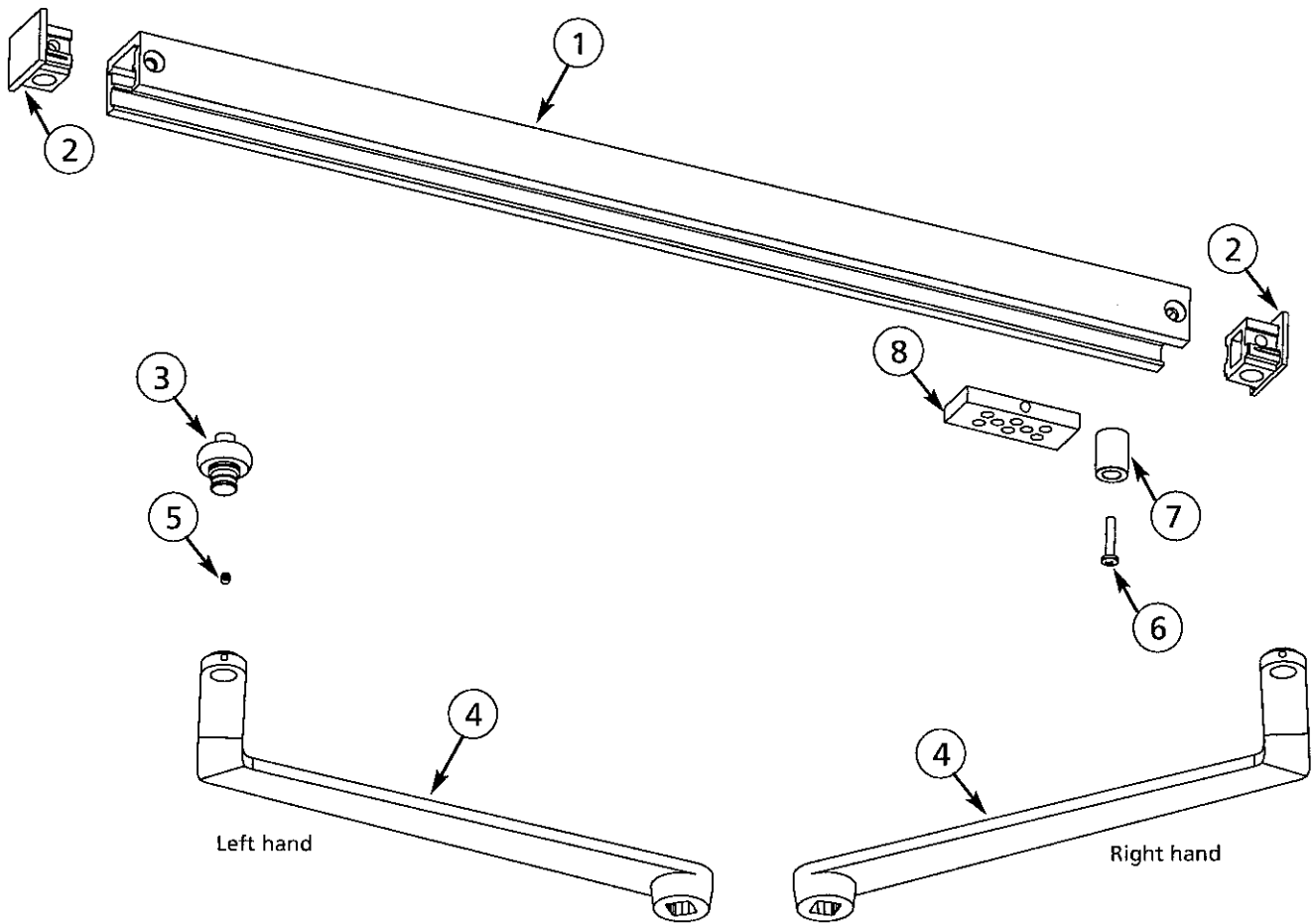
The warranty on SARGENT® products becomes void if the product is modified in any way, regardless of whether the modification causes or contributes to any alleged defect. If a SARGENT product is modified it may no longer meet industry certification and quality control standards applicable to the original product and is no longer a genuine SARGENT product.

Copyright ©2018 Sargent Manufacturing Company, an ASSA ABLOY Group company. All rights reserved. Reproduction in whole or in part without the express written permission of Sargent Manufacturing Company is prohibited.

25-0DB Track Type Arm with Bumper, Double Egress

Item	Part No.	Description	Qty
1	* 63-0157	Channel - pull	1
2	* 63-0682	Channel end cap	2
3	63-3905	Roller assembly	1
	* 63-0627	Double egress arm (left hand)	1
4	* 63-0628	Double egress arm (right hand)	1
5	01-0287	Socket set screw	1
6	01-0134	#8-32 x 13/16" Phillips pan head machine screw	1
7	63-0396	Bumper stop	1
8	63-0377	Bumper	1
9	* 63-3482	Screw pack (not shown)	1

*Finish required: Powder coat finishes - EB, EN, ED, EP, EAB



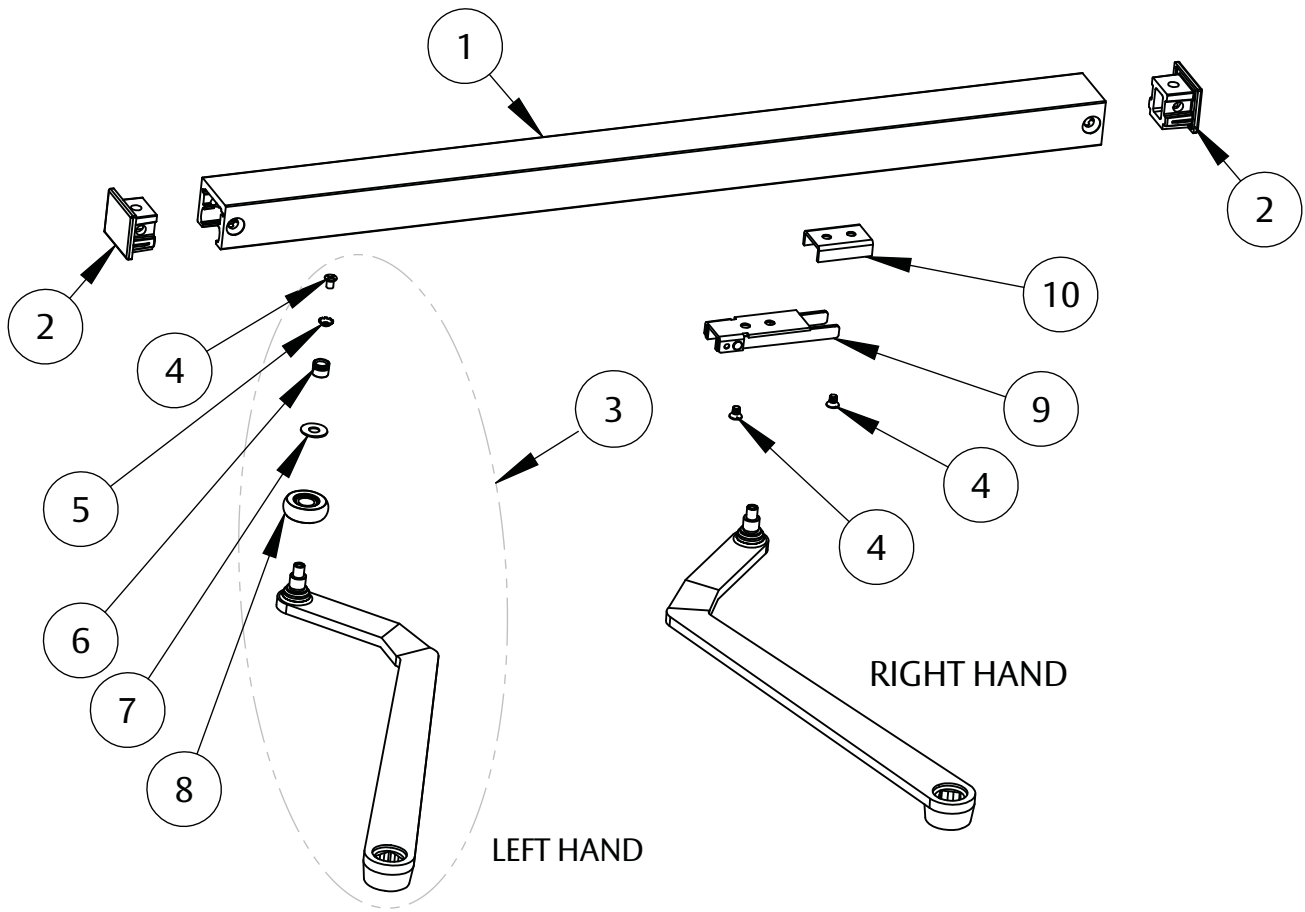
The warranty on SARGENT® products becomes void if the product is modified in any way, regardless of whether the modification causes or contributes to any alleged defect. If a SARGENT product is modified it may no longer meet industry certification and quality control standards applicable to the original product and is no longer a genuine SARGENT product.

Copyright ©2019 Sargent Manufacturing Company, an ASSA ABLOY Group company. All rights reserved. Reproduction in whole or in part without the express written permission of Sargent Manufacturing Company is prohibited.

25-HD Track Type Arm With Hold Open, Double Egress

Item No.	Part No.	Description	Qty.
1	*63-0157	Channel Pull	1
2	*63-0682	End Cap	2
3	*63-3656	Double Egress Arm Assembly (Left Hand)	1
	*63-3657	Double Egress Arm (Right Hand)	
4	01-1028	8-32 X 1/4" Flat Undercut Head Screw	2
5	01-0930	Countersunk Lock Washer	1
6	63-0738	Roller Bushing	1
7	63-0687	Washer	1
8	63-3900	Roller & Bearing Assembly	1
9	63-2063	Spring Slide Assembly	1
10	63-0678	Spring Support	1
11	*63-3482	Screw Pack (Not Shown)	1

*Finish Required: Powder Coat Finishes - EB, EN, ED, EP, EAB

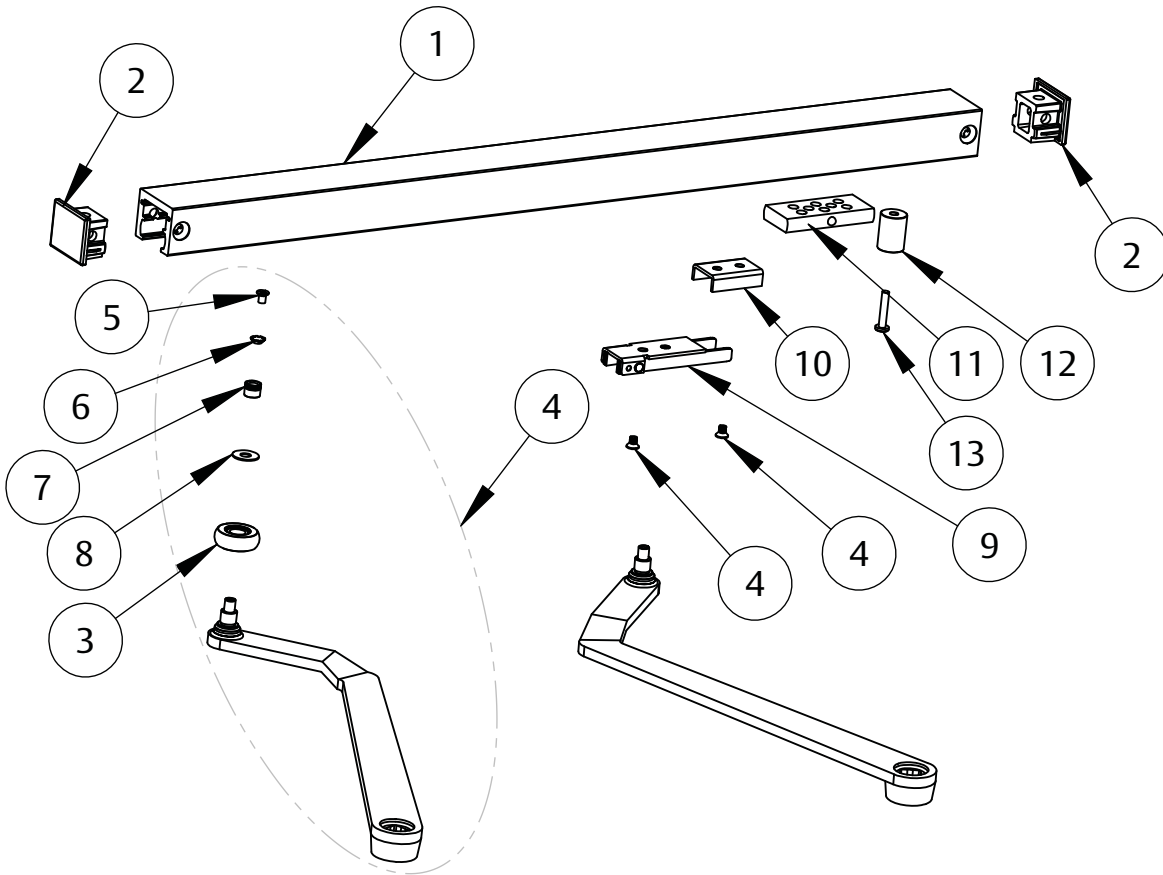


The warranty on SARGENT® products becomes void if the product is modified in any way, regardless of whether the modification causes or contributes to any alleged defect. If a SARGENT product is modified it may no longer meet industry certification and quality control standards applicable to the original product and is no longer a genuine SARGENT product.

Copyright ©2018 Sargent Manufacturing Company, an ASSA ABLOY Group company. All rights reserved. Reproduction in whole or in part without the express written permission of Sargent Manufacturing Company is prohibited.

Item No.	Part No.	Description	Qty.
1	*63-0157	Channel Pull	1
2	*63-0682	End Cap	2
3	63-3900	Roller & Bearing Assembly	1
4	*63-3656	Double Egress Arm Assembly (Left Hand)	1
	*63-3657	Double Egress Arm Assembly (Right Hand)	
5	01-1028	8-32 X 1/4 Flat Undercut Head Screw	3
6	01-0930	Countersunk Lock Washer	1
7	63-0738	Roller Bushing	1
8	63-0687	Washer	1
9	63-2063	Spring Slide Assembly	1
10	63-0678	Spring Support	1
11	63-0377	Bumper	1
12	63-0396	Bumper Stop	1
13	01-0134	#8-32 X 13/16" Phillips Pan Head Machine Screw	1
14	*63-3482	Screw Pack (Not Shown) 1	

*Finish Required: Powder Coat Finishes - EB, EN, ED, EP & EAB



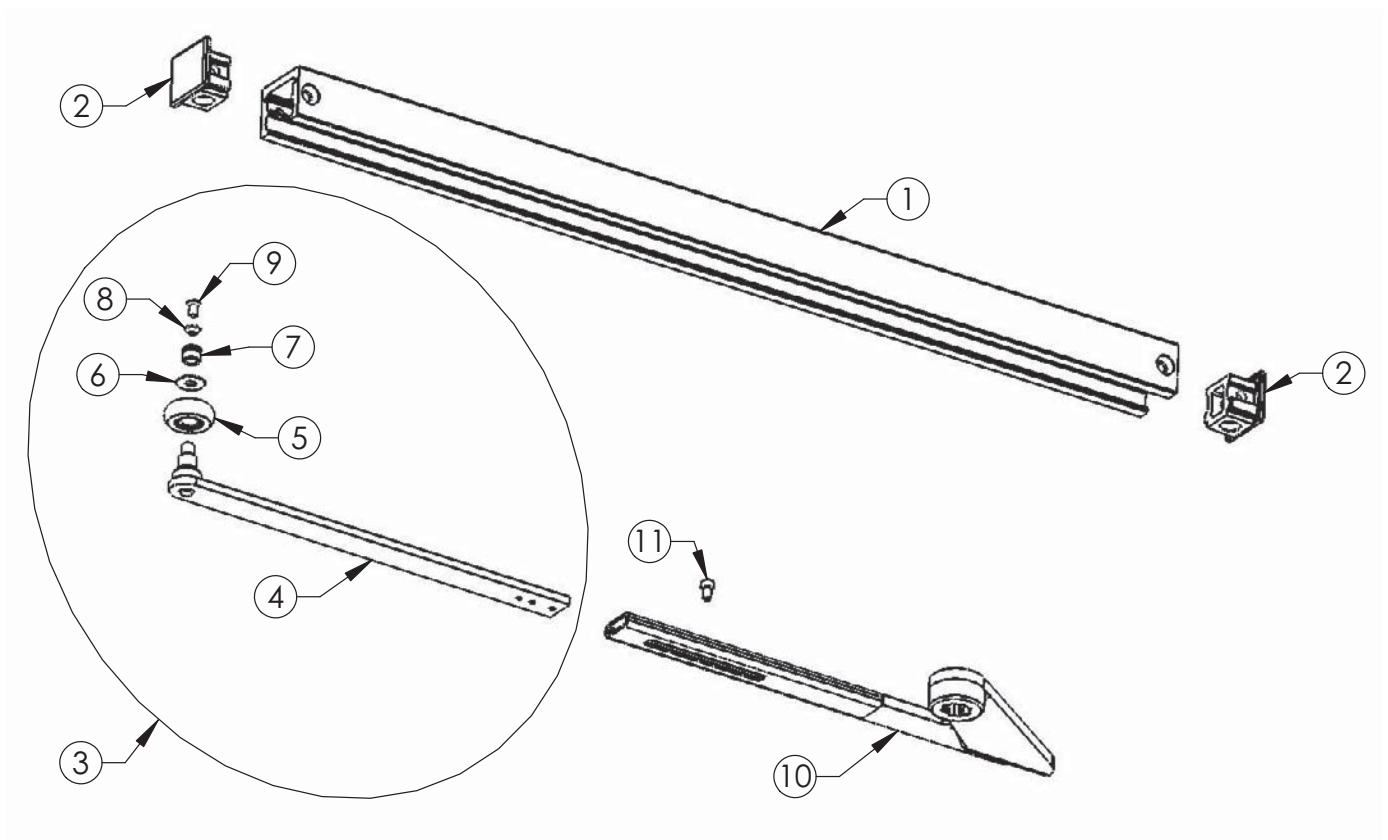
The warranty on SARGENT® products becomes void if the product is modified in any way, regardless of whether the modification causes or contributes to any alleged defect. If a SARGENT product is modified it may no longer meet industry certification and quality control standards applicable to the original product and is no longer a genuine SARGENT product.

Copyright ©2019 Sargent Manufacturing Company, an ASSA ABLOY Group company. All rights reserved. Reproduction in whole or in part without the express written permission of Sargent Manufacturing Company is prohibited.

25-ODS Arm And Track Assembly
-Use With 351 Series Door Closer Only-

Item	Part No.	Description	Qty.
1	63-0157*	Channel	1
2	63-0682*	End Cap	2
3	63-4206*	Arm And Roller Assembly	1
4	63-4276*	Arm And Stud Assembly	1
5	63-3900	Roller Assembly	1
6	63-0687	Washer	1
7	63-0738	Bushing	1
8	01-0930	Countersunk Lock Washer	1
9	01-1028	Flat Head Machine Screw 8-32 x 5/16"	1
10	63-3056*	Double Egress Arm, Right Hand	1
	63-3057*	Double Egress Arm, Left Hand	1
11	01-1463	Adjusting Rod Screw	1
12	63-4212*	Mounting Screw Pack (Not Shown)	1

*Finish Required (Finishes: EB, EN, ED, EP, EAB)



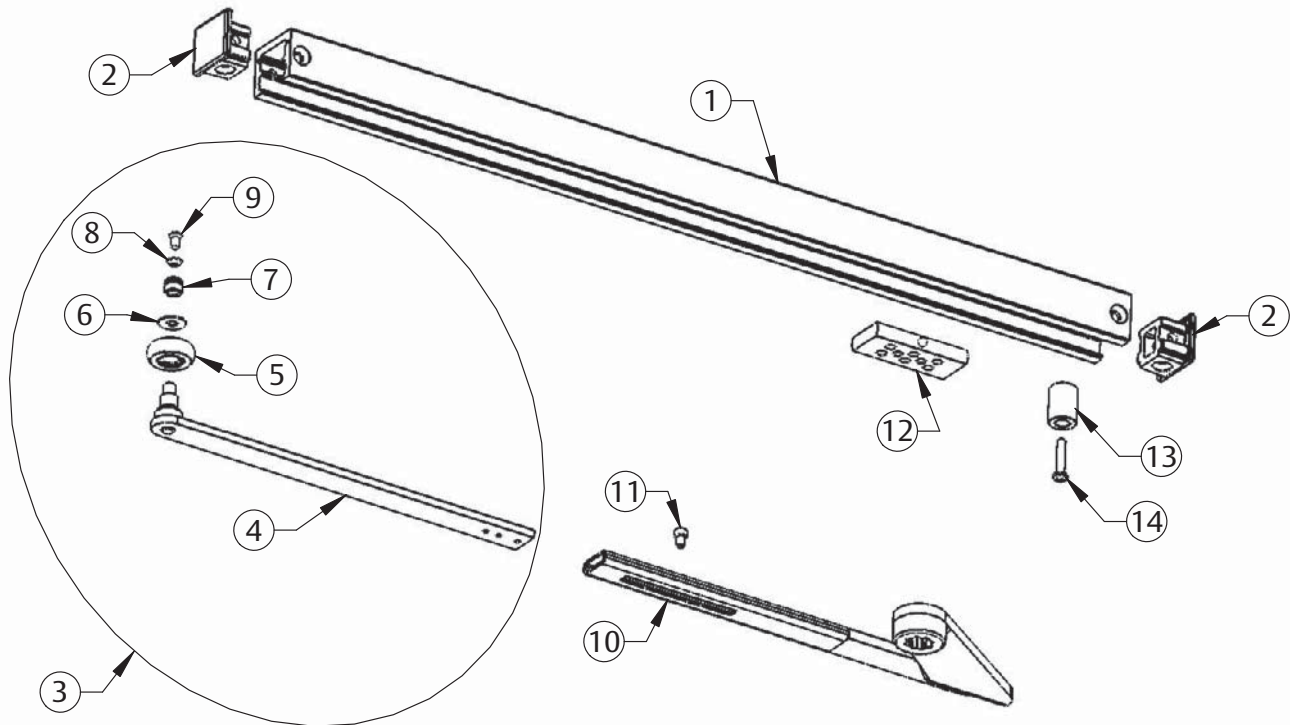
The warranty on SARGENT® products becomes void if the product is modified in any way, regardless of whether the modification causes or contributes to any alleged defect. If a SARGENT product is modified it may no longer meet industry certification and quality control standards applicable to the original product and is no longer a genuine SARGENT product.

Copyright ©2018 Sargent Manufacturing Company, an ASSA ABLOY Group company. All rights reserved. Reproduction in whole or in part without the express written permission of Sargent Manufacturing Company is prohibited.

25- ODSB Arm And Track Assembly
- Use With 351 Series Door Closer Only -

Item	Part No.	Description	Qty.
1	63-0157*	Channel	1
2	63-0682*	End Cap	2
3	63-4206*	Arm And Roller Assembly	1
4	63-4276*	Arm And Stud Assembly	1
5	63-3900	Roller Assembly	1
6	63-0687	Washer	1
7	63-0738	Bushing	1
8	01-0930	Countersunk Lock Washer	1
9	01-1028	Flat Head Machine Screw 8-32 x 5/16"	1
10	63-3056*	Double Egress Arm, Right Hand	1
	63-3057*	Double Egress Arm, Left Hand	1
11	01-1463	Adjusting Rod Screw	1
12	63-0377	Bumper	1
13	63-0396	Bumper Stop	1
14	01-0134	Pan Head machine Screw 8-32 X 13/16"	1
15	63-4212*	Mounting Screw Pack (Not Shown)	1

* Finish Required (Finishes: EB, EN, ED, EP, EAB)



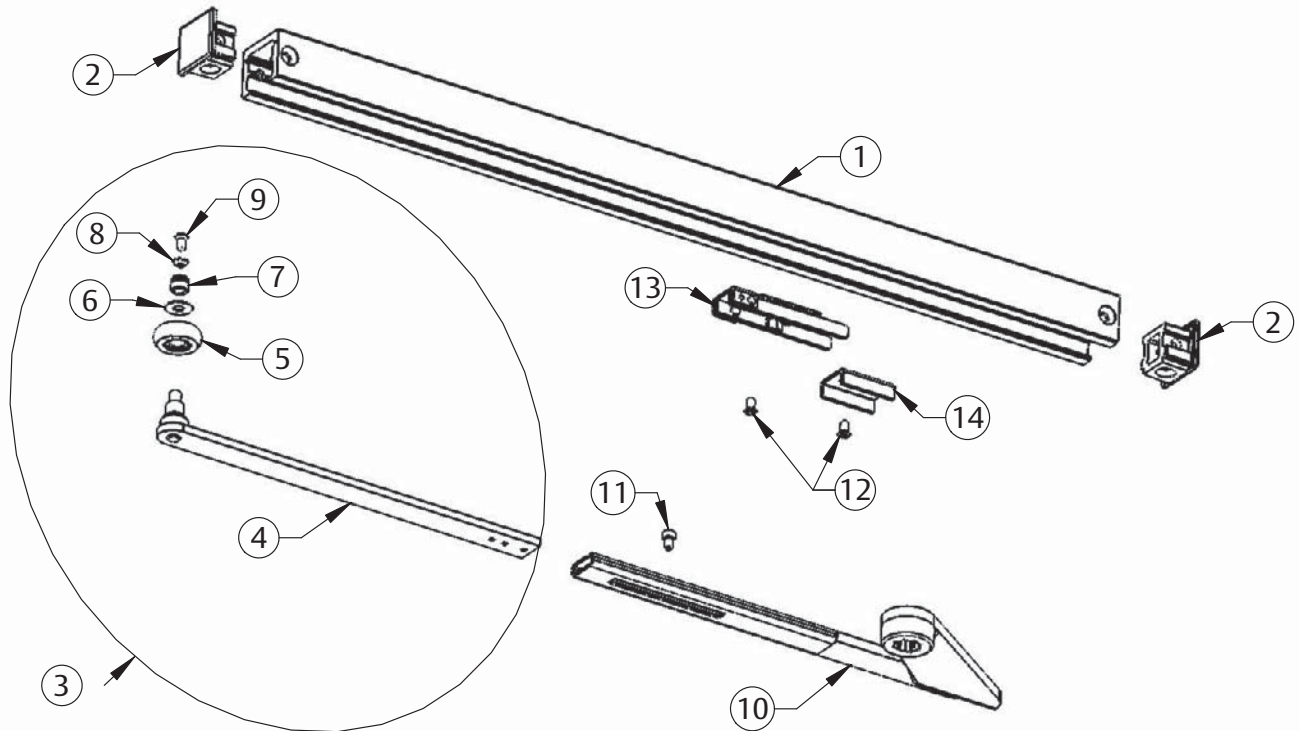
The warranty on SARGENT® products becomes void if the product is modified in any way, regardless of whether the modification causes or contributes to any alleged defect. If a SARGENT product is modified it may no longer meet industry certification and quality control standards applicable to the original product and is no longer a genuine SARGENT product.

Copyright ©2019 Sargent Manufacturing Company, an ASSA ABLOY Group company. All rights reserved. Reproduction in whole or in part without the express written permission of Sargent Manufacturing Company is prohibited.

25- HDS Arm And Track Assembly
- Use With 351 Series Door Closer Only -

Item	Part No.	Description	Qty.
1	63-0157*	Channel	1
2	63-0682*	End Cap	2
3	63-4206*	Arm And Roller Assembly	1
4	63-4276*	Arm And Stud Assembly	1
5	63-3900	Roller Assembly	1
6	63-0687	Washer	1
7	63-0738	Bushing	1
8	01-0930	Countersunk Lock Washer	1
9	01-1028	Flat Head Machine Screw 8-32 x 5/16"	1
10	63-3056*	Double Egress Arm, Right Hand	1
	63-3057*	Double Egress Arm, Left Hand	1
11	01-1463	Adjusting Rod Screw	1
12	01-1028	Machine Screw 8-32 X 1/4"	2
13	63-2063	Spring Slide Assembly	1
14	63-0678	Spring Support	1
15	63-4212*	Mounting Screw Pack (Not Shown)	1

* Finish Required (Finishes: EB, EN, ED, EP, EAB)



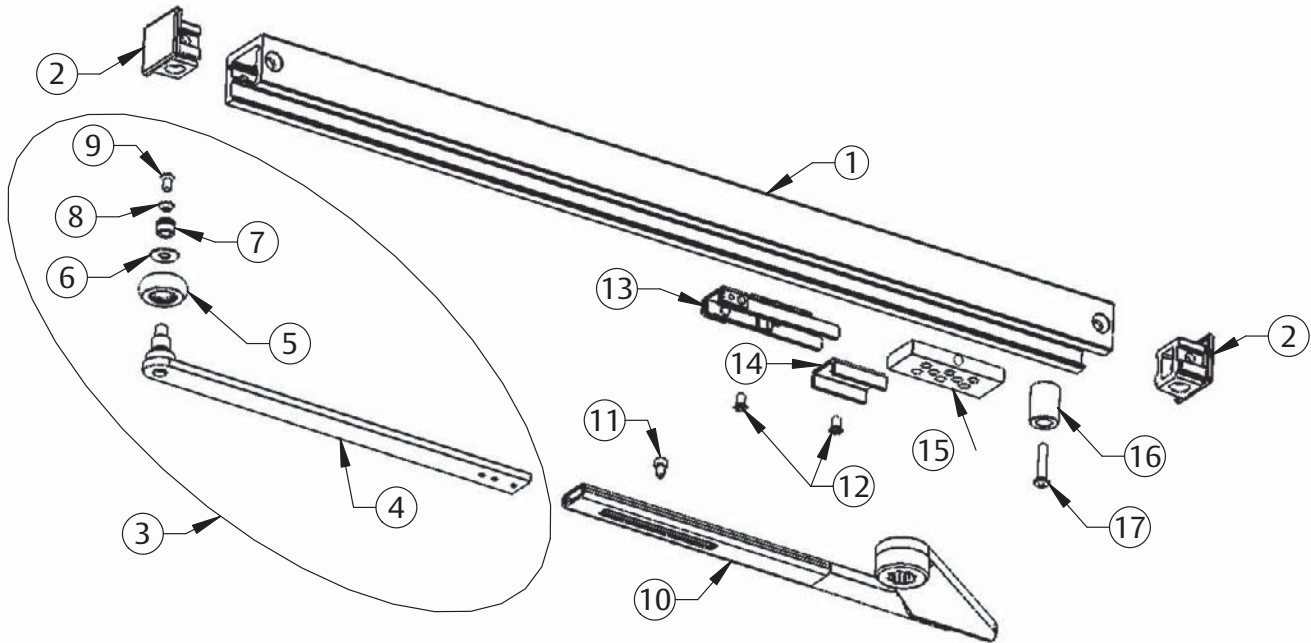
The warranty on SARGENT® products becomes void if the product is modified in any way, regardless of whether the modification causes or contributes to any alleged defect. If a SARGENT product is modified it may no longer meet industry certification and quality control standards applicable to the original product and is no longer a genuine SARGENT product.

Copyright ©2018 Sargent Manufacturing Company, an ASSA ABLOY Group company. All rights reserved. Reproduction in whole or in part without the express written permission of Sargent Manufacturing Company is prohibited.

25- HDSB Arm And Track Assembly
- Use With 351 Series Door Closer Only -

Item	Part No.	Description	Qty.
1	63-0157*	Channel	1
2	63-0682*	End Cap	2
3	63-4206*	Arm And Roller Assembly	1
4	63-4276*	Arm And Stud Assembly	1
5	63-3900	Roller Assembly	1
6	63-0687	Washer	1
7	63-0738	Bushing	1
8	01-0930	Countersunk Lock Washer	1
9	01-1028	Flat Head Machine Screw 8-32 x 5/16"	1
10	63-3056*	Double Egress Arm, Right Hand	1
	63-3057*	Double Egress Arm, Left Hand	1
11	01-1463	Adjusting Rod Screw	1
12	01-1028	Machine Screw 8-32 X 1/4"	2
13	63-2063	Spring Slide Assembly	1
14	63-0678	Spring Support	1
15	63-0377	Bumper	1
16	63-0396	Bumper Stop	1
17	01-0134	Pan Head Machine Screw 8-32 X 13/16"	1
18	63-4212*	Mounting Screw Pack (Not Shown)	1

*Finishes Required (Finishes: EB, EN, ED, EP, EAB)



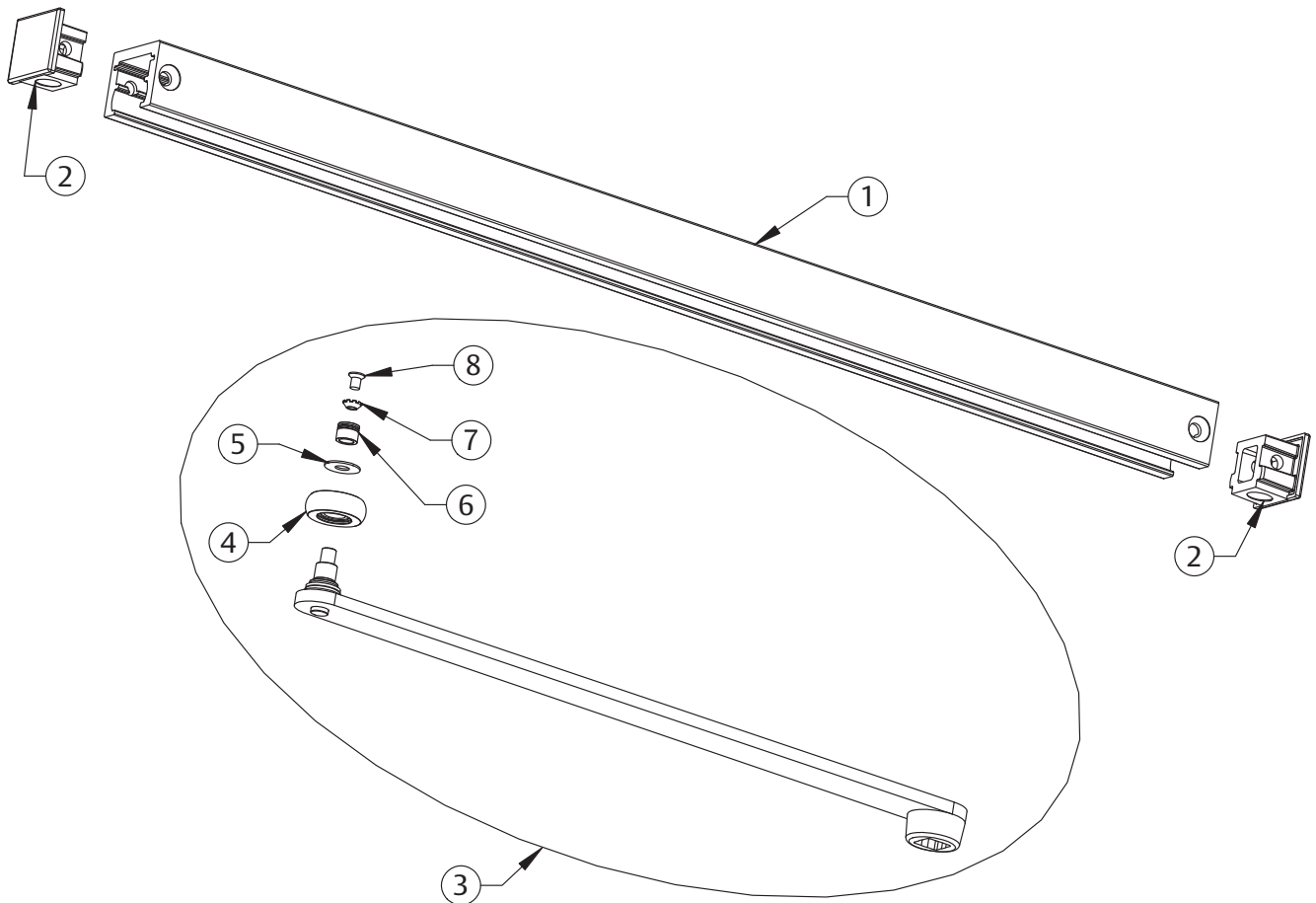
The warranty on SARGENT® products becomes void if the product is modified in any way, regardless of whether the modification causes or contributes to any alleged defect. If a SARGENT product is modified it may no longer meet industry certification and quality control standards applicable to the original product and is no longer a genuine SARGENT product.

Copyright ©2019 Sargent Manufacturing Company, an ASSA ABLOY Group company. All rights reserved. Reproduction in whole or in part without the express written permission of Sargent Manufacturing Company is prohibited.

25-OTP Pocket Application
Arm & Track Assembly
 - Use With 351 Series Door Closer Only -

Item	Part No.	Description	Qty.
1	63-0157*	Channel	1
2	63-0682*	End Caps	2
3	63-3408*	Arm & Roller Assembly	1
4	63-3900	Roller Assembly	1
5	63-0687	Washer	1
6	63-0738	Bushing	1
7	01-0930	Countersunk Lock Washer	1
8	01-1028	Flat Head Machine Screw 8-32 x 5/16"	1
9	63-4212*	Mounting Screw Pack (Not Shown)	1

*Finishes Required (Finishes: EB, EN, ED, EP, EAB)



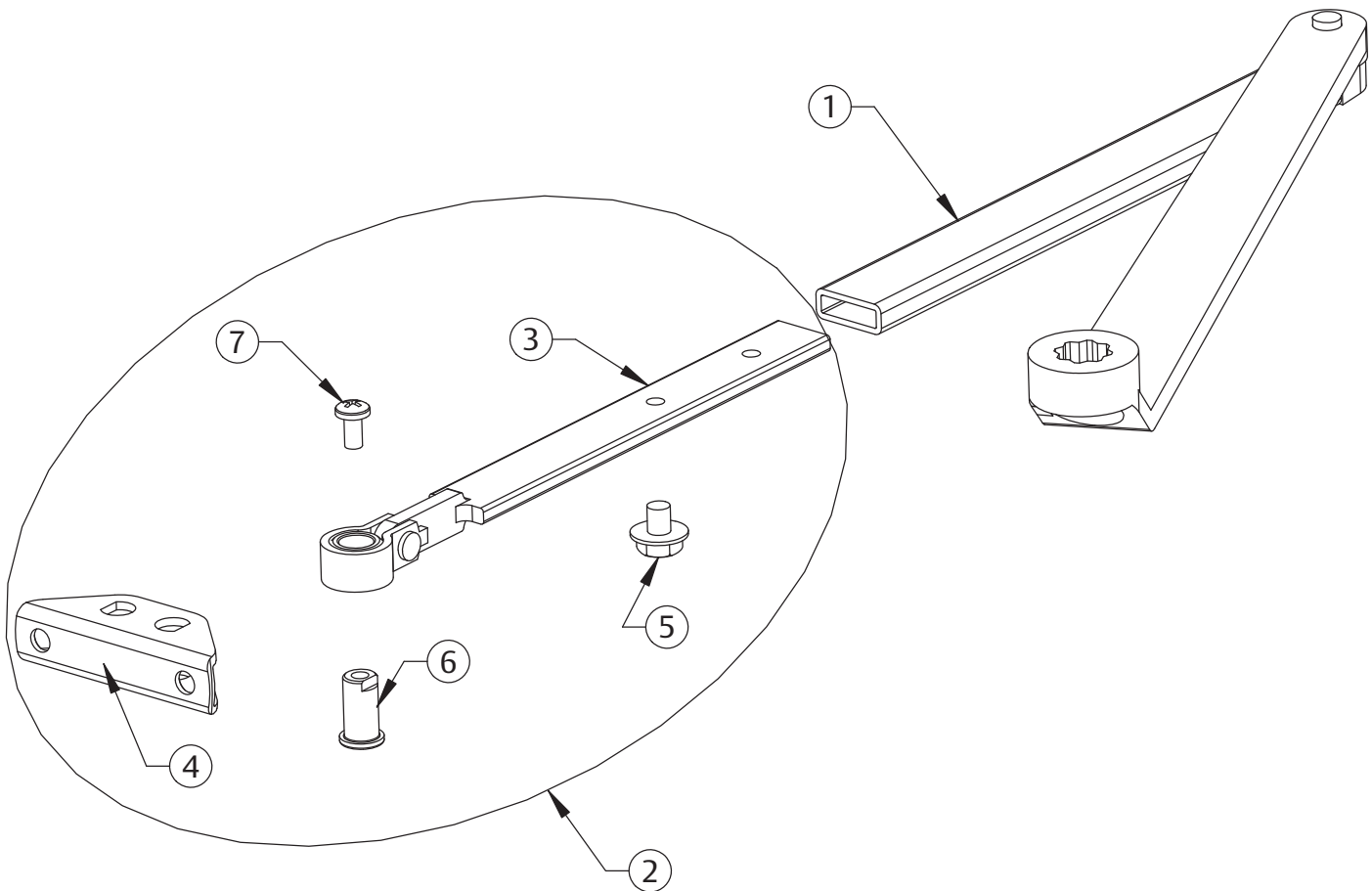
The warranty on SARGENT® products becomes void if the product is modified in any way, regardless of whether the modification causes or contributes to any alleged defect. If a SARGENT product is modified it may no longer meet industry certification and quality control standards applicable to the original product and is no longer a genuine SARGENT product.

Copyright ©2018 Sargent Manufacturing Company, an ASSA ABLOY Group company. All rights reserved. Reproduction in whole or in part without the express written permission of Sargent Manufacturing Company is prohibited.

25-OP Pocket Arm Assembly
- Use With 351 Series Door Closer Only -

Item	Part No.	Description	Qty.
1	63-2607*	Main Arm & Link Assembly	1
2	63-2216*	Complete "O" Foot Assembly	1
3	63-2212*	Swivel Arm	1
4	64-0023*	Foot	1
5	61-0308*	Swivel Arm Screw	1
6	64-0025*	Foot Pivot	1
7	01-1140*	Screw	1
8	63-3684*	Mounting Screw Pack (Not Shown)	1

*Must Specify Finish: (Painted Finishes EB, EN, ED, EP, EAB)



SARGENT Manufacturing Company
100 Sargent Drive
New Haven, CT 06511 USA
800-727-5477
www.sargentlock.com

ASSA ABLOY is the global
leader in door opening solutions,
dedicated to satisfying
end-user needs for security,
safety and convenience