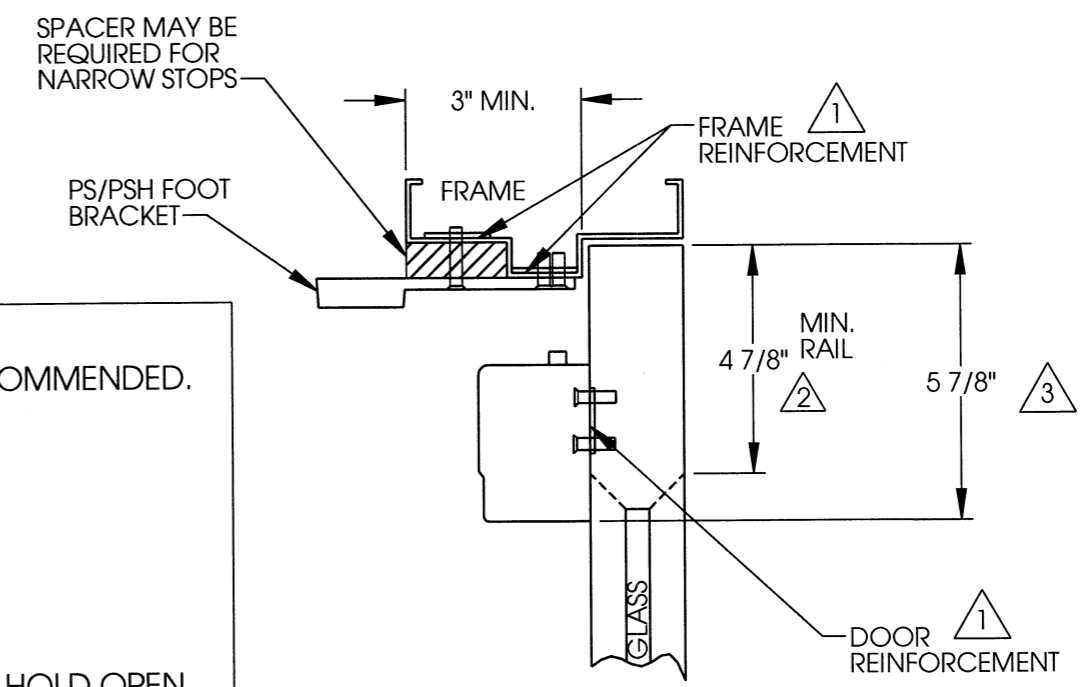
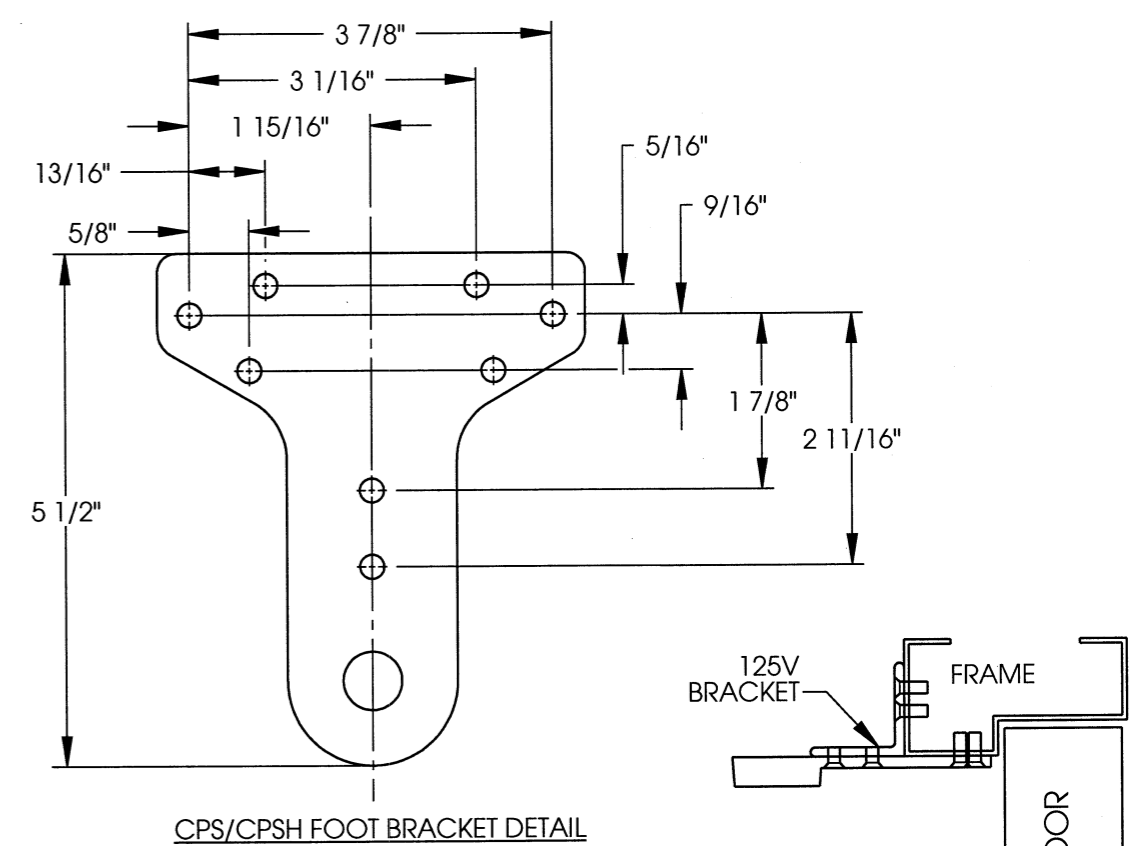
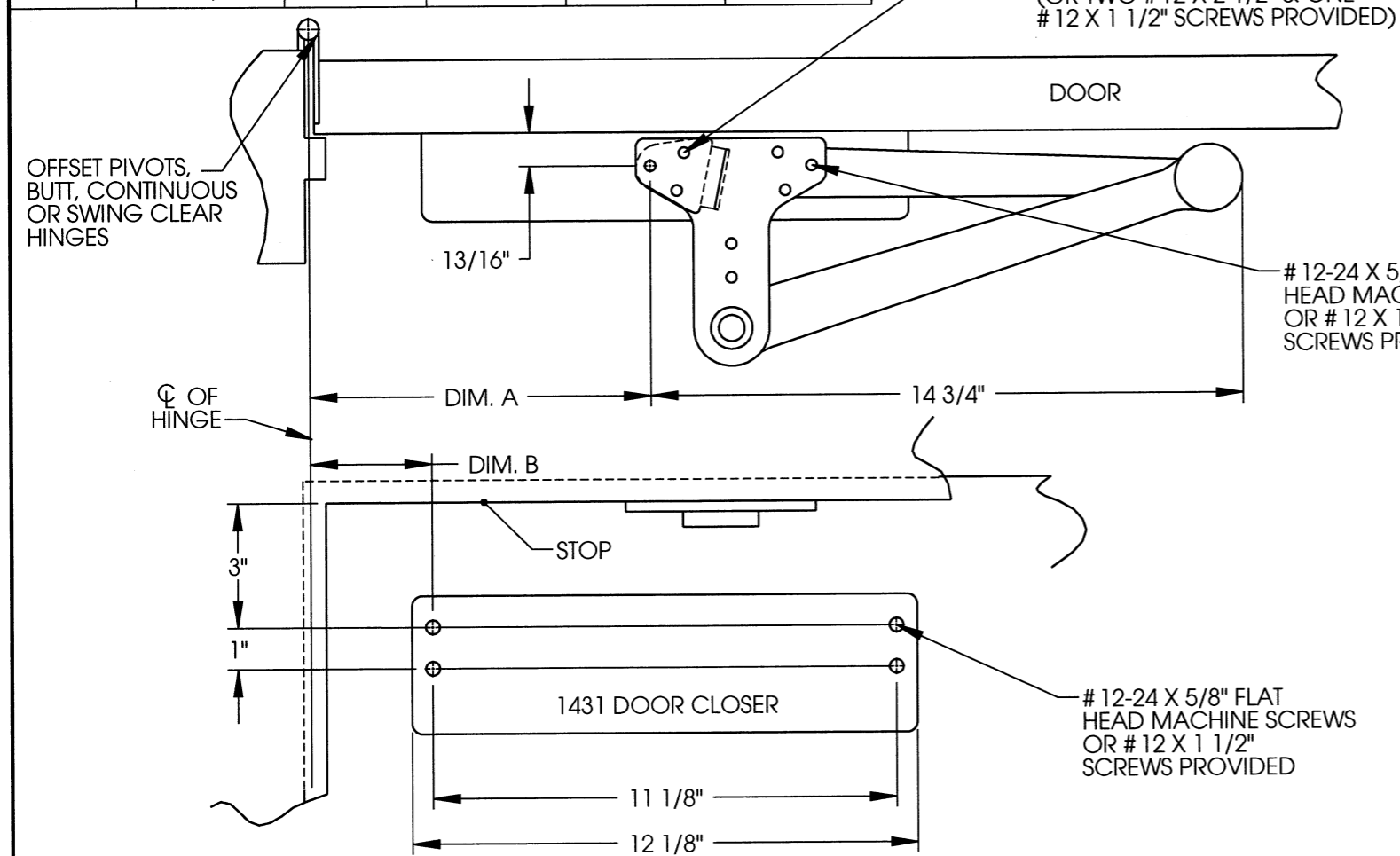


DEGREE OF DOOR OPENING AT "HOLD OPEN" <sup>6</sup> <sup>7</sup>

	85°	90°	95°	100° <sup>4</sup>	105° <sup>4</sup>
DIM. "A"	9 3/4"	9 1/8"	8 3/8"	7 3/4"	7 3/16"
DIM. "B"	4 3/8"	3 3/4"	3"	2 3/8"	1 7/8"



NOTES:

- <sup>1</sup>. REINFORCE METAL DOORS AND FRAMES PER ANSI A250.8 AND SDI-100 STANDARDS, 12 GAUGE RECOMMENDED.
- <sup>2</sup>. FOR THIN RAIL DOORS, USE 1431-D DROP PLATE, SEE DATA SHEET A7168.
- <sup>3</sup>. 1431-J COVER PLATE MAY BE USED WHEN CLOSER IS VISIBLE THROUGH GLASS.
- <sup>4</sup>. DO NOT USE THESE MOUNTINGS FOR SWING CLEAR HINGES.
5. LEFT HAND DOOR SHOWN, RIGHT HAND OPPOSITE.
- <sup>6</sup>. DIMENSIONS "A" & "B" ARE BASED ON A 4 1/2" BUTT HINGE. IF A 3 1/2" OR 6" BUTT HINGE IS USED, THE HOLD OPEN ANGLE WILL CHANGE BY LESS THAN 1/2°.
- <sup>7</sup>. DEAD STOP OCCURS APPROX. 3° BEYOND HOLD OPEN.
8. IF DOOR CLOSER BODY INTERFERES WITH LIGHT KIT, USE 1431-B PLATE. SEE DATA SHEET A7169 FOR PLATE DIMENSIONS ONLY.
- <sup>9</sup>. WHEN SOFFIT IS LESS THAN 3" USE A 125V BRACKET. USE 125VF BRACKET FOR FLUSH FRAME CONDITIONS.

**SARGENT** Manufacturing Company  
100 Sargent Drive New Haven, CT 06511

DATA SHEET: 1431 SERIES DOOR CLOSERS WITH CPS OR CPSH HEAVY DUTY PARALLEL ARM	RELEASE DATE AUGUST 06
	TEMPLATE NO. A7374 C