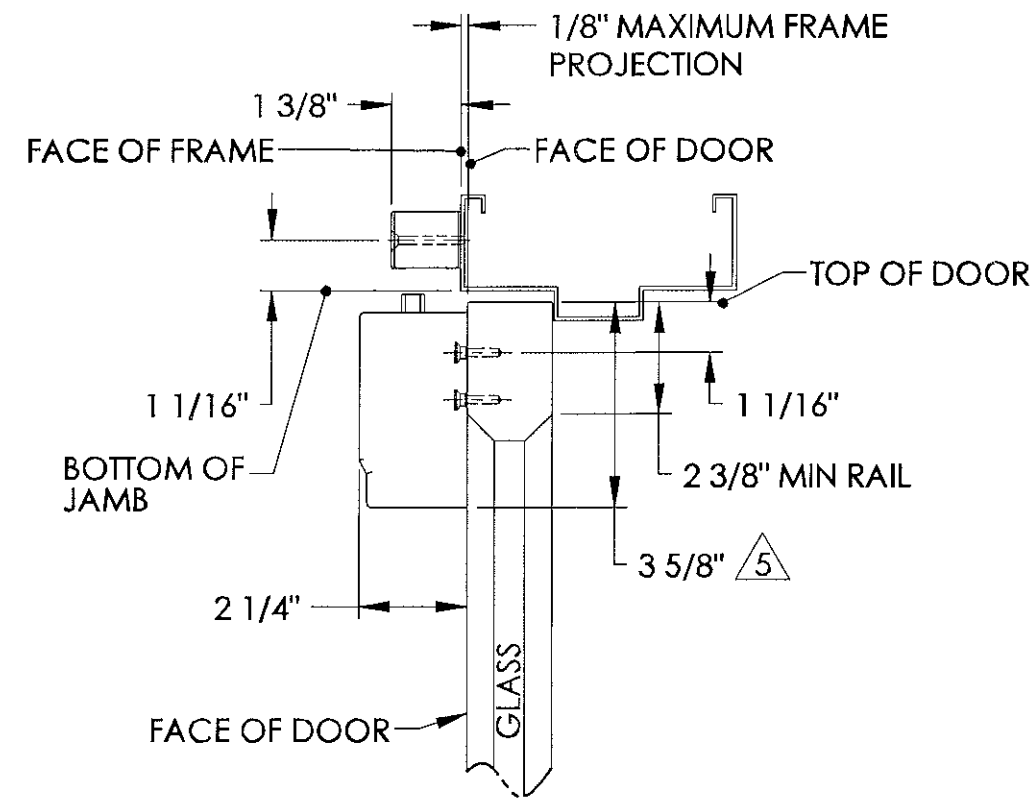
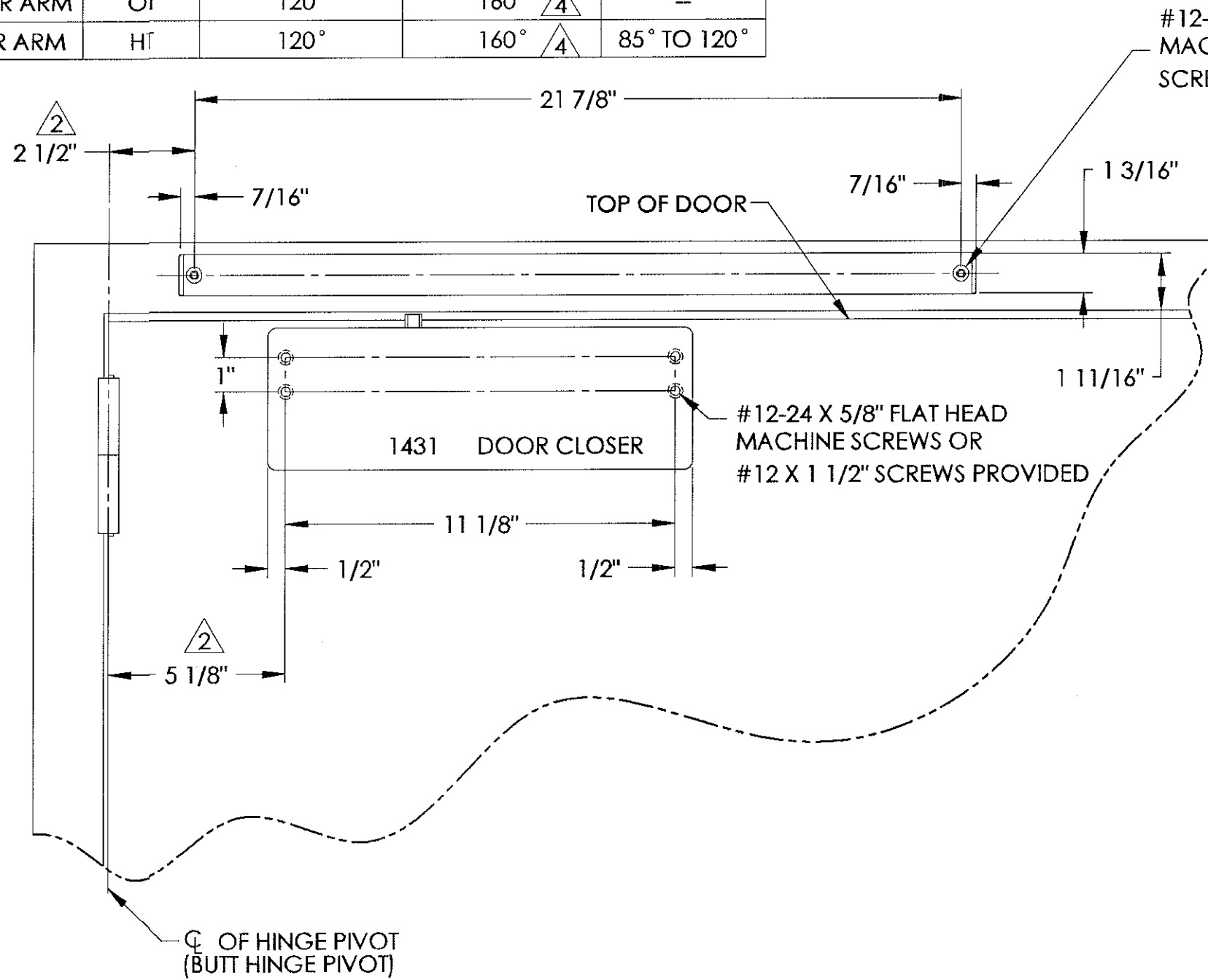


DESCRIPTION	ARM TYPE	MAXIMUM DOOR OPENING		RANGE OF HOLD OPEN
		WITH BUMPER	WITHOUT BUMPER	
REGULAR ARM	OT	120°	160° $\triangle 4$	--
HOLDER ARM	HT	120°	160° $\triangle 4$	85° TO 120°



- NOTES:
1. REINFORCE METAL DOORS AND FRAMES PER ANSI A250.8 AND SDI-100 STANDARDS, 12 GAUGE RECOMMENDED.
  2. THIS DIMENSION IS TAKEN FROM THE HINGE, EDGE OF DOOR FOR INVISIBLE HINGES.
  3. RIGHT HAND DOOR SHOWN, LEFT HAND OPPOSITE.
  4. IF HINGE, FRAME, AND WALL CONDITIONS PERMIT, CLOSER WILL ALLOW DOOR TO OPEN 180°.
  5. 1431-J COVER PLATE MAY BE USED WHEN CLOSER IS VISIBLE THRU GLASS.

<b>SARGENT®</b> Manufacturing Company 100 Sargent Drive New Haven, CT 06511	
DATA SHEET: 1431-OT AND HT SERIES CLOSERS PULL SIDE TRACK APPLICATION	RELEASE DATE <i>8 Sept 06</i> TEMPLATE NO. A7188 B