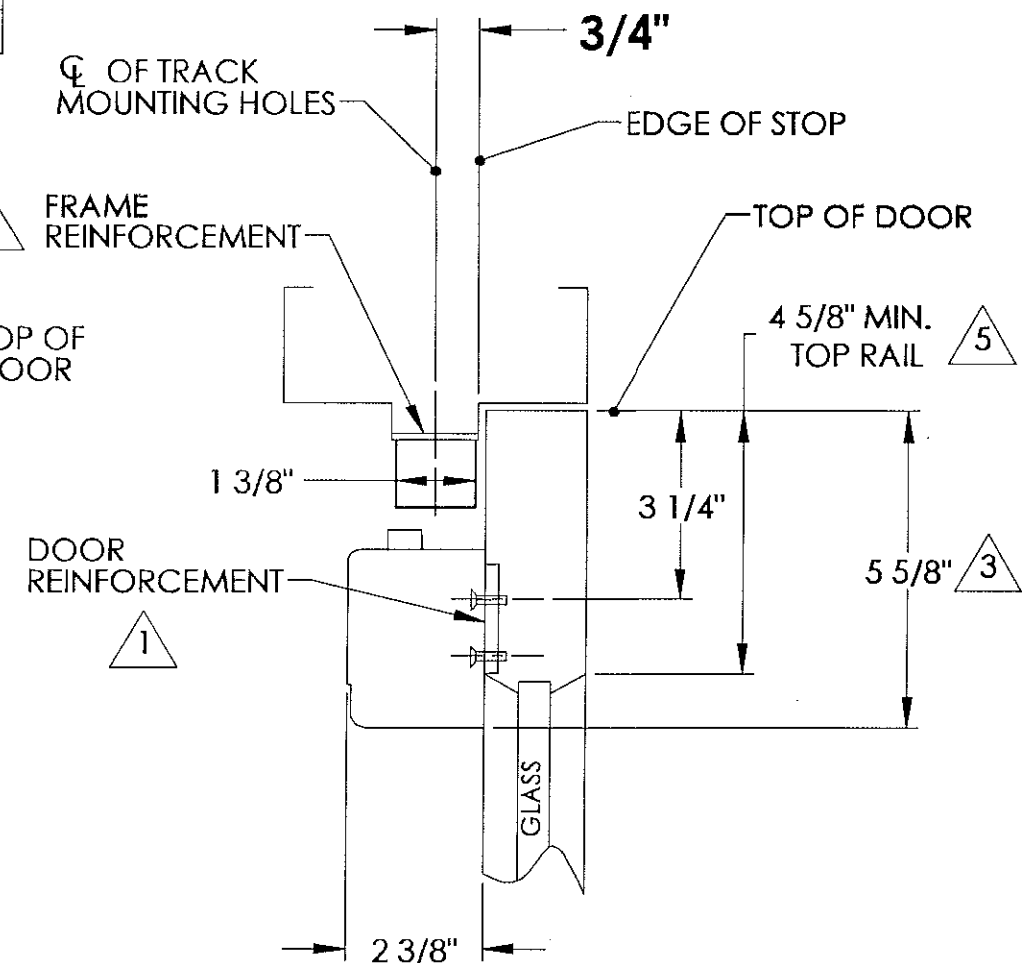
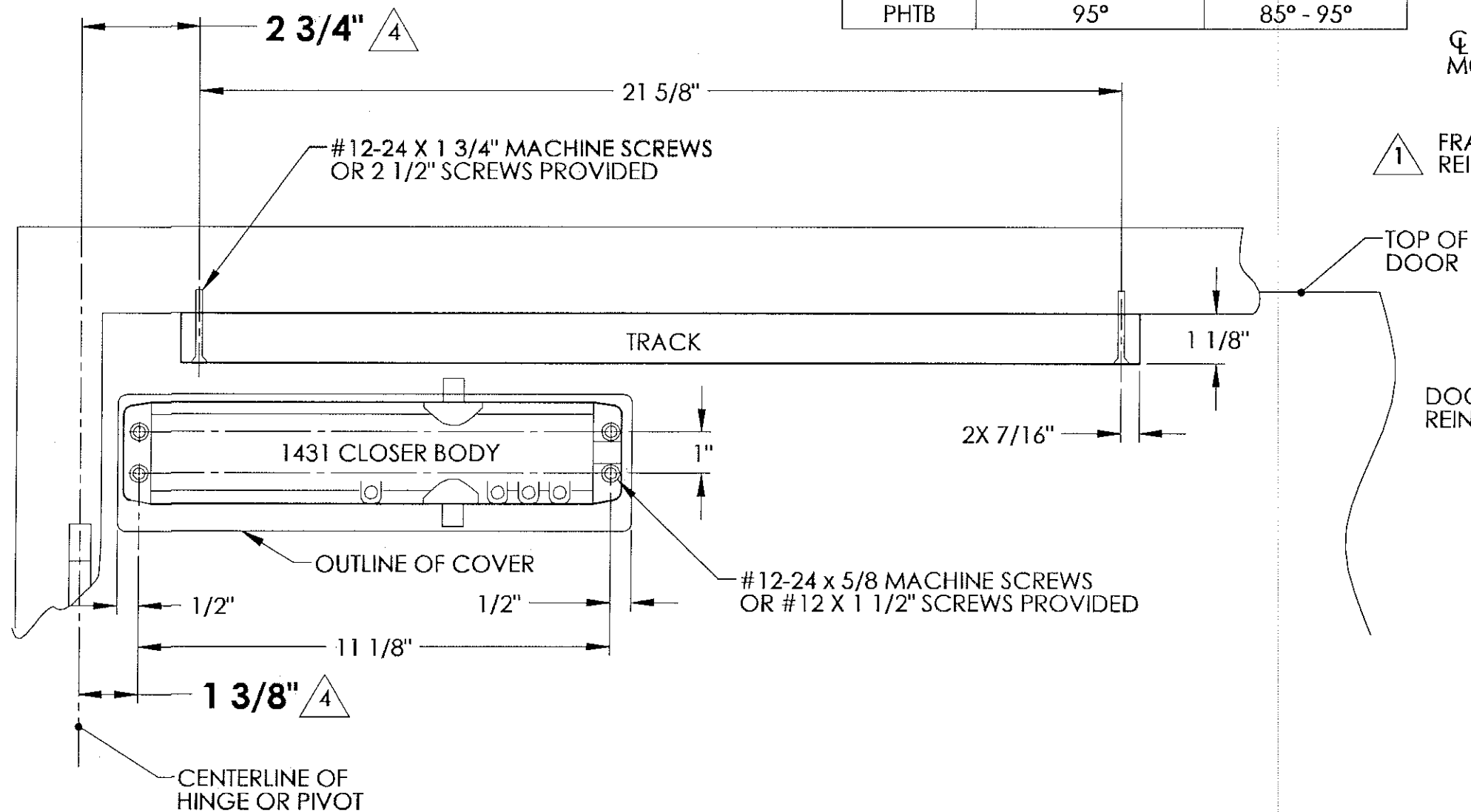


ARM TYPE	MAXIMUM DOOR OPENING	RANGE OF HOLD OPEN
POT	100°	-
POTB	95°	-
PHT	100°	85° - 95°
PHTB	95°	85° - 95°



NOTES

1. REINFORCE METAL DOORS AND FRAMES PER SDI-100 AND ANSI 250.8 STANDARDS, 12 GAUGE RECOMMENDED.
2. LEFT HAND DOOR SHOWN, RIGHT HAND OPPOSITE.
3. THE 1431-J COVER PLATE MAY BE USED WHEN CLOSER IS VISIBLE THROUGH GLASS.
4. FOR INVISIBLE HINGES LOCATE CLOSER AND TRACK FROM EDGE OF DOOR.
5. THE MINIMUM TOP RAIL CAN BE REDUCED BY 13/16" USING A 1431-D PLATE. SEE TEMPLATE A7168.

SARGENT Manufacturing Company
100 Sargent Drive New Haven, CT 06511

DATA SHEET:

1431-POT & PHT INSTALLATION
(PUSH SIDE TRACK)

RELEASE DATE

5 May 06

TEMPLATE NO.

A7189