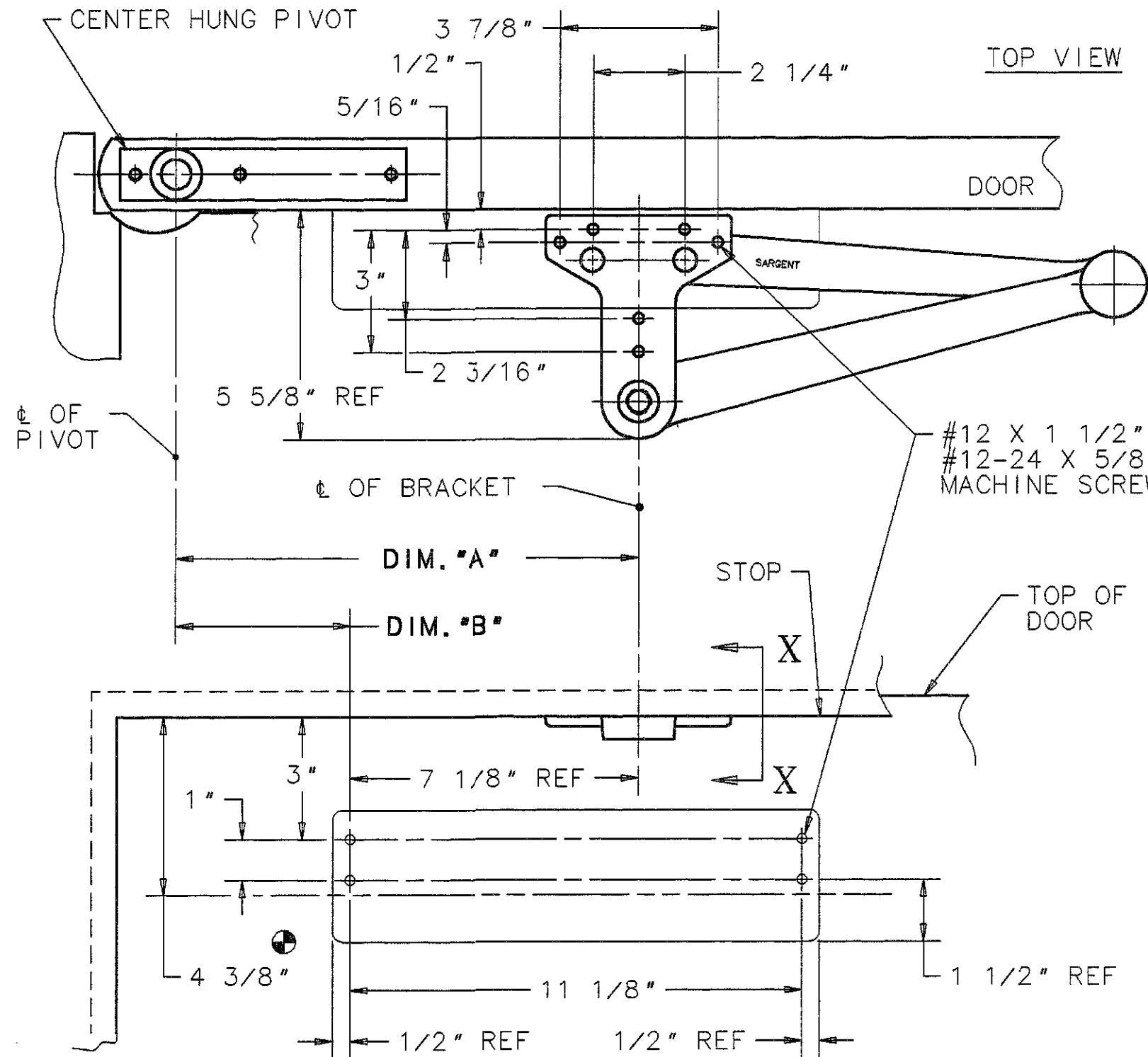


PS TYPE ARM ASSEMBLY SHOW.  
PSH TYPE ARM SIMILAR.

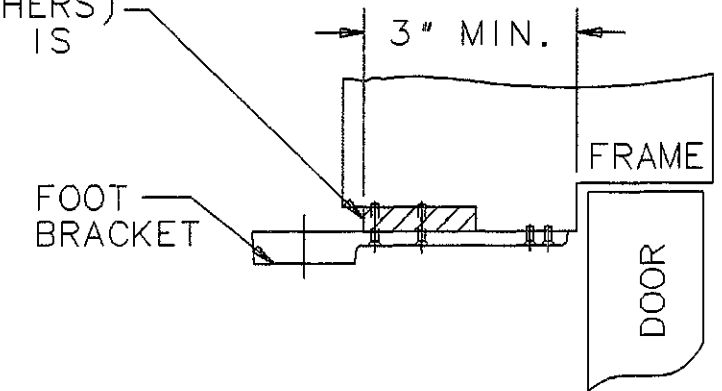
SEE DATA SHEET A7377 FOR BUTTS, OFFSET PIVOTS OR SWING CLEAR HINGES.

	DEGREE OF DOOR OPENING AT HOLD OPEN					
	85°	90°	95°	100°	105°	110°
DIM. "A"	12 9/16"	11 3/4"	11"	10 1/2"	9 15/16"	9 5/16"
DIM. "B"	5 7/16"	4 5/8"	3 7/8"	3 3/8"	2 13/16"	2 3/16"

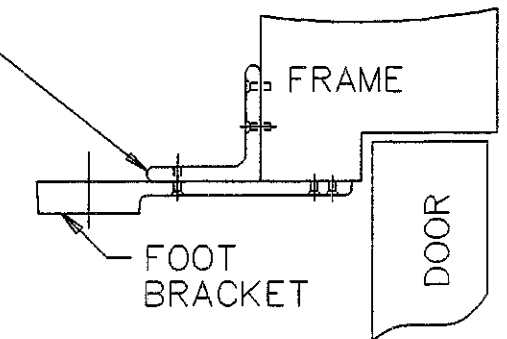
NOTE: "DEAD STOP" OCCURS APPROX. 2° BEYOND "HOLD OPEN"



SUITABLE SPACER (BY OTHERS)  
MUST BE USED WHEN STOP IS  
LESS THAN 3" IN WIDTH



125-V BRACKET MUST BE USED  
WHEN FRAME IS NERROW. USE  
SARGENT'S 125-VF BRACKET  
(NOT SHOWN), FOR FLUSH FRAME  
CONDITIONS



SECTION X-X

NOTES:

1. LEFT HAND DOOR SHOWN. RIGHT HAND OPPOSITE.
2. 12 GAGE MIN. REINFORCEMENT REQUIRED FOR METAL DOORS AND FRAMES.
3. SPACE REQUIRED TO MOUNT CLOSER ON TOP RAIL. IF SPACE IS LESS THAN SHOWN USE 1430-D DROP PLATE. SEE DATA SHEET A7168 FOR DETAILS.

SARGENT MANUFACTURING COMPANY

NEW HAVEN, CONN. 06511

DATA SHEET: 1430 SERIES DOOR  
CLOSERS. PARALLEL HEAVY DUTY  
ARM APPLICATIONS - PS & PSH  
ARMS. CENTER HUNG PIVOT.

EFFECTIVE DATE

JANUARY 00

TEMPLET NO.

A7376 A