

**Tools Needed**



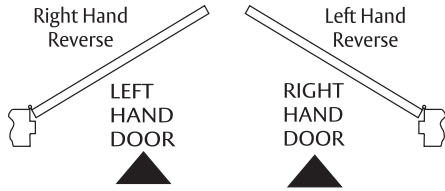
Adjustable Wrench

# FRICITION HOLD OPEN ADJUSTMENT H & UH ARMS

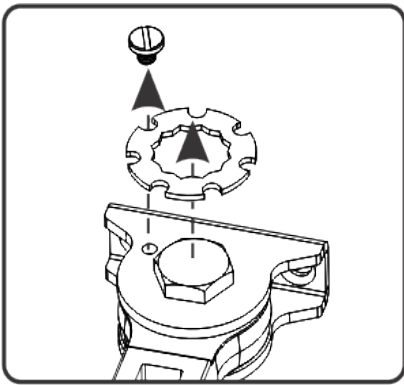
**SARGENT**  
**ASSA ABLOY**

## Step 1: Identify Door Handing

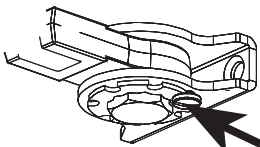
To Determine Your Hand of Door:



## Step 2: Remove Dial and Screw



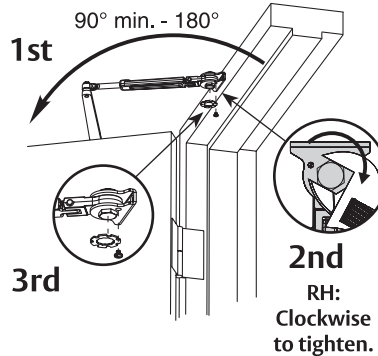
**IMPORTANT!!:** Install Hex Facing Down in ALL Applications



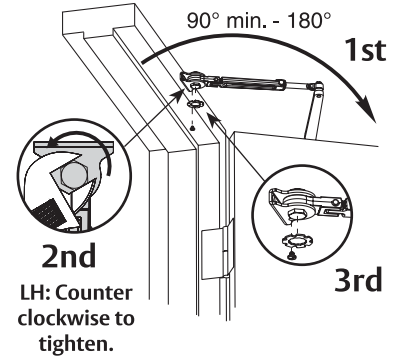
- Dial/Hex Head **DOWN** in ALL Applications
- Parallel, Regular and Top Jamb
- Right Hand and Left Hand Doors

## Step 3: Set Hold Open Angle

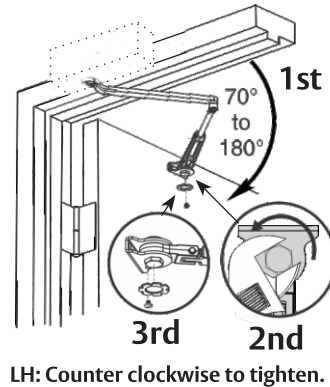
### Regular Arm



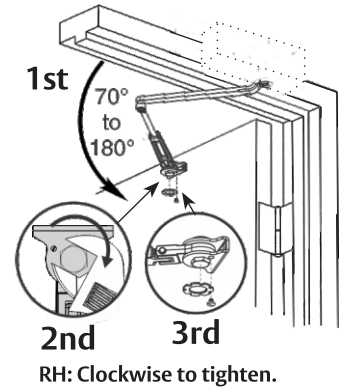
**!** Keep door open in position until dial screw secures dial.



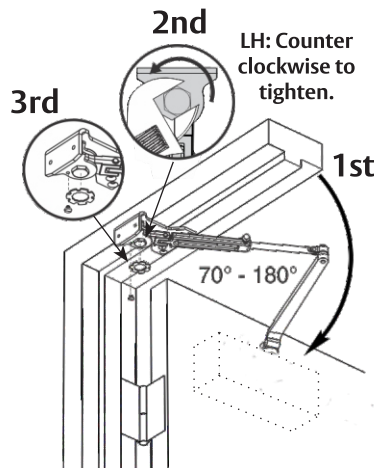
### Top Jamb Arm



**!** Keep door open in position until dial screw secures dial.



### Parallel Arm



**!** Keep door open in position until dial screw secures dial.

