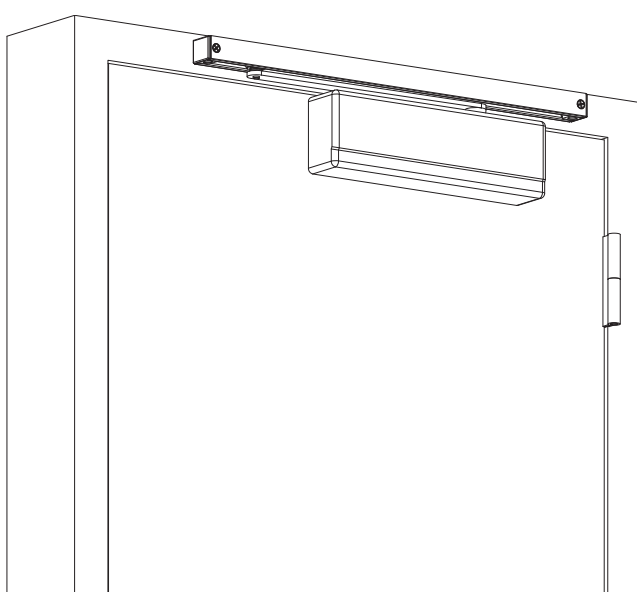
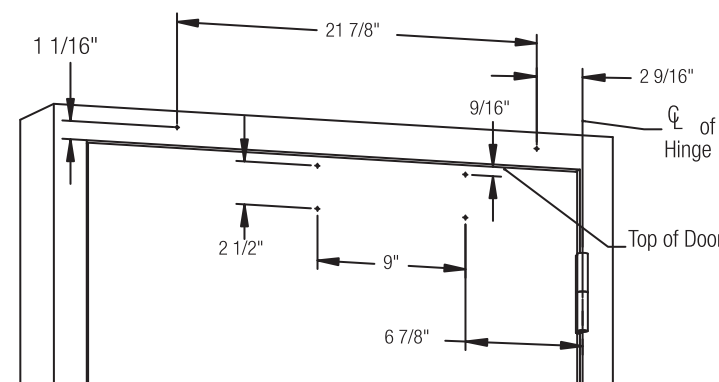


351 WITH OT,OTB,HT,HTB ARM AND TRACK INSTALLATION INSTRUCTIONS (PULL SIDE)

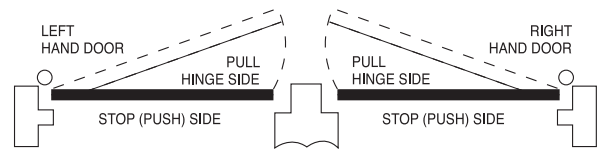
CAUTION: FAILURE TO INSTALL OR ADJUST PROPERLY MAY RESULT IN INJURY OR DAMAGE
FOR INSTALLATION ASSISTANCE CALL SARGENT AT 1-800-727-5477 • www.sargentlock.com
NOTE: AN AUXILIARY DOOR STOP IS REQUIRED



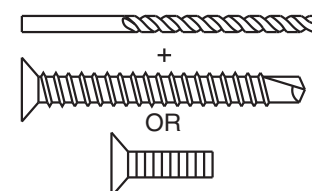
1 Measure and mark holes, using dimensions shown below



Left hand shown; Right hand opposite
(See page 4 for additional details)

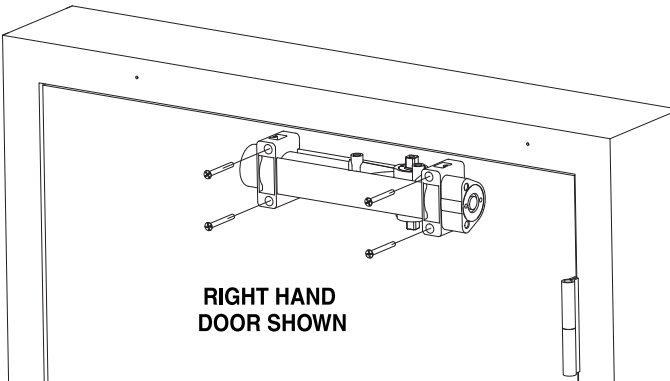


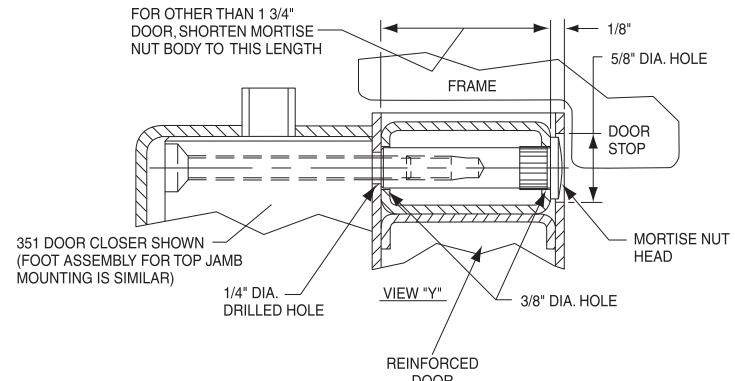
2 Prepare Holes



Pre-drill - 3/32" holes for self tapping screws
or #16 drill for #12-24 tap for machine screws
(Use 1/8" hole for fire rated wood doors)

3 With provided fasteners, secure closer body to door with power adjustment facing away from hinge





351 DOOR CLOSER SHOWN (FOOT ASSEMBLY FOR TOP JAMB MOUNTING IS SIMILAR)

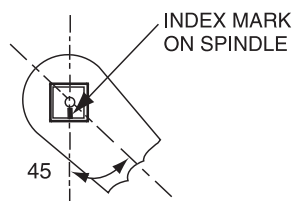
351 CLOSER BODIES ARE NOT HANDED. IT IS IMPORTANT THAT THE CLOSER BODY BE MOUNTED AS FOLLOWS:
RH SYMBOL AT TOP FOR RIGHT HAND DOOR.
LH SYMBOL AT TOP FOR LEFT HAND DOOR.

4

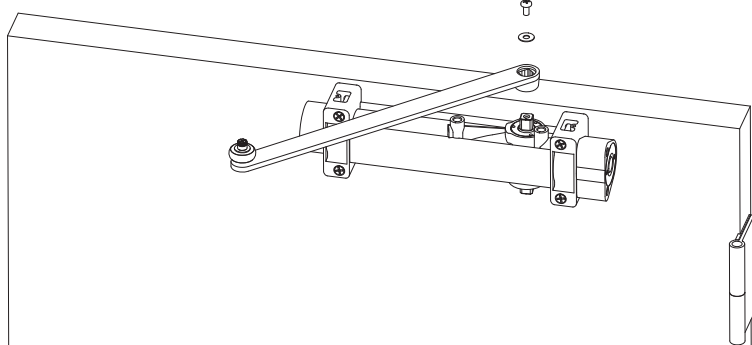
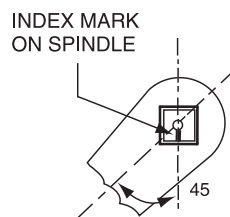
Assemble arm to closer with index mark on end of spindle 45° from axis of arm as illustrated below. Use washer and screw to retain arm (Right hand door shown).

SARGENT
ASSA ABLOY

LEFT HAND DOOR



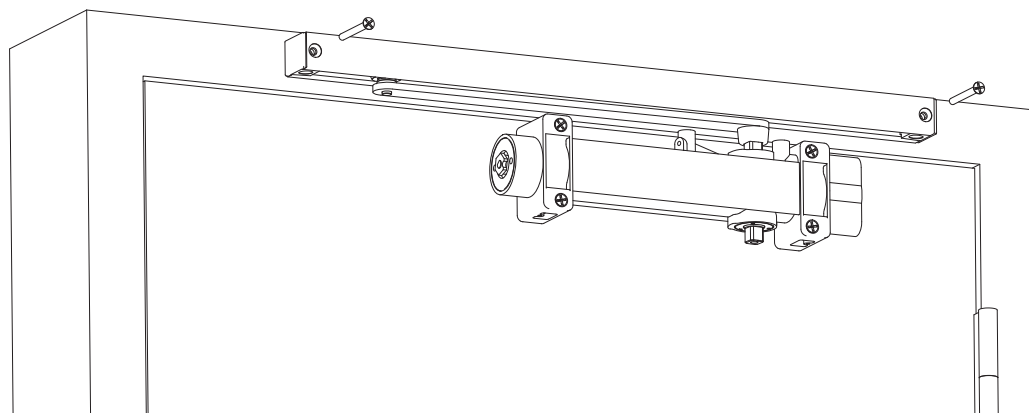
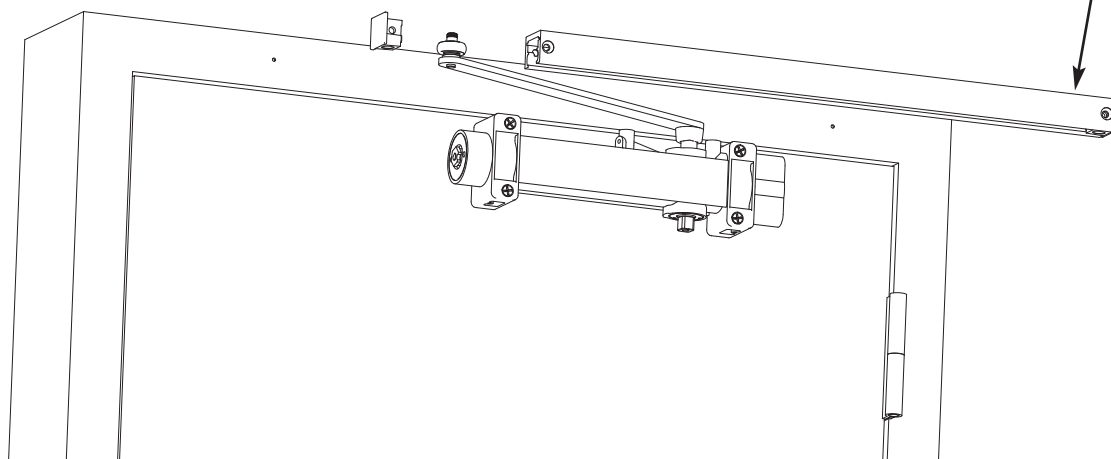
RIGHT HAND DOOR



5

Slide track over roller and install end caps. Secure track to frame with screws provided.

Holder/Bumper option end toward hinge



2

Copyright © SARGENT Manufacturing. All rights reserved.
Reproduction in whole or in part without the express written
permission of SARGENT Manufacturing is prohibited.

A7347B

ASSA ABLOY, the global leader
in door opening solutions

Adjusting Closing Speeds

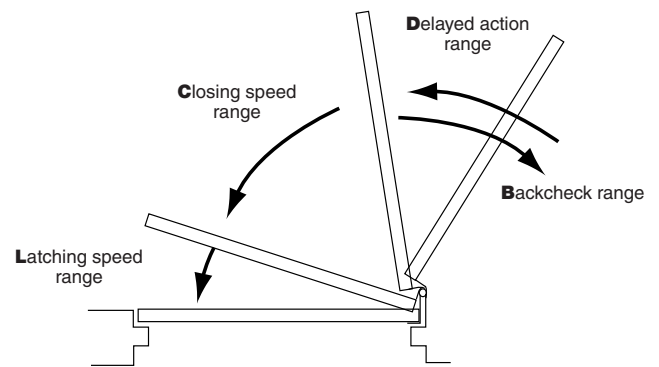
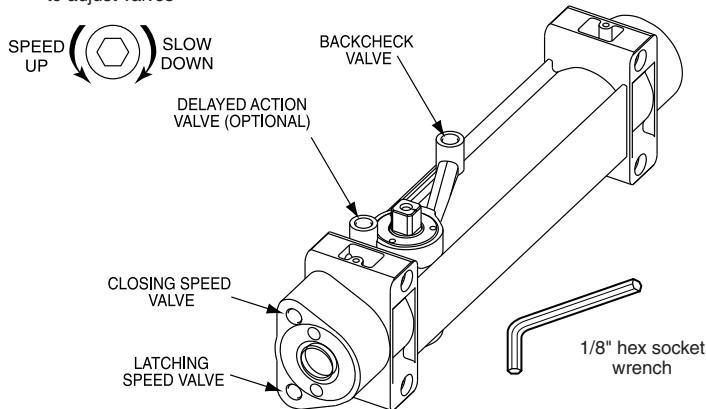
Adjust **Door speed**, and **Latching** speed valves to achieve the desired closing time. Recommend 6 seconds minimum from 90° to the closed position.

If **Backcheck** is required, adjust valve to achieve a slight cushioning effect. Auxiliary stop required.

If closer is equipped with **Delayed Action**, regulate valve to achieve the desired delay

SARGENT
ASSA ABLOY

Use 1/8" hex wrench
to adjust valves

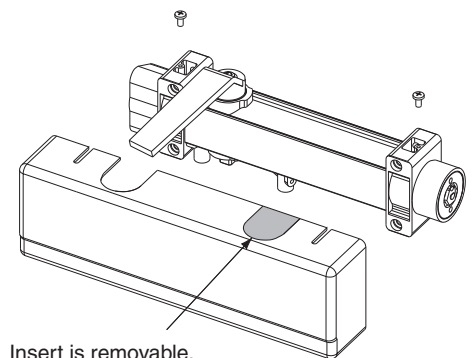
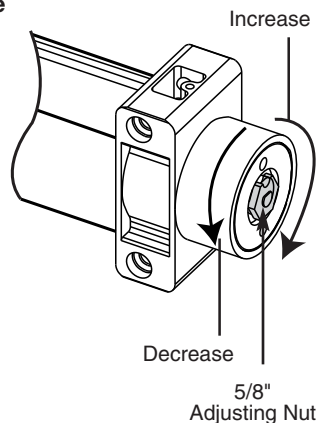


Adjust closing power to the minimum required to reliably close and latch door.

- If door is hard to open, decrease power slightly.
- If door does not latch, increase power as required.
- Use the chart as a starting point.
- Doors adjusted with high closing power to overcome strong draft conditions may exceed ADA standards.

Install cover as shown

| SPRING POWER ADJUSTMENT GUIDELINES | | |
|------------------------------------|----------------|----------------|
| Door Width (Inches) | Exterior Doors | Interior Doors |
| 24-30 | TURN nut 1-3 ↙ | TURN nut 1-3 ↙ |
| 30-36 | FACTORY SET | FACTORY SET |
| 36-42 | TURN nut 1-4 ↘ | TURN nut 1-3 ↘ |
| 42-48 | TURN nut 7-9 ↘ | TURN nut 4-6 ↘ |

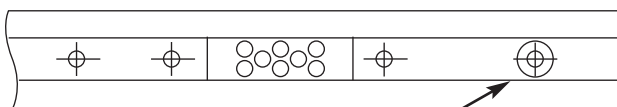


Insert is removable.
Place in unused opening.

OPTIONS

BUMPER ASSISTS BACKCHECK IN CUSHIONING THE OPENING FOR DOOR. IT IS NOT INTENDED TO REPLACE AN AUXILIARY DOOR STOP.

TO CHANGE BUMPER STOP LOCATION: REMOVE MOUNTING SCREW AND RELOCATE BUMPER STOP AT DESIRED POSITION.

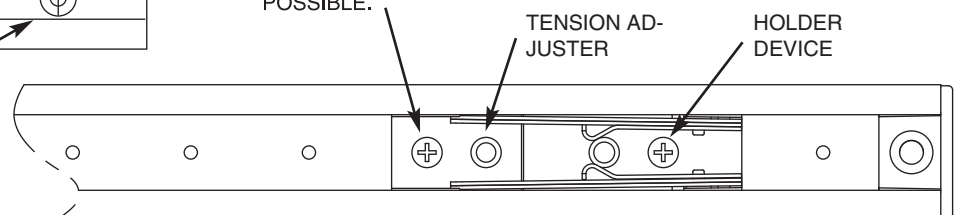


Mounting screw

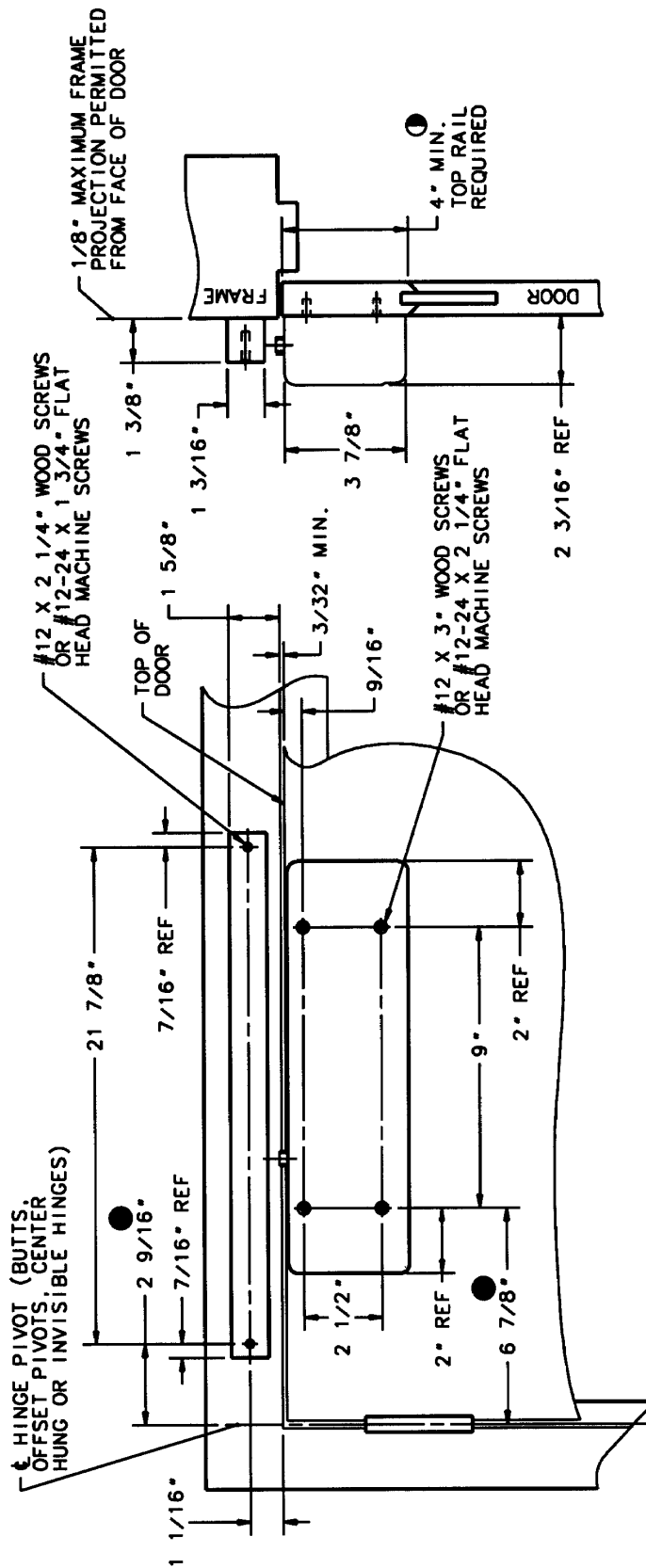
FOR MODELS HAVING HOLDER TRACKS:

THE HOLDER DEVICE IS SET FOR 95° DOOR HOLDING POSITION AT THE FACTORY AND THE HOLDER TENSION IS SET AT THE LIGHTEST OF THE THREE SETTINGS.

TO INCREASE HOLDING TENSION REMOVE MOUNTING SCREW AND MOVE TENSION ADJUSTER TOWARD HOLDER SLIDE BY USING EITHER OF THE TWO HOLE LOCATIONS. TWO POSITIONS OF TENSION ARE POSSIBLE.



| DESCRIPTION | ARM TYPE | MAXIMUM DOOR OPENING | | RANGE OF HOLD OPEN |
|-------------|----------|----------------------|----------------|--------------------|
| | | WITH BUMPER | WITHOUT BUMPER | |
| REGULAR ARM | OT | 120° | 160° | 85° TO 120° |
| HOLDER ARM | HT | 120° | 160° | |



- ③ THIS DIMENSION IS TAKEN FROM HINGE EDGE OF DOOR FOR INVISIBLE HINGES.
- ② RIGHT HAND DOOR SHOWN. LEFT HAND DOOR OPPOSITE.
- ① 12 GAUGE MIN. REINFORCEMENT REQUIRED FOR METAL DOORS AND FRAMES.

- ⑤ USED FOR DOOR WITH NARROW TOP RAIL.
- ④ IF BUTT FRAME AND WALL CONDITIONS PERMIT, CLOSER WILL ALLOW DOOR TO OPEN 180°.

① THIS DIMENSION IS TAKEN FROM HINGE EDGE OF DOOR FOR INVISIBLE HINGES.

② RIGHT HAND DOOR SHOWN. LEFT HAND DOOR OPPOSITE.

③ 12 GAUGE MIN. REINFORCEMENT REQUIRED FOR METAL DOORS AND FRAMES.

④ IF BUTT FRAME AND WALL CONDITIONS PERMIT, CLOSER WILL ALLOW DOOR TO OPEN 180°.

⑤ USED FOR DOOR WITH NARROW TOP RAIL.

SARGENT MFG. COMPANY
 REF. NAVENL. CORR. 06511
 EFFECTIVE DATE **SEPT. 99**
 TEMPLATE NO. A6749 B

DATA SHEET: 351 SERIES CLOSER TRACK TYPE APPLICATION (PULL SIDE MOUNTING) OT AND HT ARMS