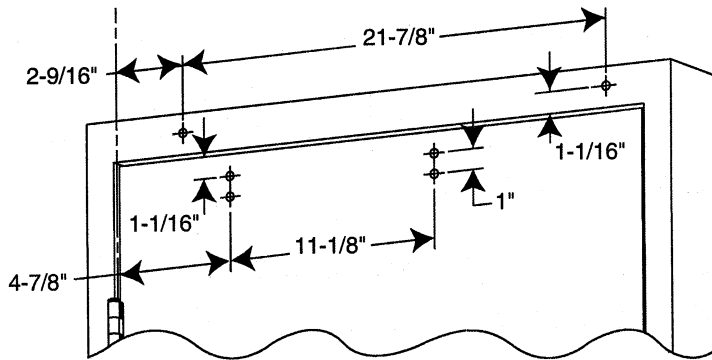


SARGENT® 1431 (OT or HT) B PULL SIDE TRACK APPLICATION INSTALLATION INSTRUCTIONS

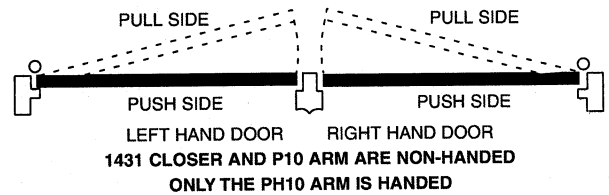
CAUTION: FAILURE TO INSTALL OR ADJUST PROPERLY MAY RESULT IN INJURY OR DAMAGE.

FOR ASSISTANCE, CALL SARGENT AT 1-800-727-5477

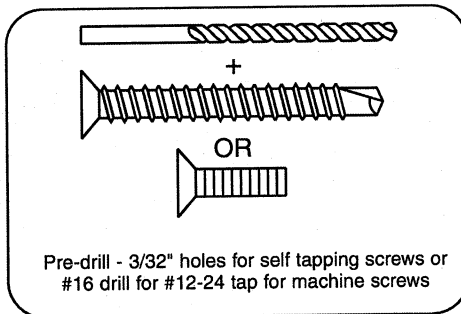
1 Measure and mark holes, using dimensions shown below



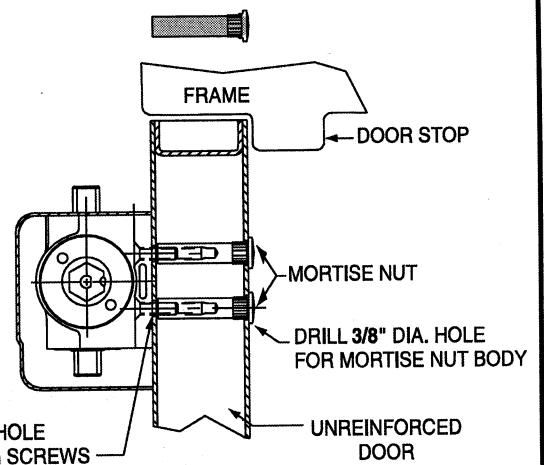
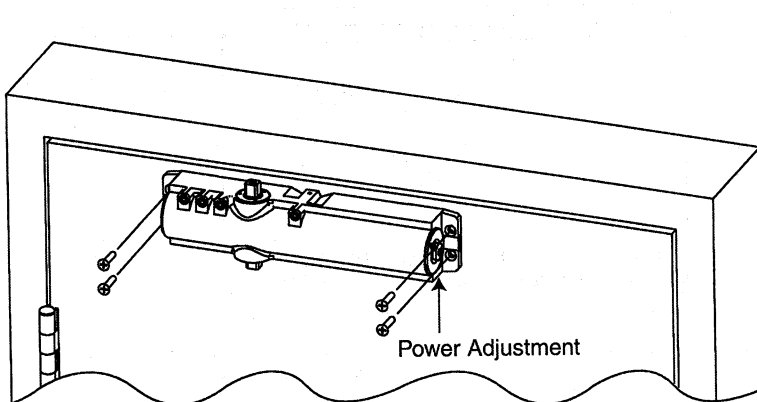
Right hand shown, left hand opposite
See page 4 for additional details



2 Prepare holes



3 With provided fastener, secure closer body to door with power adjustment away from hinge

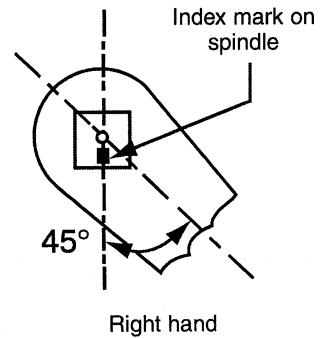
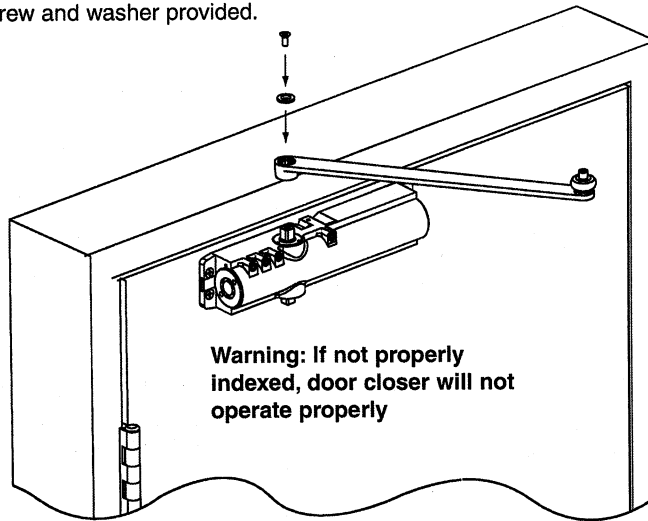
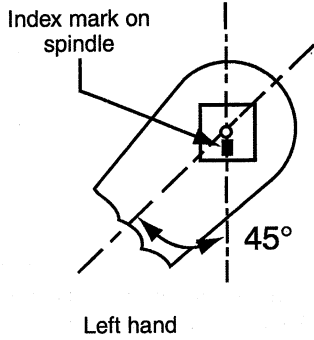


DRILL 1/4" DIA. HOLE FOR MOUNTING SCREWS

Use optional mortise nuts when through-bolting

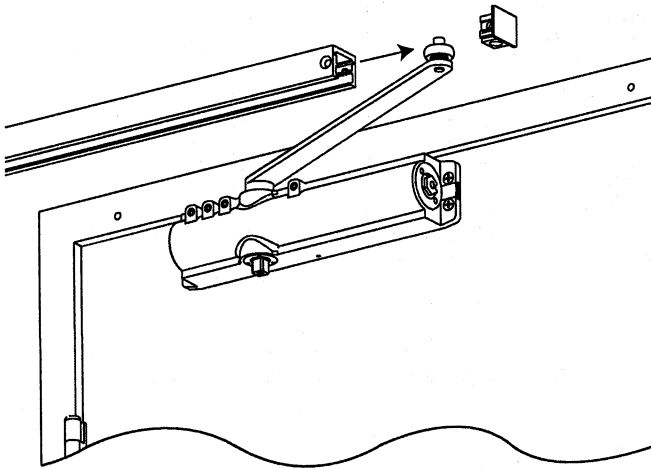
3

Align arm to mark on spindle to match hand of door.
Secure arm to spindle with screw and washer provided.
(Right hand door shown)

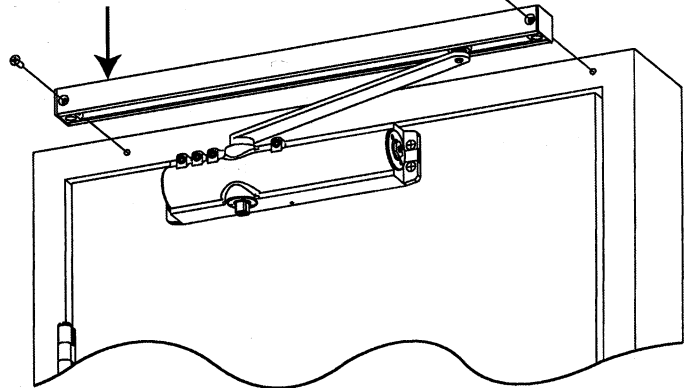


4

Slide track over roller and install end caps. Secure track to frame with screws provided.

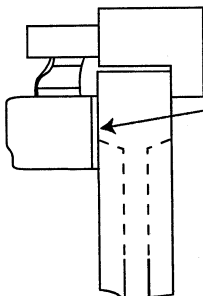


Holder or bumper option end toward hinge



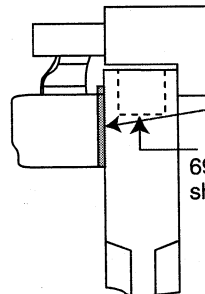
Right hand shown, left hand opposite

Accessories information



1431-J COVER PLATE

Used when closer is installed on narrow rail. Improves appearance when closer is visible through window.



1431-B PLATE

For use with closer and concealed over head stop
690 shown

2

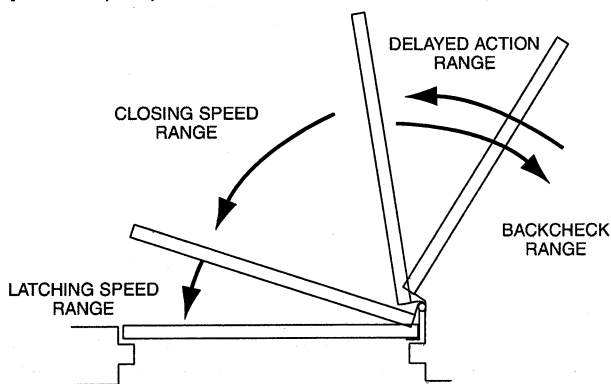
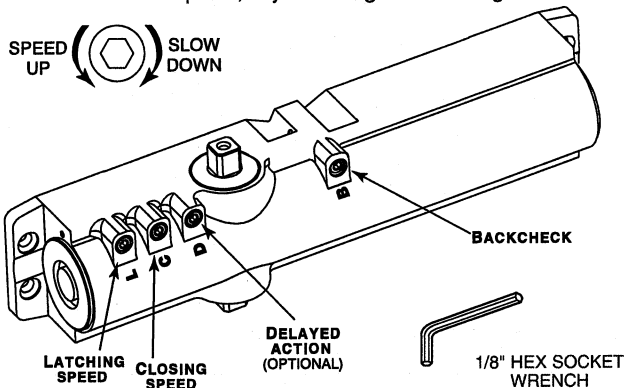
A7193E

SARGENT®

© SARGENT Manufacturing Company 2007

FINAL ADJUSTMENT AND REGULATING PROCEDURES

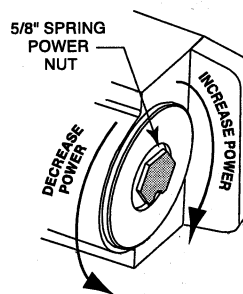
- 5** Regulate door speed, latching speed and backcheck. Recommended closing time greater than 6 seconds. If backcheck is required, adjust for slight cushioning effect. *Auxiliary door stop required. Use 1/8" hex wrench and adjust valves as needed.



*If adjustments are ineffective, check indexing as shown in step 3 and check templating

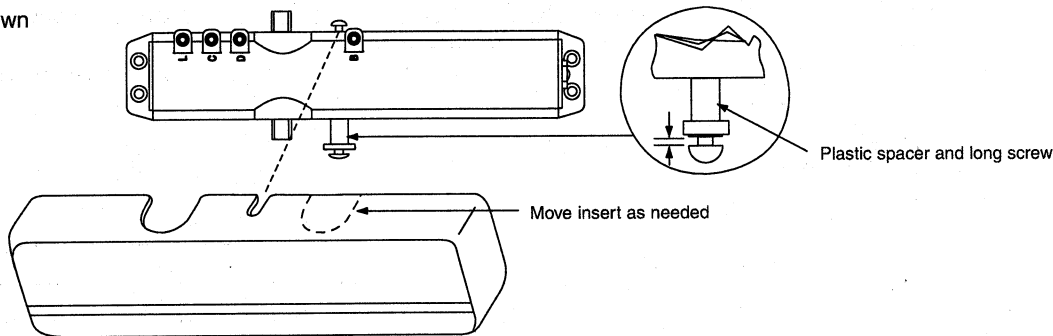
- 6** Adjust power to minimum required to reliably close and latch door

NUMBER OF TURNS OF SPRING POWER ADJUSTING NUT	
DOOR WIDTH (INCHES)	ADJUSTMENTS
24-30	Turn nut 1-3 ↻
30-36	Factory Set
36-42	Turn nut 1-3 ↻
42-48	4-6



Adjusting door to close due to high draft conditions may exceed ADA standards. Consult local ordinances when fire doors are involved.

- 7** Install cover as shown

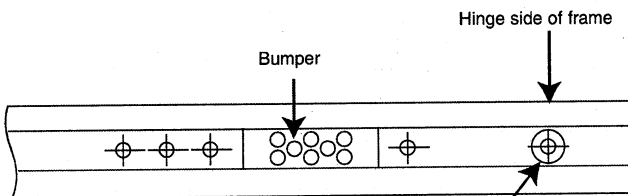


Adjustments for "B" and "H" option

"B" option

Bumper assists backcheck in cushioning the opening for door. It is not intended to replace an auxiliary door stop.

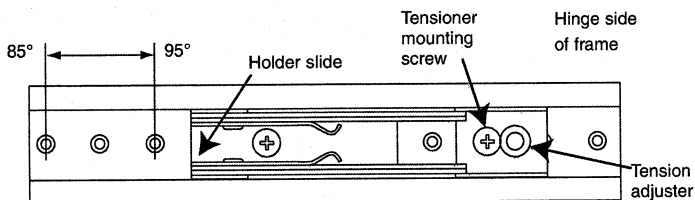
To change bumper stop location: Remove mounting screw and relocate bumper stop at desired position



NOTE: To increase degree of door opening, remove stop pin

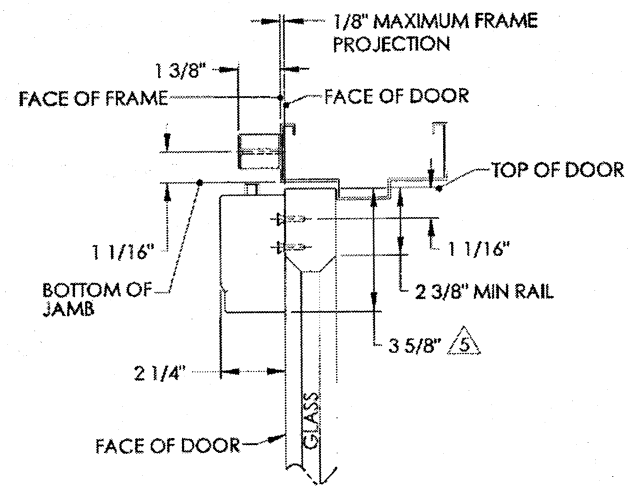
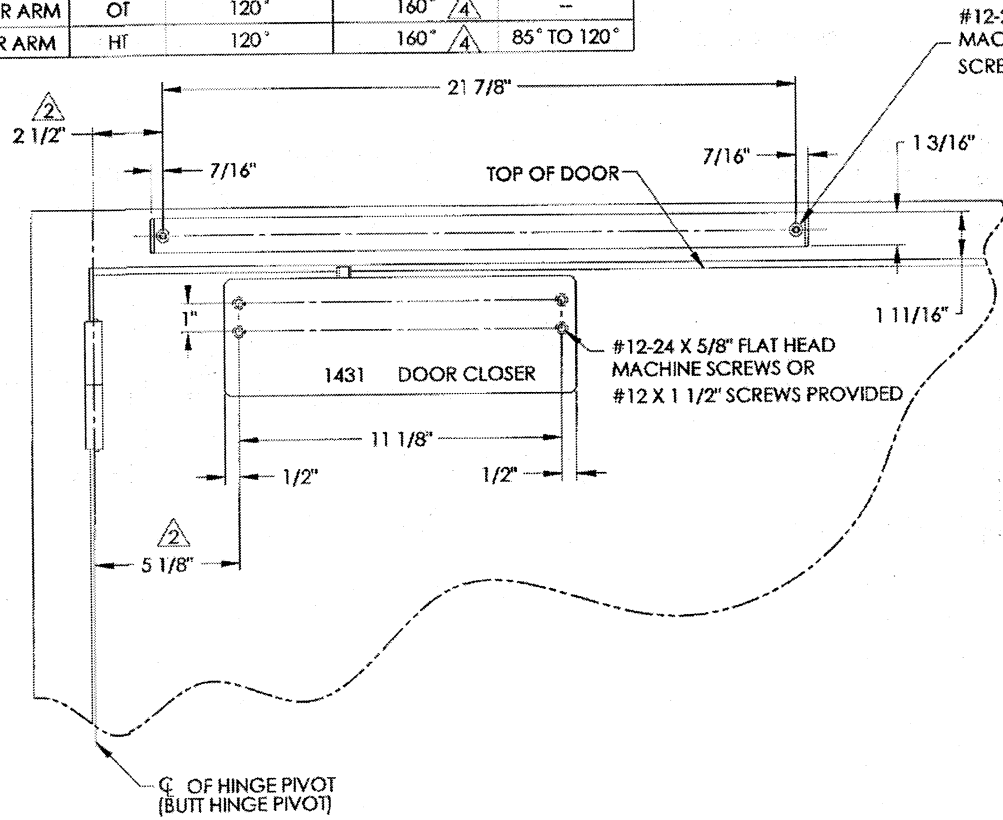
"H" option

The **holder** device is set for 95° door holding position at the factory. Tension is set at the lightest setting.



To increase holding tension: Remove tensioner mounting screw and move tension adjuster toward holder slide by using either of the two hole locations
To change hold open position: Remove holder and tensioner mounting screw, slide holder & tensioner to desired position and reinstall screws

DESCRIPTION	ARM TYPE	MAXIMUM DOOR OPENING		RANGE OF HOLD OPEN
		WITH BUMPER	WITHOUT BUMPER	
REGULAR ARM	OT	120°	160° ⁴	--
HOLDER ARM	HT	120°	160° ⁴	85° TO 120°



NOTES:

1. REINFORCE METAL DOORS AND FRAMES PER ANSI A250.8 AND SDI-100 STANDARDS. 12 GAUGE RECOMMENDED.
2. THIS DIMENSION IS TAKEN FROM THE HINGE, EDGE OF DOOR FOR INVISIBLE HINGES.
3. RIGHT HAND DOOR SHOWN, LEFT HAND OPPOSITE.
4. IF HINGE, FRAME, AND WALL CONDITIONS PERMIT, CLOSER WILL ALLOW DOOR TO OPEN 180°.
5. 1431-J COVER PLATE MAY BE USED WHEN CLOSER IS VISIBLE THRU GLASS.

SARGENT ® Manufacturing Company 100 Sargent Drive New Haven, CT 06511	
DATA SHEET: 1431-OT AND HT SERIES CLOSERS PULL SIDE TRACK APPLICATION	RELEASE DATE <i>8 Sept-06</i> TEMPLATE NO. A7188 B