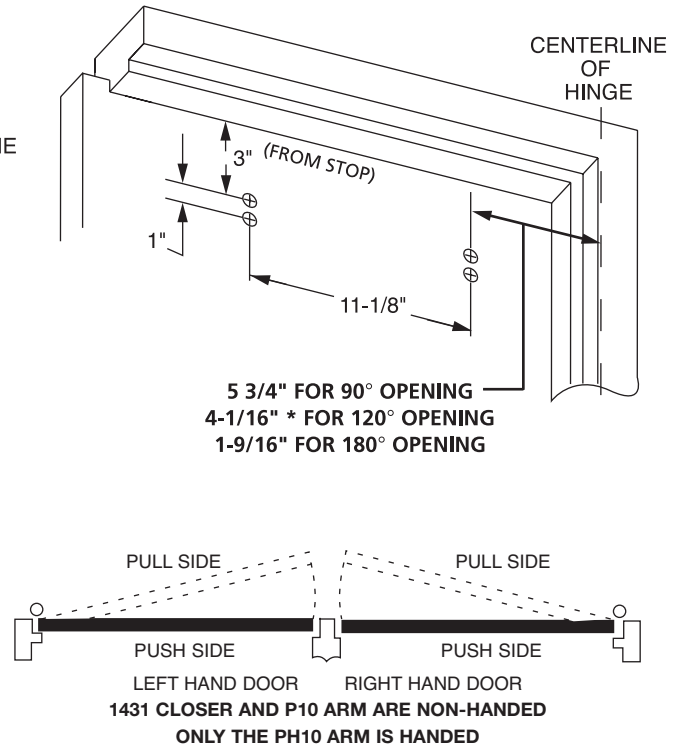
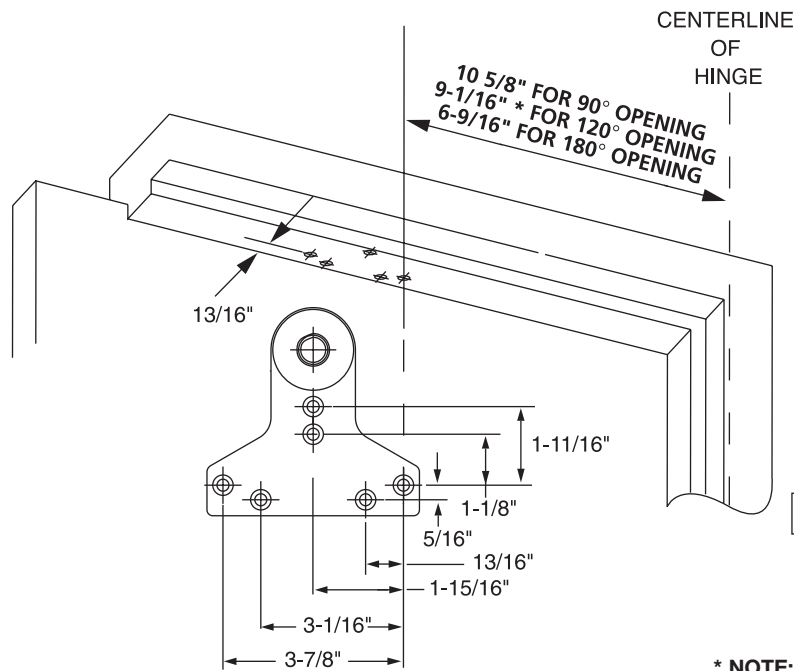


# 1431 DOOR CLOSER WITH P10/PH10 ARM INSTALLATION INSTRUCTIONS

**SARGENT**  
**ASSA ABLOY**

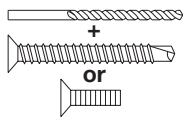
**CAUTION: FAILURE TO INSTALL OR ADJUST PROPERLY  
MAY RESULT IN INJURY OR DAMAGE.  
FOR ASSISTANCE, CALL SARGENT AT 1-800-727-5477**

- 1** LOCATE AND MARK HOLES USING FULL SIZE TEMPLATE OR MEASURE AS SHOWN BELOW  
RIGHT HAND SHOWN, LEFT HAND OPPOSITE.

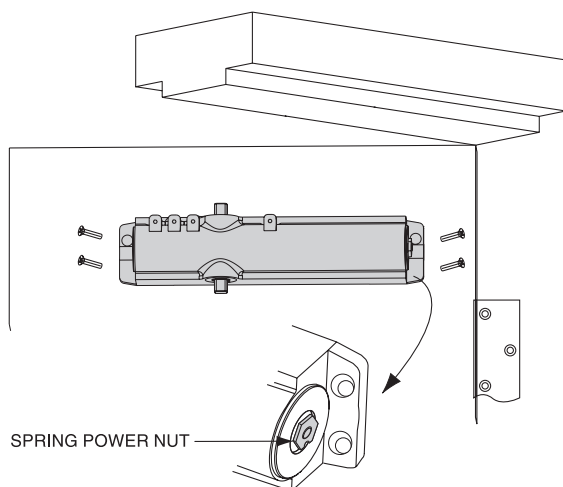


\* NOTE: FOR MAXIMUM POWER, INSTALL FOR 90° OPENING.

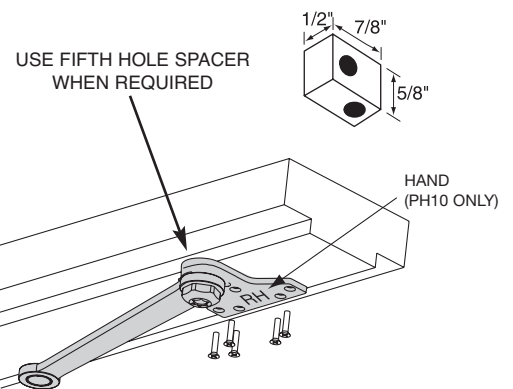
- 2** PRE-DRILL 3/32" HOLES FOR SELF TAPPING SCREWS OR USE #16 DRILL (DIA.177) AND TAP #12-24 FOR MACHINE SCREWS



- 3** ATTACH DOOR CLOSER TO DOOR WITH SPRING POWER NUT TOWARD HINGE.

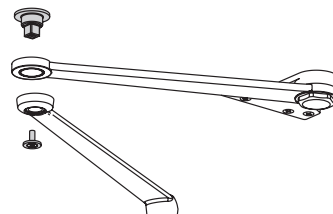


- 4** ATTACH FOOT BRACKET TO DOOR STOP.



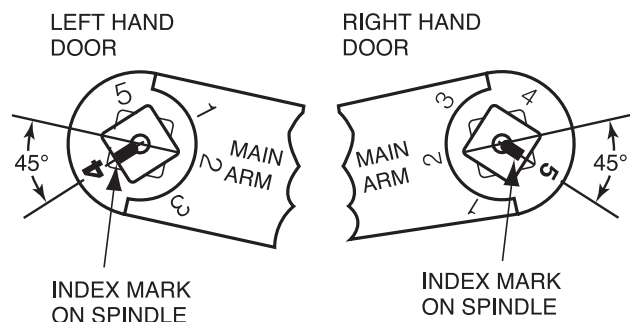
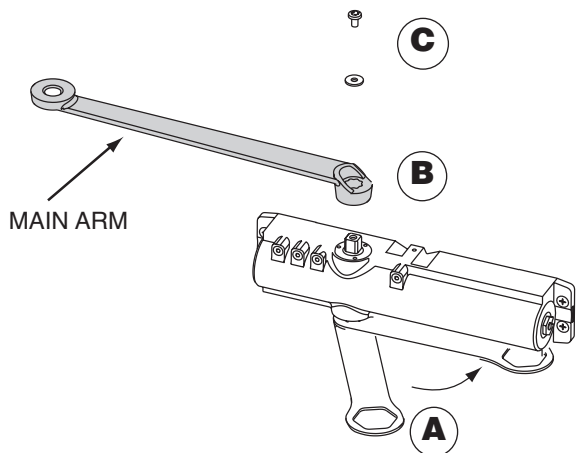
IMPORTANT: USE A MINIMUM OF 5 SCREWS

- 4A** ALTERNATE: PREASSEMBLE ARM PRIOR TO ATTACHING TO STOP



## 5 ATTACH ARM TO CLOSER

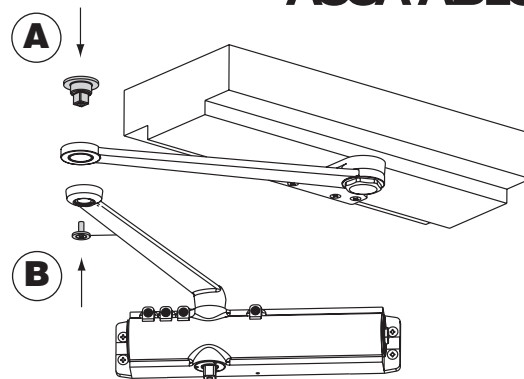
- \* A. ROTATE BOTTOM SPINDLE WITH WRENCH
- B. INSTALL MAIN ARM WITH INDEX MARK POSITIONED AS SHOWN BELOW
- C. SECURE WITH SCREW AND WASHER



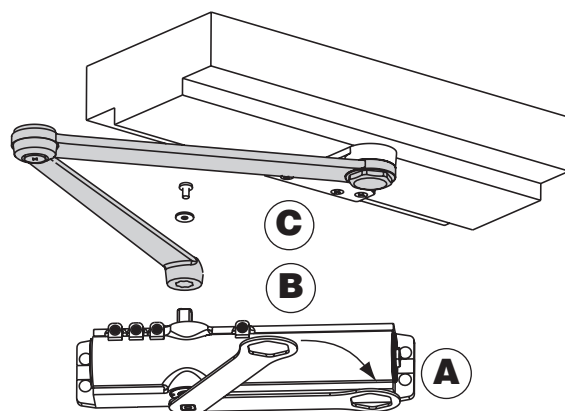
**!! \* WARNING: IF NOT PROPERLY INDEXED, DOOR CLOSER WILL NOT FUNCTION PROPERLY. !!**

- ## 6
- A. OPEN DOOR AND INSTALL PIVOT AS SHOWN
  - B. USE SCREW TO SECURE PIVOT AND ARMS AS SHOWN

**SARGENT**  
**ASSA ABLOY**

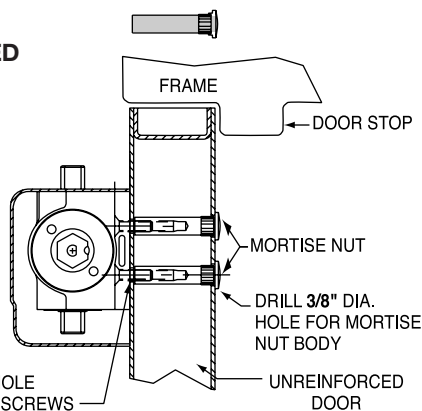


- ## 6A
- A. PREASSEMBLE ARM TO FOOT BRACKET
  - B. MOUNT ARM TO CLOSER AS SHOWN IN STEP 4



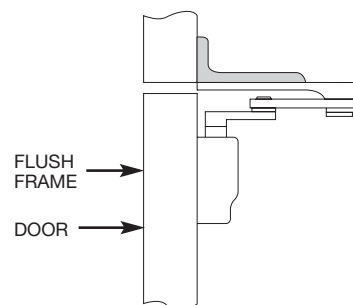
## ACCESSORIES

**OPTIONAL: USE MORTISE NUTS (TB) WHEN THROUGH-BOLTING IS REQUIRED**

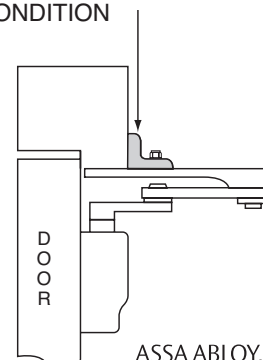


SEE PAGE 4 FOR TEMPLATING DIMENSIONS

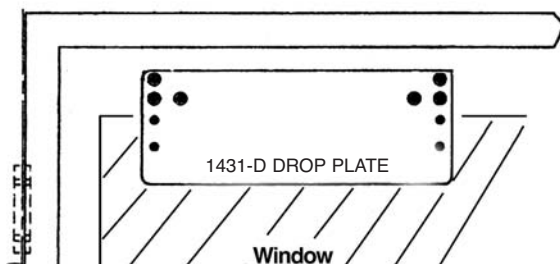
**125 VF BRACKET FOR FLUSH FRAME AND DOOR CONDITION**



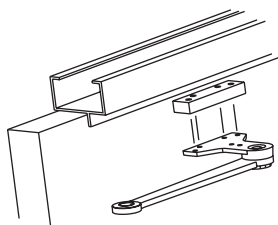
**125 V BRACKET FOR NARROW FRAME CONDITION**



**1431-D DROP PLATE USED WITH NARROW TOP RAILS**



**581-2 SPACER USED WITH BLADE STOPS**



**2**

A7387D

Copyright © 2006-2008 SARGENT Manufacturing. All rights reserved. Reproduction in whole or in part without the express written permission of SARGENT Manufacturing is prohibited.

ASSA ABLOY, the global leader in door opening solutions

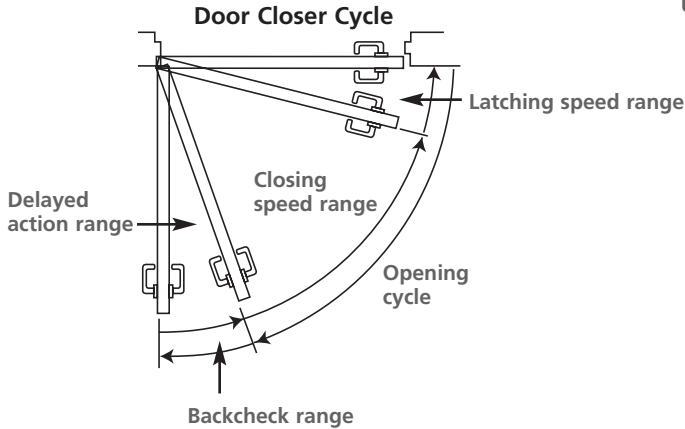
7

### FINAL ADJUSTMENT AND REGULATING PROCEDURES

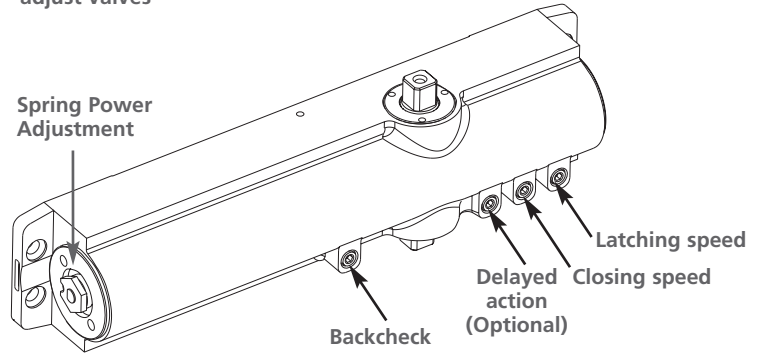
- Adjust Door speed, and Latching speed valves to achieve the desired closing time. Recommend 6 seconds minimum from 90° to the closed position.
- If Backcheck is required, adjust valve to achieve a slight cushioning effect. Auxiliary stop required.
- If closer is equipped with Delayed Action, regulate valve to achieve the desired delay.



Use 1/8" hex wrench to adjust valves



Spring Power Adjustment

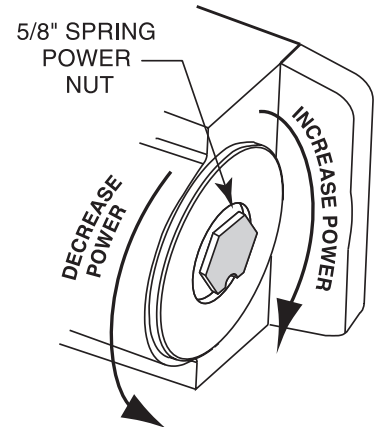


8

### ADJUST CLOSING POWER TO THE MINIMUM REQUIRED TO RELIABLY CLOSE AND LATCH DOOR

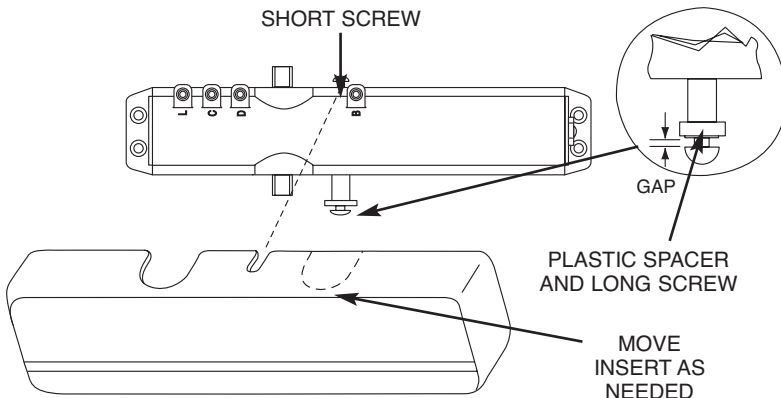
- If door is hard to open, decrease power slightly
- If door does not latch, increase power as required
- Use the chart as a starting point
- Doors adjusted with high closing power to overcome strong draft conditions may exceed ADA standards.

SPRING POWER ADJUSTMENT GUIDELINES	
DOOR WIDTH (INCHES)	1431 DOOR CLOSER
24-30	TURN nut 1-3
30-36	FACTORY SET
36-42	TURN nut 1-3
42-48	TURN nut 7-9



9

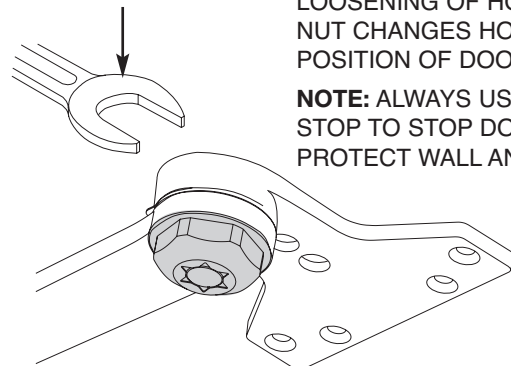
### INSTALL COVER AS SHOWN



10

### ADJUSTMENT OF HOLD OPEN ARM (PH10 ARM ONLY)

1-3/8" WRENCH



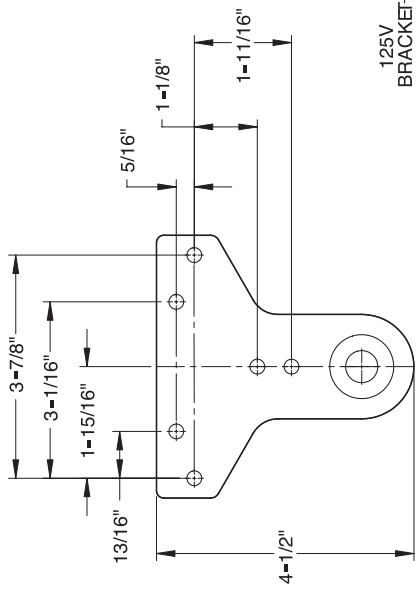
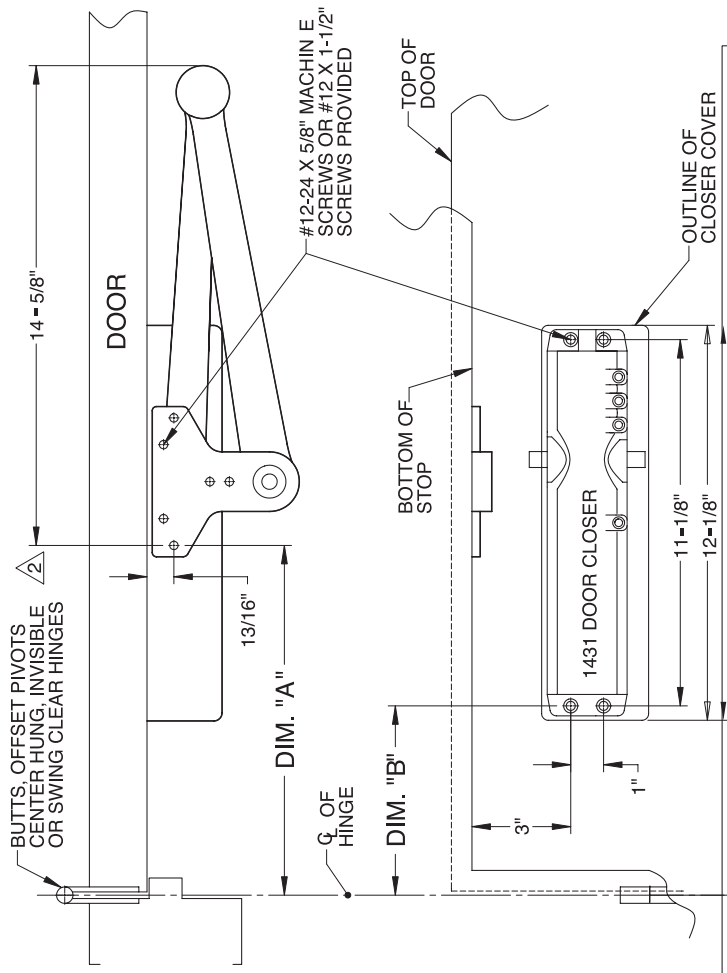
SLIGHT TIGHTENING OR LOOSENING OF HOLD OPEN NUT CHANGES HOLDING POSITION OF DOOR

**NOTE:** ALWAYS USE A DOOR STOP TO STOP DOOR TO PROTECT WALL AND TRIM

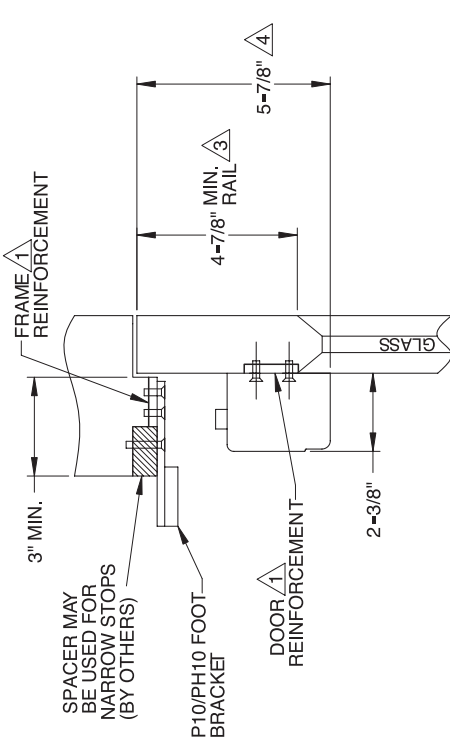
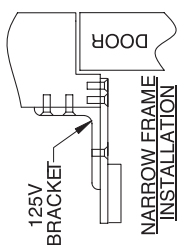
# SARGENT®

## ASSA ABLOY

MAX. DEG. OF OPENING	"A"	"B"
90°	10-5/8"	5-3/4"
120°	9-1/16"	4-1/16"
180°	6-9/16"	1-9/16"



P10 FOOT BRACKET DETAIL



- NOTES:
- REINFORCE METAL DOORS AND FRAMES PER ANSI A250.8 AND SDI-100 STANDARDS, 12 GAUGE RECOMMENDED.
  - DIMENSION "A" AND "B" ARE TAKEN FROM THE EDGE OF THE DOOR FOR INVISIBLE HINGES.
  - FOR THIN RAIL DOORS, USE 1431-D DROP PLATE, SEE TEMPLATE A7168.
  - 1431-J COVER PLATE MAY BE USED WHEN CLOSER IS VISIBLE THROUGH GLASS.
  - LEFT HAND DOOR SHOWN, RIGHT HAND OPPOSITE.

**SARGENT®** Manufacturing Company  
100 Sargent Drive New Haven, CT 06511

DATA SHEET: 1431 SERIES DOOR CLOSER WITH P10 OR PH10 HEAVY DUTY PARALLEL ARM

RELEASE DATE: \_\_\_\_\_  
TEMPLATE NO.: A7392 C

Copyright © 2006-2008 SARGENT Manufacturing. All rights reserved. Reproduction in whole or in part without the express written permission of SARGENT Manufacturing is prohibited.

ASSA ABLOY, the global leader in door opening solutions