

# 1431 (POT or PHT) PUSH TRACK APPLICATION INSTALLATION INSTRUCTIONS

**SARGENT**

**ASSA ABLOY**

**CAUTION: FAILURE TO INSTALL OR ADJUST PROPERLY  
MAY RESULT IN INJURY OR DAMAGE**

For assistance, contact SARGENT at 800-727-5477 or [www.sargentlock.com](http://www.sargentlock.com)

**NOTE: AN AUXILIARY DOOR STOP IS REQUIRED**

**A** DRILL AND TAP DOOR AND FRAME. SEE PAGE 4 FOR DIMENSIONS

LEFT HAND DOOR SHOWN

Pre-drill - 3/32" holes for self tapping screws or #16 drill for #12-24 tap for machine screws

LEFT HAND DOOR      RIGHT HAND DOOR

HINGE SIDE      HINGE SIDE

STOP SIDE      STOP SIDE

**B** WITH PROVIDED FASTENERS, SECURE CLOSER BODY TO DOOR WITH POWER ADJUSTMENT FACING TOWARDS HINGE.

WHEN USING MORTISE NUTS:

DRILL 1/4" DIA. HOLE FOR MOUNTING SCREWS

DRILL 3/8" DIA. HOLE FOR MORTISE NUT BODY

UNREINFORCED DOOR

**C** WITH A WRENCH, ROTATE THE BOTTOM SPINDLE INTO POSITION SHOWN. ALIGN ARM TO MARK ON SPINDLE TO MATCH HAND OF DOOR. SECURE ARM TO SPINDLE WITH SCREW AND WASHER PROVIDED. (LEFT HAND DOOR SHOWN)

LEFT HAND      RIGHT HAND

POSITION OF ARM WHEN ASSEMBLING TO SPINDLE

INDEX MARK ON SPINDLE

45°

WARNING: IF NOT PROPERLY INDEXED, DOOR CLOSER WILL NOT OPERATE PROPERLY

POSITION OF ARM WHEN ASSEMBLING TO SPINDLE

INDEX MARK ON SPINDLE

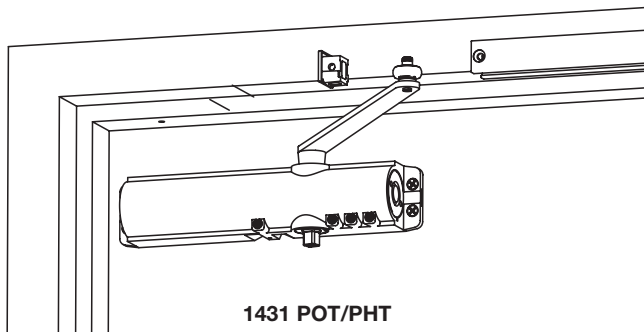
45°

D

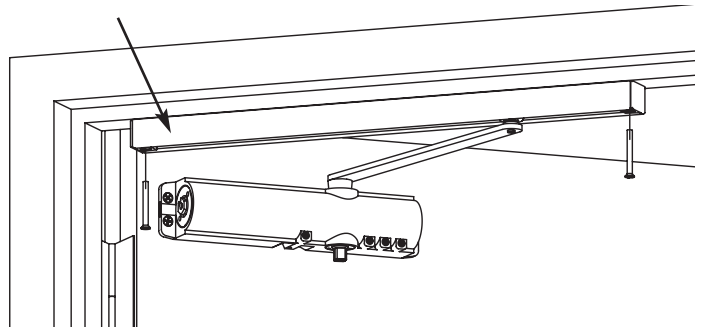
**SARGENT**  
**ASSA ABLOY**

SLIDE TRACK OVER ROLLER AND INSTALL END CAPS.

SECURE TRACK TO FRAME WITH SCREWS PROVIDED. HOLDER/BUMPER OPTION END TOWARD HINGE



1431 POT/PHT



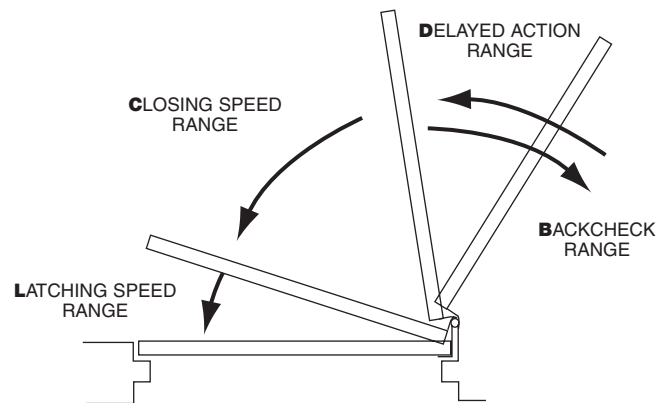
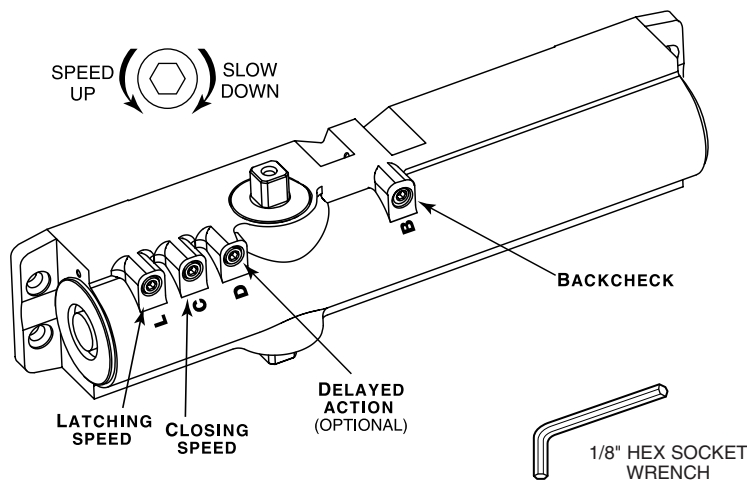
E

**FINAL ADJUSTMENT AND REGULATING PROCEDURE**

Adjust Door speed, and Latching speed valves to achieve the desired closing time. Recommend 6 seconds minimum from 90° to the closed position.

If Backcheck is required, adjust valve to achieve a slight cushioning effect. Auxiliary stop required.

If closer is equipped with Delayed Action, regulate valve to achieve the desired delay.



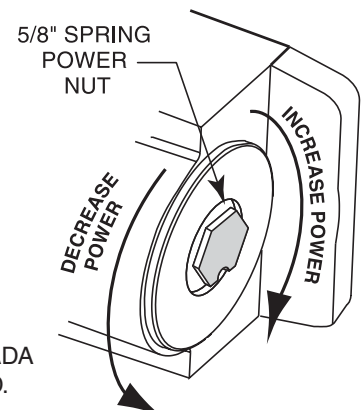
**ADJUST POWER TO ALLOW DOOR TO CLOSE AND LATCH.**

Adjust closing power to the minimum required to reliably close and latch door.

- If door is hard to open, decrease power slightly.
- If door does not latch, increase power as required.
- Use the chart as a starting point.
- Doors adjusted with high closing power to overcome strong draft conditions may exceed ADA standards.

DOOR WIDTH (INCHES)	1431 DOOR CLOSER
24-30	TURN nut 1-3 CCW
30-36	FACTORY SET
36-42	TURN nut 1-3 CW
42-48	4-6 CW

ADJUSTING DOOR TO CLOSE DUE TO HIGH DRAFT CONDITIONS MAY EXCEED ADA STANDARDS. CONSULT LOCAL ORDINANCES WHEN FIRE DOORS ARE INVOLVED.



2

Copyright © SARGENT Manufacturing. All rights reserved. Reproduction in whole or in part without the express written permission of SARGENT Manufacturing is prohibited.

A7194E

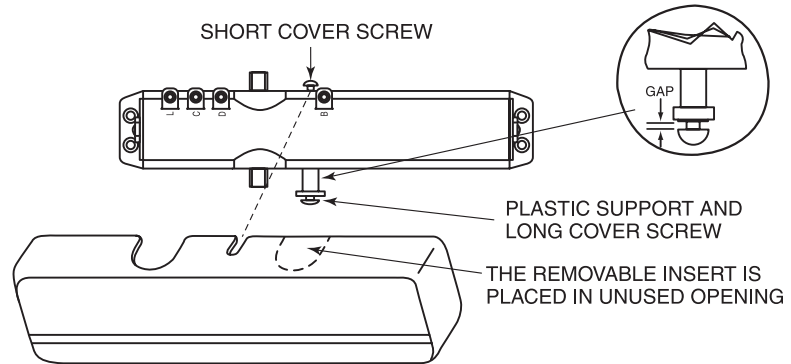
ASSA ABLOY, the global leader in door opening solutions

# F ACCESSORIES INFORMATION

**SARGENT**  
**ASSA ABLOY**

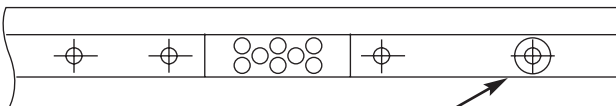
## INSTALL COVER AS FOLLOWS:

1. SCREW SHORT COVER SCREW (#8-35 x 5/16) INTO TOP OF CASE APPROXIMATELY 2 TURNS
2. ASSEMBLE PLASTIC SUPPORT AND LONG COVER SCREW (# 8-32 x 1-1/4 ) INTO BOTTOM OF CASE APPROXIMATELY 2 TURNS.
3. HOLD SUPPORT AGAINST CASE AND SLIDE COVER INTO GAP BETWEEN FLANGE AND SCREW HEAD
4. POSITION COVER ON CLOSER AND TIGHTEN SCREWS



BUMPER ASSISTS BACKCHECK IN CUSHIONING THE OPENING FOR DOOR. IT IS NOT INTENDED TO REPLACE AN AUXILIARY DOOR STOP.

TO CHANGE BUMPER STOP LOCATION—REMOVE MOUNTING SCREW AND RELOCATE BUMPER STOP AT DESIRED POSITION.

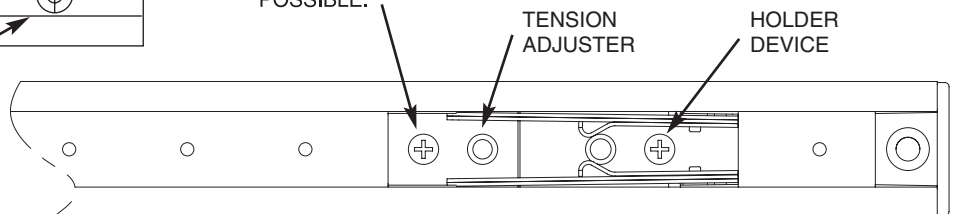


Mounting screw

FOR MODELS HAVING HOLDER TRACKS;

THE HOLDER DEVICE IS SET FOR 95° DOOR HOLDING POSITION AT THE FACTORY AND THE HOLDER TENSION IS SET AT THE LIGHTEST OF THE THREE SETTINGS.

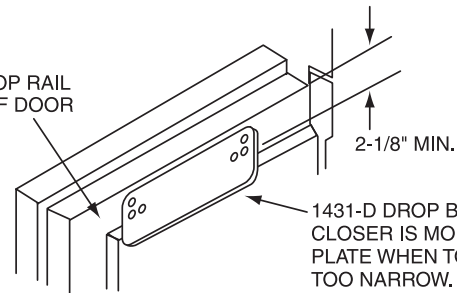
TO INCREASE HOLDING TENSION REMOVE MOUNTING SCREW AND MOVE TENSION ADJUSTER TOWARD HOLDER SLIDE BY USING EITHER OF THE TWO HOLE LOCATIONS. TWO POSITIONS OF TENSION ARE POSSIBLE.



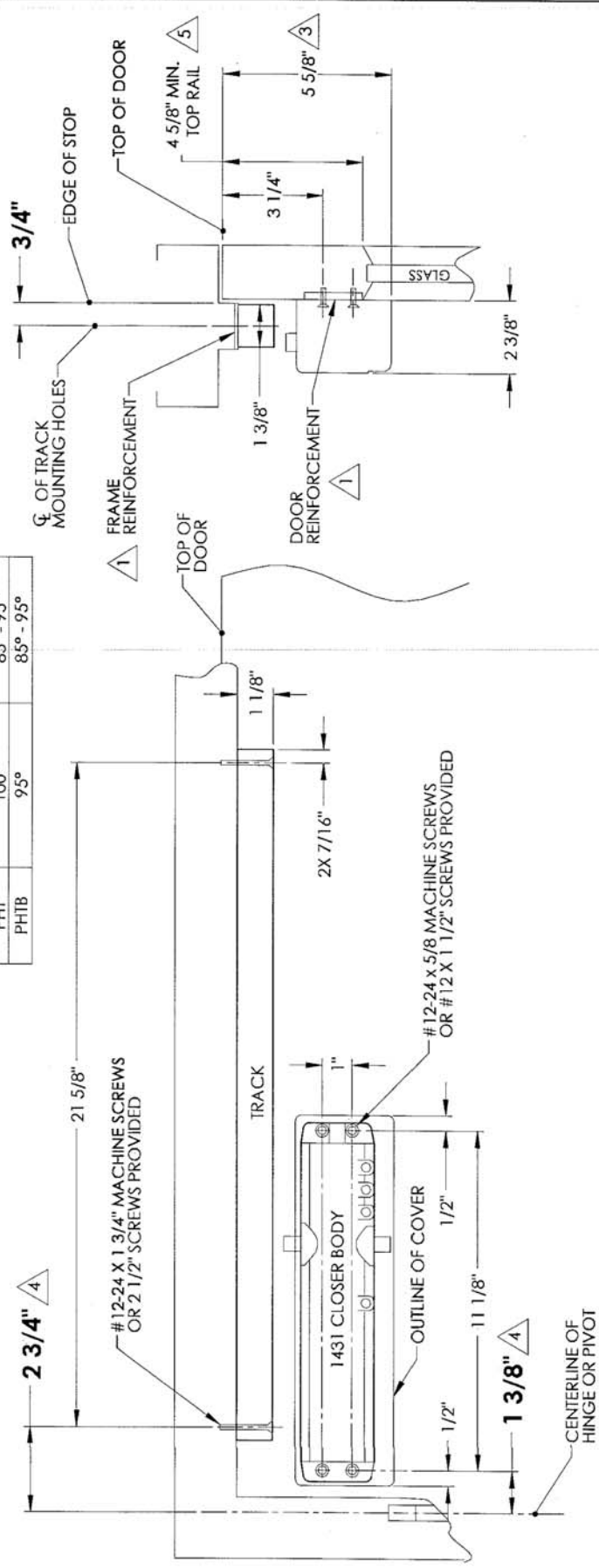
TOP RAIL OF DOOR

2-1/8" MIN.

1431-D DROP BRACKET. CLOSER IS MOUNTED ON PLATE WHEN TOP RAIL IS TOO NARROW.



ARM TYPE	MAXIMUM DOOR OPENING	RANGE OF HOLD OPEN
POT	100°	-
POTB	95°	-
PHT	100°	85° - 95°
PHTB	95°	85° - 95°



- NOTES**
1. REINFORCE METAL DOORS AND FRAMES PER SDI-100 AND ANSI 250.8 STANDARDS, 12 GAUGE RECOMMENDED.
  2. LEFT HAND DOOR SHOWN, RIGHT HAND OPPOSITE.
  3. THE 1431-J COVER PLATE MAY BE USED WHEN CLOSER IS VISIBLE THROUGH GLASS.
  4. FOR INVISIBLE HINGES LOCATE CLOSER AND TRACK FROM EDGE OF DOOR.
  5. THE MINIMUM TOP RAIL CAN BE REDUCED BY 13/16" USING A 1431-D PLATE. SEE TEMPLATE A7168.

**SARGENT** Manufacturing Company  
100 Sargent Drive New Haven, CT 06511

RELEASE DATE: 5 May 06  
TEMPLATE NO.: A7189

DATA SHEET:  
1431-POT & PHT INSTALLATION  
(PUSH SIDE TRACK)