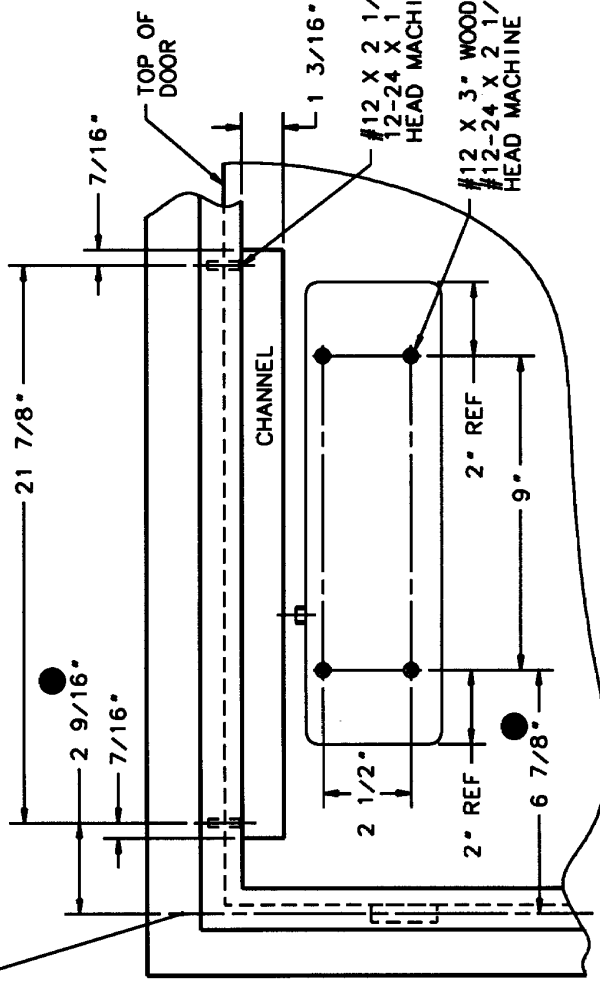


DESCRIPTION	ARM TYPE	MAXIMUM DOOR OPENING		RANGE OF HOLD OPEN
		WITH BUMPER	WITHOUT BUMPER	
REGULAR ARM	POT/POTB	95°	100°	85° TO 95°
HOLDER ARM	PHT/PHTB	95°	100°	

④ HINGE PIVOT (BUTTS, OFFSET PIVOTS, CENTER HUNG OR INVISIBLE HINGES)

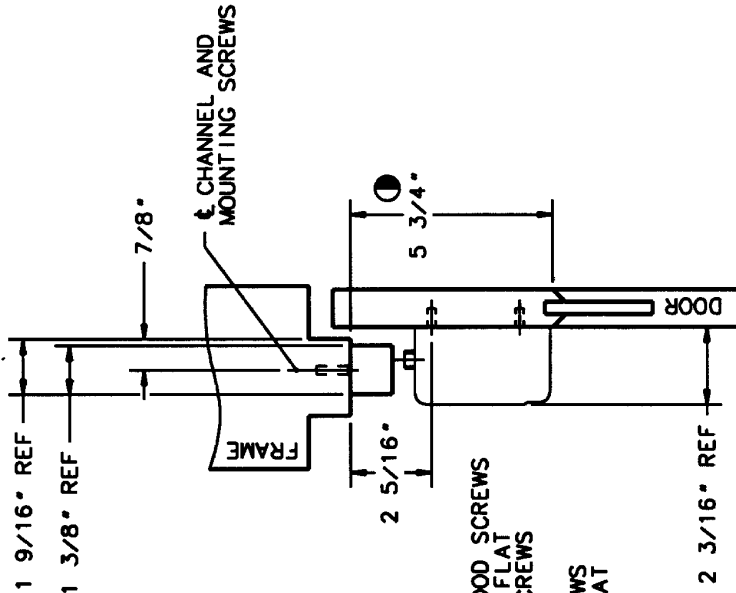


③ THIS DIMENSION IS TAKEN FROM HINGE EDGE OF DOOR FOR INVISIBLE HINGES.

② LEFT HAND DOOR SHOWN. RIGHT HAND DOOR OPPOSITE.

① 12 GAUGE MIN. REINFORCEMENT REQUIRED FOR METAL DOORS AND FRAMES.

④ SPACE REQUIRED TO MOUNT CLOSER ON RAIL. IF SPACE IS LESS THAN SHOWN USE 351-D DROP PLATE. SEE DATA SHEET A6745 FOR DETAILS.



SARGENT MFG. COMPANY

NEW HAVEN, CONN. 06511

DATA SHEET: 351 SERIES CLOSER TRACK TYPE APPLICATION (PUSH SIDE MOUNTING) POT/POTB AND PHT/PHTB ARMS

EFFECTIVE DATE

SEPT. 99

TEMPLATE NO.

A6750 B

SARGENT

ASSA ABLOY

A7346B

PAGE

4

351 WITH POT,POTB,PHT,PHTB ARM AND TRACK INSTALLATION INSTRUCTIONS (PULL SIDE)

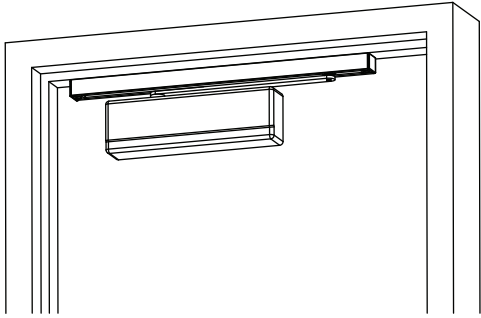
SARGENT
ASSA ABLOY

For assistance contact SARGENT at 800-727-5477 or www.sargentlock.com

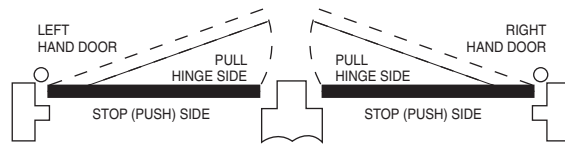
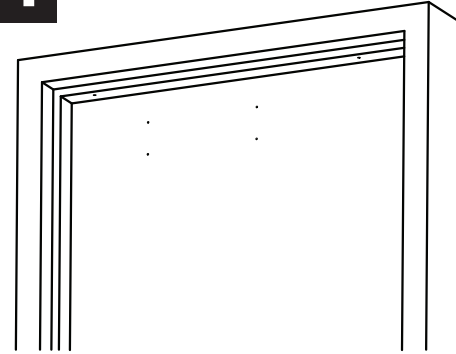
NOTE: AN AUXILIARY STOP IS REQUIRED

1

DRILL AND TAP DOOR AND FRAME, USE TEMPLATE ON PAGE 4 FOR DIMENSIONS



PUSH SIDE MOUNTING
TRACK MOUNTED ON A STOP

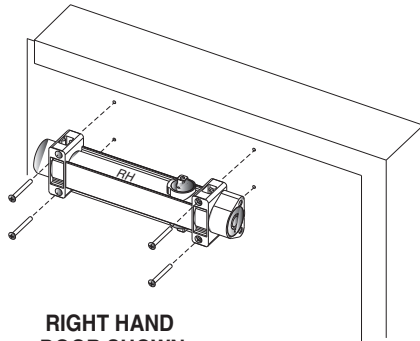


Pre-drill - 3/32" holes
for self tapping screws or #16 drill for
#12-24 tap for machine screws
(Use 1/8" hole for fire rated wood doors)

2

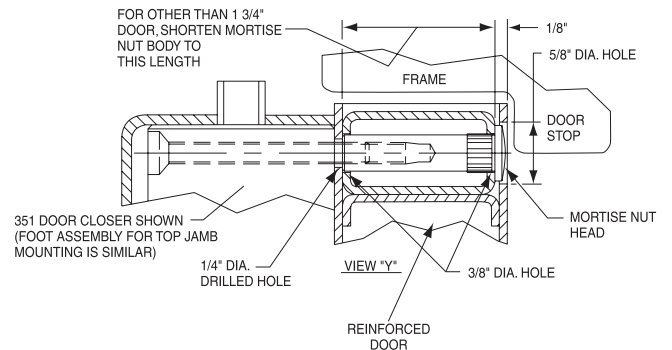
WITH PROVIDED FASTENERS, SECURE CLOSER BODY TO DOOR WITH SPRING POWER ADJUSTMENT AWAY FROM HINGE

351 CLOSER BODIES ARE NOT HANDED. IT IS IMPORTANT THAT THE CLOSER BODY BE MOUNTED AS FOLLOWS: RH SYMBOL FACING UP FOR RIGHT HAND DOOR. LH SYMBOL FACING UP FOR LEFT HAND DOOR.



RIGHT HAND
DOOR SHOWN

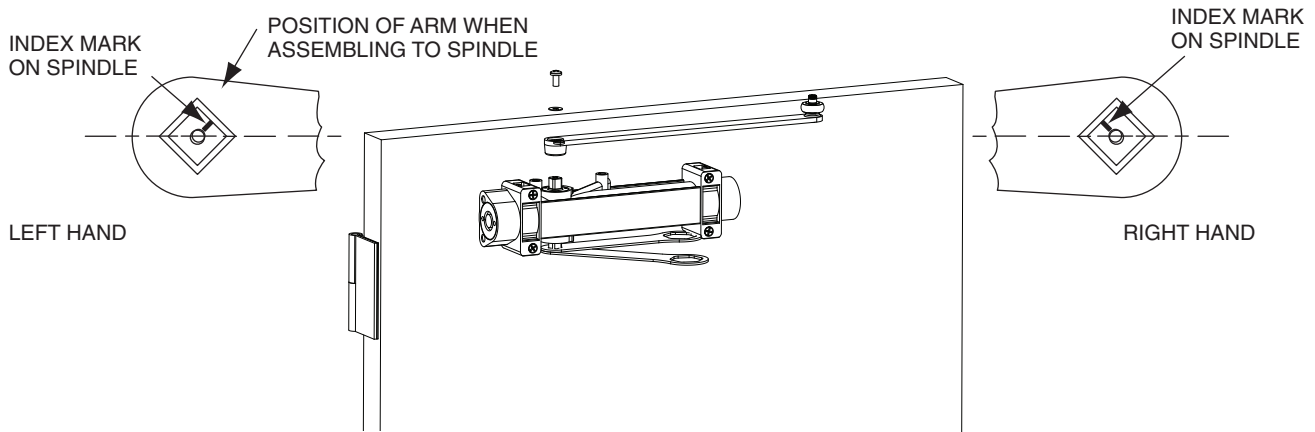
WHEN USING MORTISE NUTS:



SARGENT 351 SERIES SHOWN

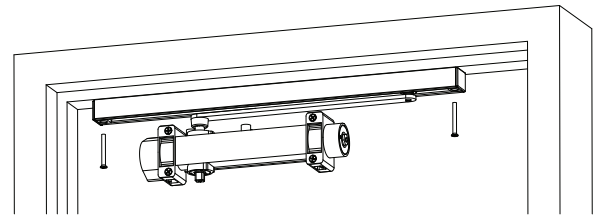
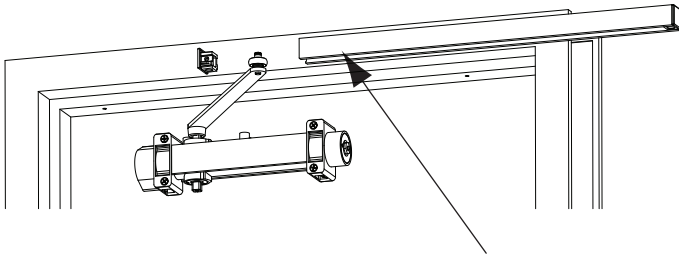
3

WITH A WRENCH ROTATE THE BOTTOM SPINDLE (Approximately 45°) INTO POSITION AS SHOWN. ALIGN ARM TO MARK ON SPINDLE TO MATCH HAND OF DOOR. SECURE ARM TO SPINDLE WITH SCREW AND WASHER PROVIDED.



SLIDE TRACK OVER ROLLER AND INSERT END CAPS

SECURE TRACK TO FRAME WITH SCREWS PROVIDED



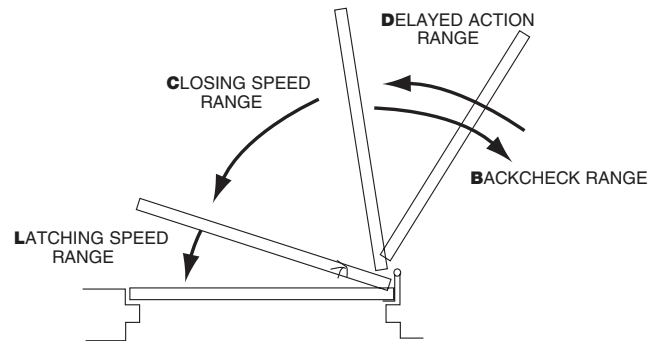
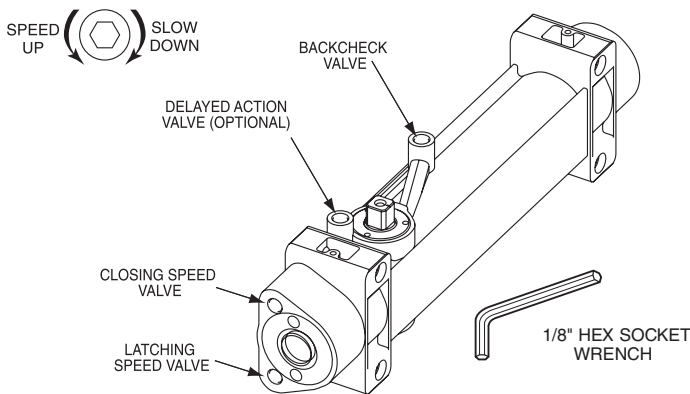
NOTE: WHEN HOLD OPEN OR BUMPER OPTION IS USED, MOUNT TRACK WITH DEVICE TOWARD HINGE EDGE OF DOOR.

ADJUSTING CLOSING SPEEDS

Adjust Door speed, and Latching speed valves to achieve the desired closing time. Recommend 6 seconds minimum from 90° to the closed position.

If Backcheck is required, adjust valve to achieve a slight cushioning effect. Auxiliary stop required.

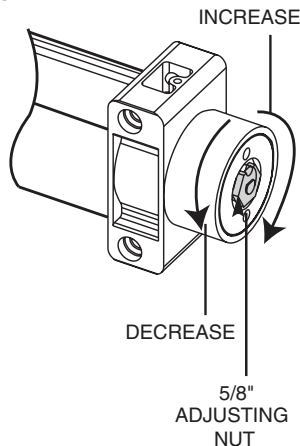
If closer is equipped with Delayed Action, regulate valve to achieve the desired delay.



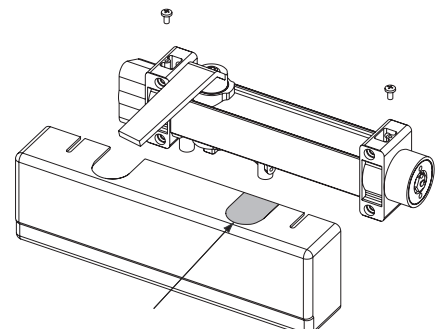
Adjust closing power to the minimum required to reliably close and latch door.

- If door is hard to open, decrease power slightly.
- If door does not latch, increase power as required.
- Use the chart as a starting point.
- Doors adjusted with high closing power to overcome strong draft conditions may exceed ADA standards.

NUMBER OF TURNS OF SPRING POWER ADJUSTING NUT		
DOOR WIDTH (INCHES)	EXTERIOR DOORS	♿ INTERIOR DOORS
24-30	TURN NUT 1-3 ↙	TURN NUT 1-3 ↙
30-36	FACTORY SET	FACTORY SET
36-42	TURN NUT 1-4 ↘	TURN NUT 1-3 ↘
42-48	TURN NUT 7-9 ↘	TURN NUT 4-6 ↘



INSTALL COVER AS SHOWN.



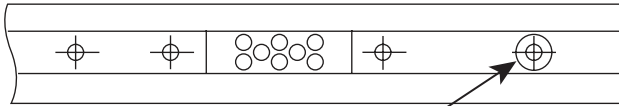
INSERT IS REMOVABLE. PLACE IN UNUSED OPENING.

ADJUSTING DOOR TO CLOSE DUE TO HIGH DRAFT CONDITIONS MAY EXCEED ADA STANDARDS. CONSULT LOCAL ORDINANCES WHEN FIRE DOORS ARE INVOLVED.

OPTIONS

BUMPER ASSISTS BACKCHECK IN CUSHIONING THE OPENING FOR DOOR. IT IS NOT INTENDED TO REPLACE AN AUXILIARY DOOR STOP.

TO CHANGE BUMPER STOP LOCATION—REMOVE MOUNTING SCREW AND RELOCATE BUMPER STOP AT DESIRED POSITION.

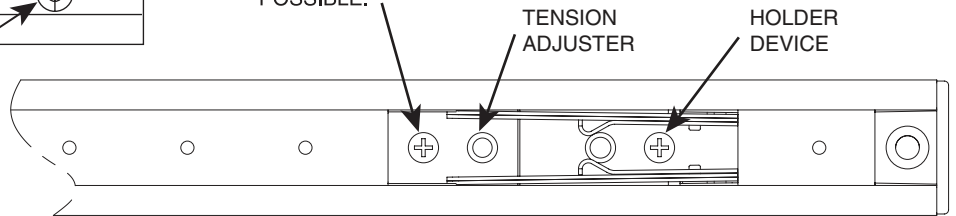


MOUNTING SCREW

FOR MODELS HAVING HOLDER TRACKS

THE HOLDER DEVICE IS SET FOR 95° DOOR HOLDING POSITION AT THE FACTORY AND THE HOLDER TENSION IS SET AT THE LIGHTEST OF THE THREE SETTINGS.

TO INCREASE HOLDING TENSION REMOVE MOUNTING SCREW AND MOVE TENSION ADJUSTER TOWARD HOLDER SLIDE BY USING EITHER OF THE TWO HOLE LOCATIONS. TWO POSITIONS OF TENSION ARE POSSIBLE.



TENSION ADJUSTER

HOLDER DEVICE