

## 281 Powerglide Series

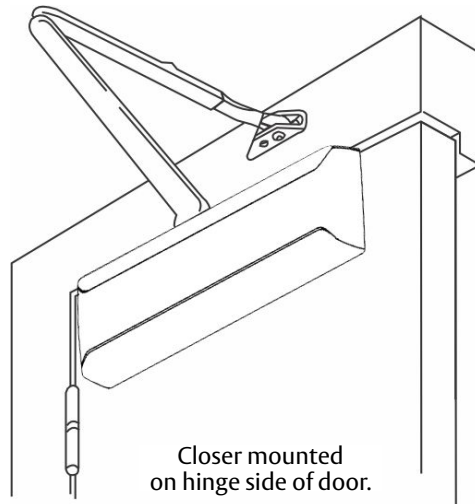
### Closer with Regular Arms (Without Holder)

281 Series Non Sized Adjustable from Sizes 1 thru 6

#### Standard Application

(Type 25-O Arm)

Use instructions on page 3



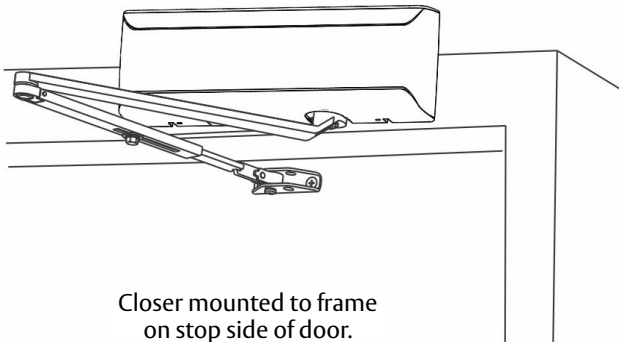
Closer mounted  
on hinge side of door.

**NOTE:** For 08 and OLC type arms mounting,  
see data sheets provided with arm.

#### Top Jamb Application

(Type 25-O, 25-OZ, and 25-OZA Arms)

Use instructions on page 4

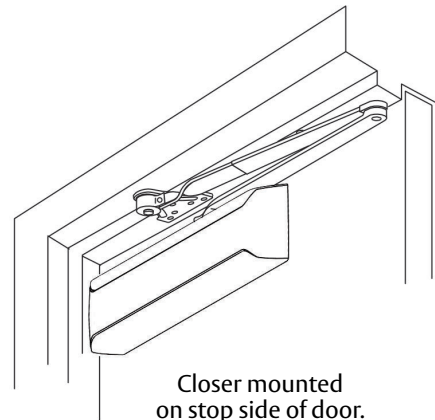


Closer mounted to frame  
on stop side of door.

#### Parallel Arm Application

(Type 25-P9)

Use instructions on page 5



Closer mounted  
on stop side of door.

# 281 Series

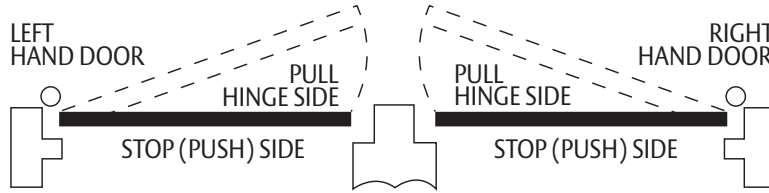
## Closer with Regular Arms

### Installation Instructions

**SARGENT**

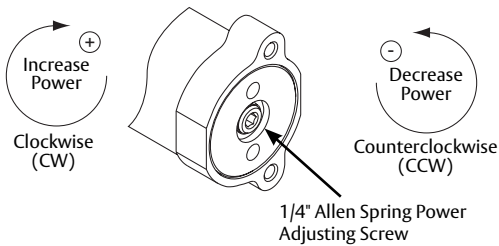
**ASSA ABLOY**

### To Determine Your Hand of Door



### Spring Power Adjustment

Adjust spring according to the appropriate application chart.



Standard and Top Jamb Applications			
Number of Turns of Spring Power Adjusting Screw From Factory Setting (Use Chart as Guide ONLY)			
Door Width in (mm)	Approximate Door Weight (Pounds)	281 Exterior Doors	Interior Doors*
24 (610)	80	Factory Set	—
30 (762)	110	1-5 CW	1-5 CCW
32 (813)	115		
36 (914)	130	5-8 CW	Factory Set
40 (1016)	150	8-13 CW	
42 (1067)	155	13-15 CW	1-5 CW
44 (1118)	165		
46 (1168)	170	up to 19 CW as req.	5 CW & up as req.
48 (1219)	180		
over 48 (1219)	—		

Parallel Arm Application Only			
Number of turns of Spring Power Adjusting Screw From Factory Setting (Use Chart as Guide ONLY)			
Door Width in (mm)	Approximate Door Weight (Pounds)	281 Exterior Doors	Interior Doors*
24 (610)	80	2-7 CW	—
30 (762)	110		
32 (813)	115	7-11 CW	1-5 CCW
36 (914)	130		
40 (1016)	150	11-15 CW	Factory Set
42 (1067)	155		
44 (1118)	165	15-17 CW	1-8 CW
46 (1168)	170		
48 (1219)	180	up to 19 CW as req.	8 CW & up as req.
over 48 (1219)	—		

\*If interior doors do not have to comply with ADA requirements, exterior door settings are recommended. Where strong drafts exist, increase spring power as needed by turning spring adjustment screw clockwise. If necessary, reduce spring power by turning screw counterclockwise.

# 281 Series

## Closer with Regular Arms

**SARGENT**

**ASSA ABLOY**

### Installation Instructions

### 281 Standard Application Instructions

#### 1. Prepare door and frame.

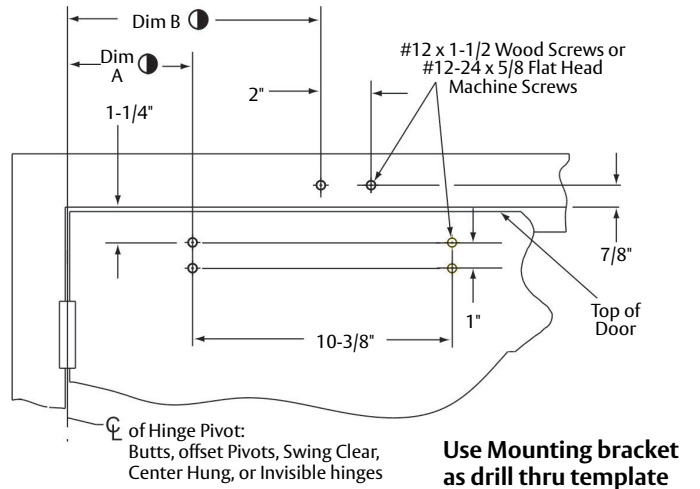
Arm Type	Mounting	Max Door Opening	Dim A	Dim B
Regular Arm No Holder	Standard	120°	7"	12-1/8"
	Alternate	160°	5"	10-1/8"

● If Butt, Frame, and Wall conditions permit, door will open 180°

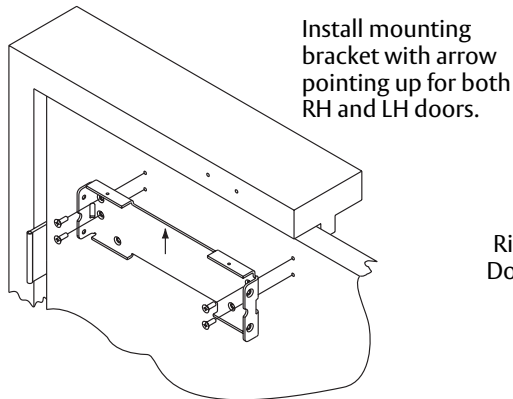
**NOTES:**

1. Right hand door shown, left hand door opposite.
2. ● This dimension is taken from hinge edge of door for invisible hinges.
3. Drill and tap and use screws provided or use mortise nuts when required.

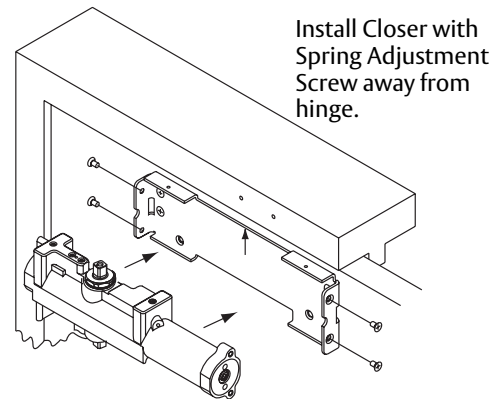
Alternate mounting is recommended for ADA compliant doors



#### 2. Mount bracket and closer to door.

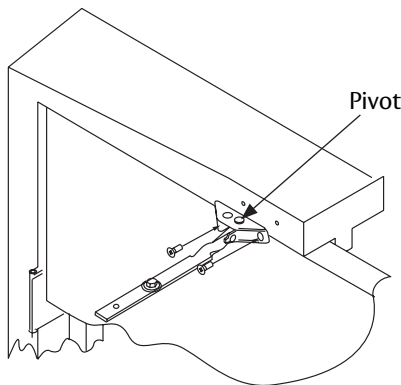


Right Hand Door Shown



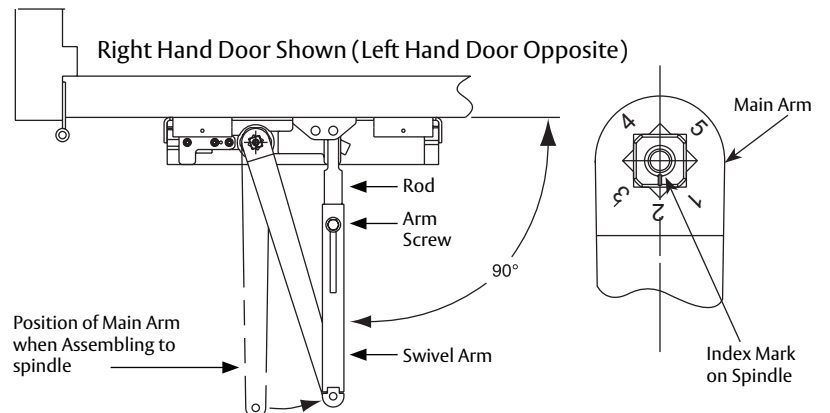
#### 3. Attach foot and pivot to frame.

Attach foot to frame with pivot away from hinge.



#### 4. Attach Arm.

Attach arm with index mark on spindle aligned as shown. Secure with screw and washer. Insert rod end into swivel arm and tighten arm screw.



You've installed the 281 Powerglide Series Closer - Standard Mount.

● Go to page 6 for closer adjustments and cover installation.

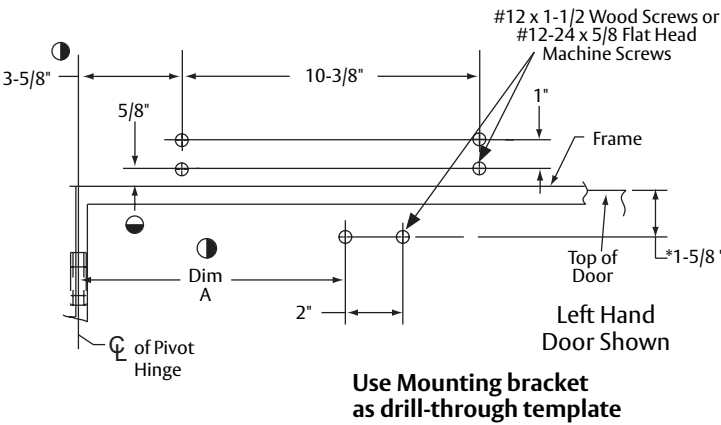
# 281 Series

## Closer with Regular Arms

### Installation Instructions

### 281 Top Jamb Application Instructions

#### 1. Prepare door and frame.



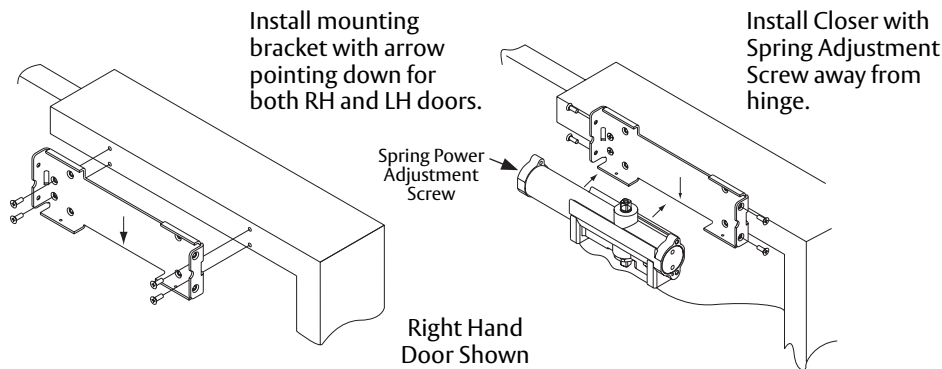
Arm Type	Reveal Depth	Dim A	Max Door Opening
"O" Arm	0" to 2"	9-5/16"	180°
"OZ" Arm	2-1/8" to 5"	10-1/8"	140°
"OZA" Arm	5-1/8" to 8"	10-15/16"	140°

**IMPORTANT:** Use alternate mounting if door can open beyond limits shown for standard mounting.

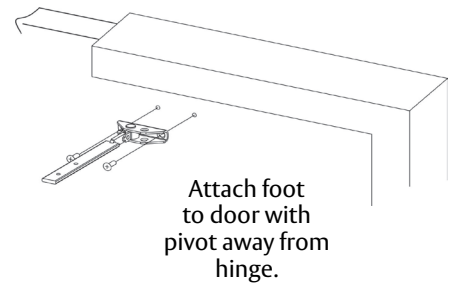
**NOTES:**

1. Left hand door shown. Right hand door opposite.
2. Ⓞ These dimensions may be reduced to 3/8" min. if rail on top casing is narrow or low ceiling condition exists. Foot placement should be moved accordingly.\*
3. Ⓞ This dimension is taken from hinge edge of door for invisible hinges.
4. Drill and tap and use screws provided or use mortise nuts when required.

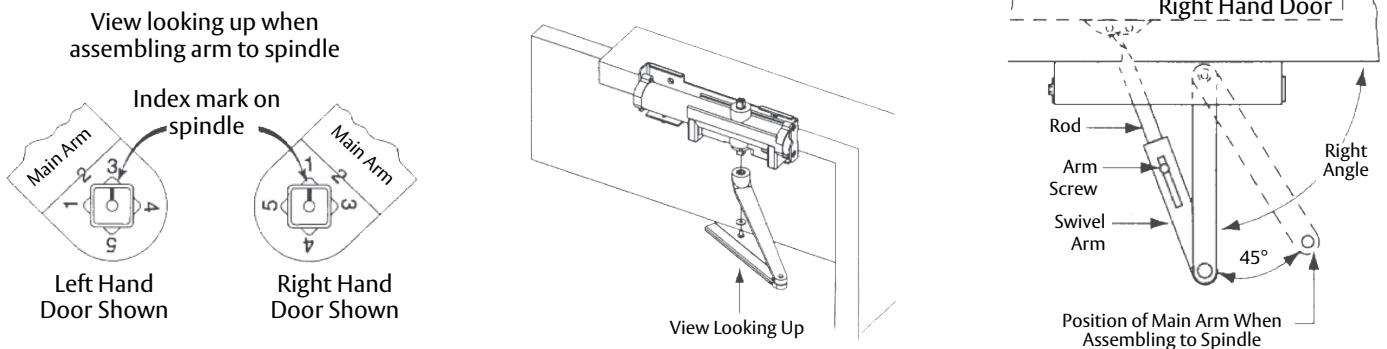
#### 2. Mount bracket and closer to door.



#### 3. Attach foot and pivot.



#### 4. Install main arm and spindle.



You've installed the 281 Powerglide Series Closer - Top Jamb Mount.

● Go to page 6 for closer adjustments and cover installation.

### Installation Instructions

### 281 Parallel Arm Application Instructions

#### 1. Prepare door and frame.

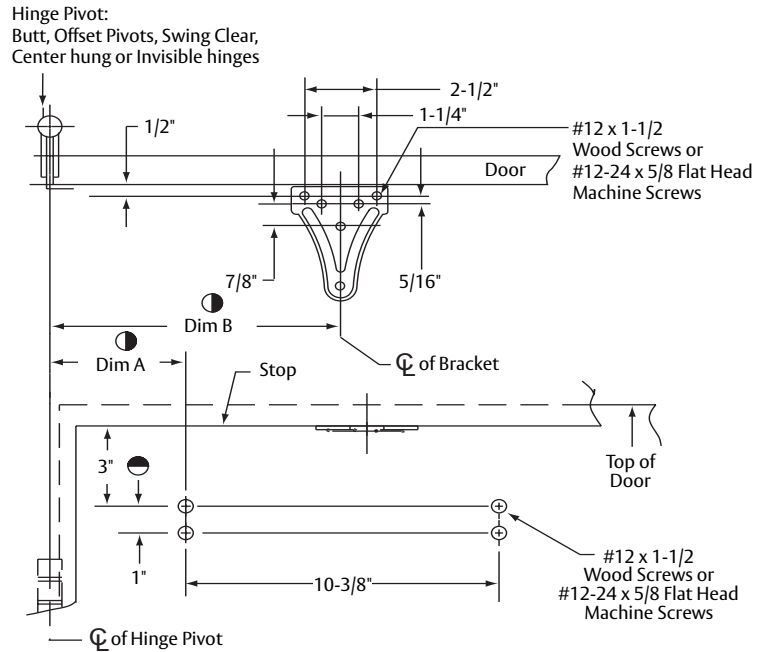
Max Door Opening	Dim A	Dim B
120°	4-1/2"	10-1/2"
*180° ●	1-5/8"	7-5/8"

#### NOTES:

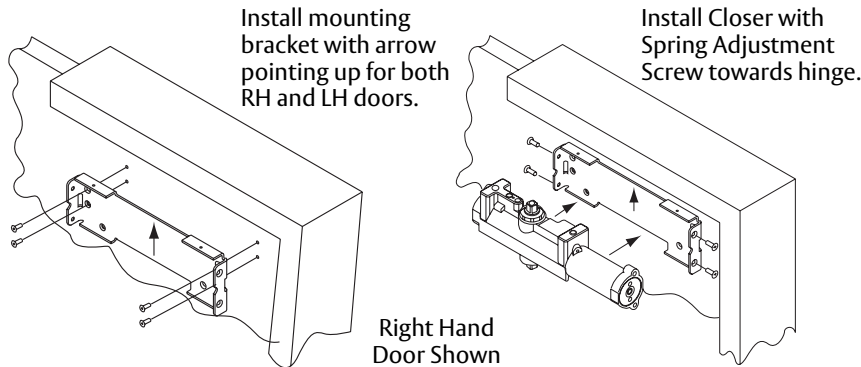
1. Left hand door shown. Right hand opposite.
2. ● Do not use this mounting for "swing clear" hinges.
3. ◐ This dimension is taken from hinge edge of door for invisible hinges.
4. ◑ May be reduced by 1/2" to avoid door trim.

Drill & tap and use screws provided or use mortise nuts when required.

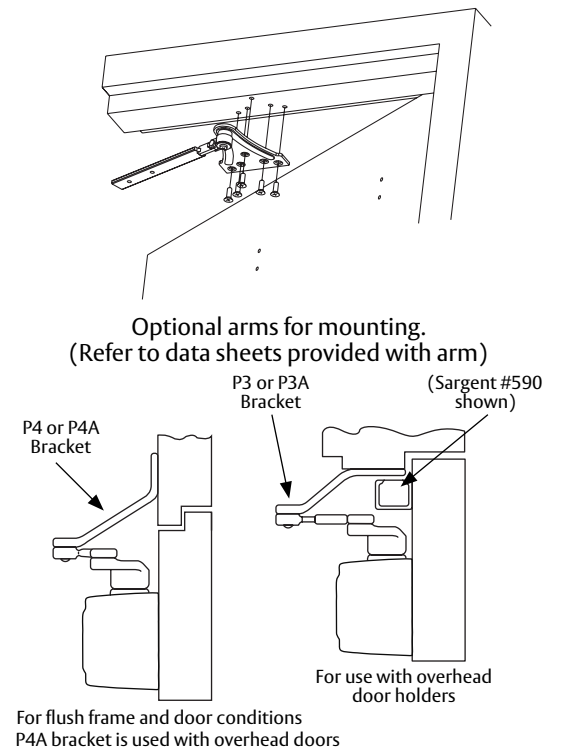
Remove backing from self adhesive tape and use bracket as drill-through template.



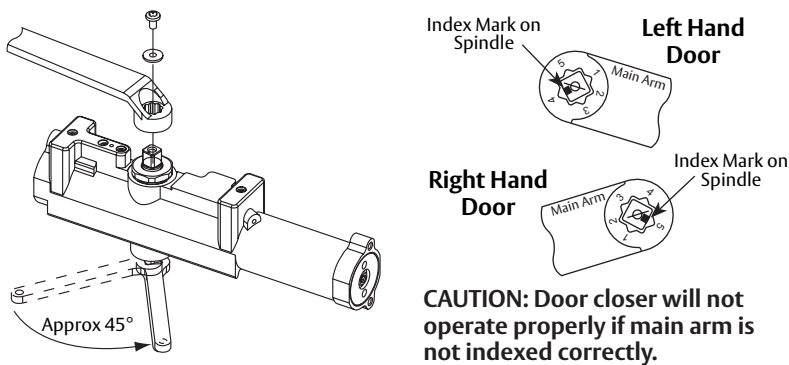
#### 2. Mount bracket and closer.



#### 3. Attach foot bracket to frame stop.



#### 4. Assemble the spindle.



You've installed the 281 Powerglide Series Closer - Parallel Arm Mount.

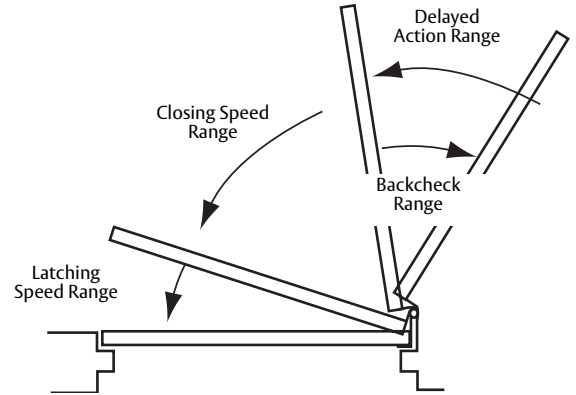
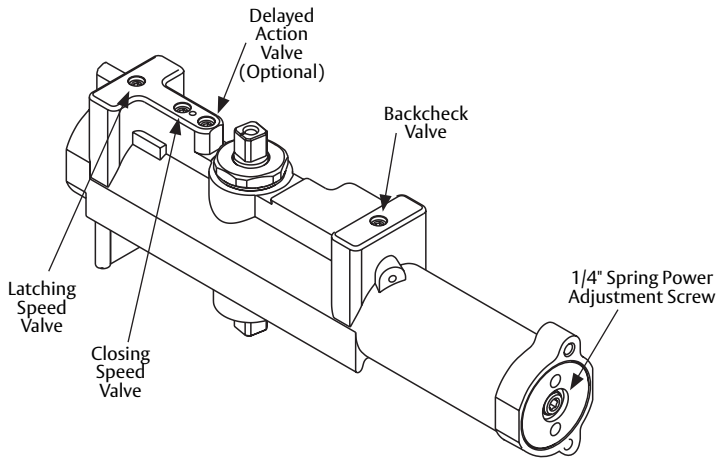
● Go to page 6 for closer adjustments and cover installation.

# 281 Series

## Closer with Regular Arms

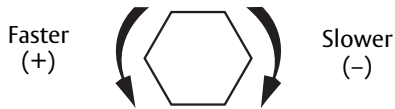
### Installation Instructions

### Final Adjustment and Regulating Procedure



#### Regulating Door Speed and Latching as Needed

Use hex socket (1/8" Allen) wrench and turn valves clockwise to slow down or counterclockwise to speed up door movement.



#### Regulating Backcheck

To regulate the intensity of backcheck action, turn valve clockwise to increase or counterclockwise to decrease checking.



**CAUTION:** Set valve for slight cushioning effect. It is damaging to the closer if the checking action is too abrupt. Never use backcheck as a door stop. **ALWAYS USE DOOR STOP TO STOP THE DOOR**

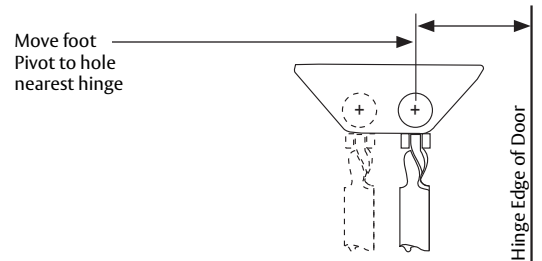
#### For Models with Optional Delayed Action Feature

"Delayed Action" provides slow door closing through delayed action range.

Turn valve clockwise to slow down or counterclockwise to speed up door movement.

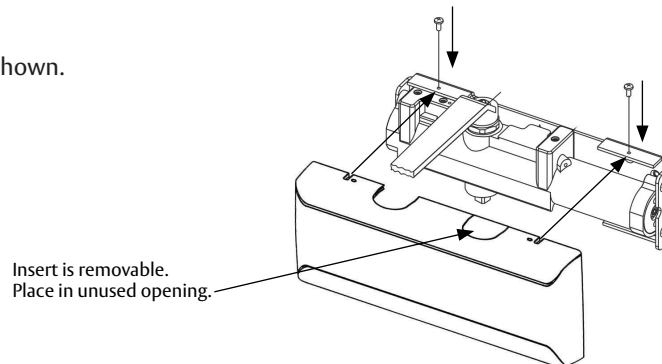


#### Adjusting Foot for Additional Closing Power (For Standard and Top Jamb Applications Only)



#### Install Cover

Install cover with two (2) screws as shown.



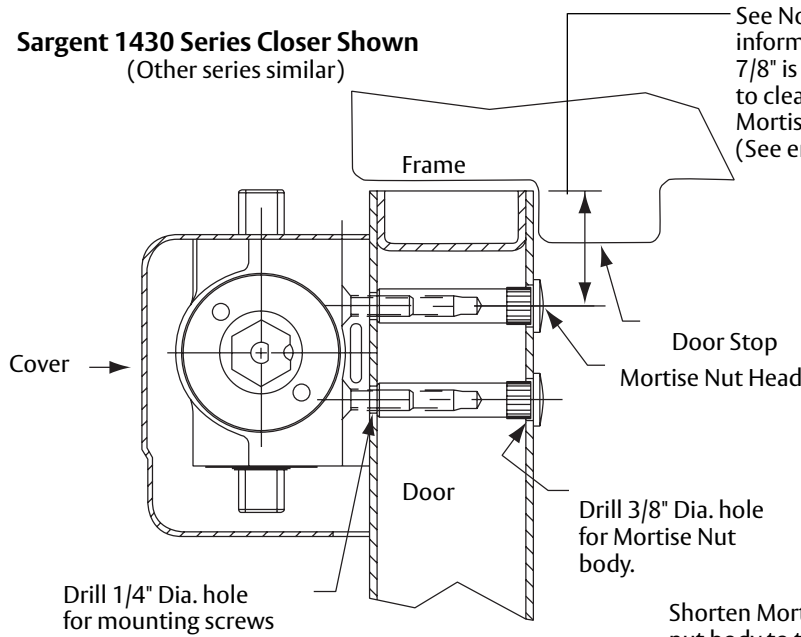
Installation Instructions

Using Mortise Nuts with Sargent Door Closers

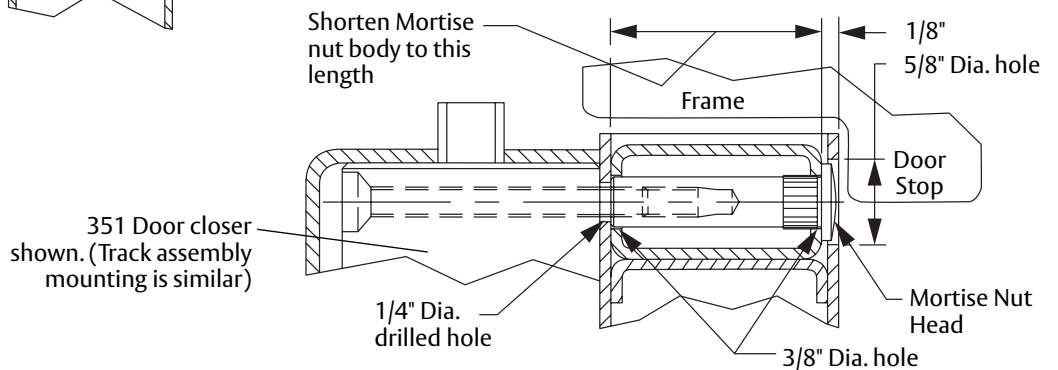
NOTES:

1. See instruction or data sheet packed with door closer for dimensions locating the closer body and foot on door and frame.
2. Mortise nut shown is designed for unreinforced metal doors.
3. **For top jamb and corner bracket applications:** The door closer foot will be attached to the door in a manner similar to that shown for mounting the closer body.
4. **For doors 2-1/4" thick:** Mortise nut shown for 1-3/4" thick doors will be furnished along with appropriate length thru-bolts. Door construction must provide a bridge type reinforcement to prevent the door rail from collapsing when thru-bolts are tightened.

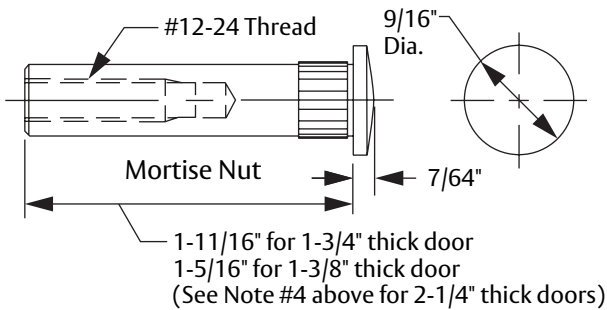
**Sargent 1430 Series Closer Shown**  
(Other series similar)



**351 Door Closer Shown**



**View "Y"**



 **WARNING**

This product can expose you to lead which is known to the state of California to cause cancer and birth defects or other reproductive harm. For more information go to [www.P65warnings.ca.gov](http://www.P65warnings.ca.gov).

 **WARNING**

Attention Installer: Improper installation may result in damage to the product and void the factory warranty.

1-800-727-5477 • [www.sargentlock.com](http://www.sargentlock.com)

Copyright © 2003, 2008, 2014, 2020, 2022, SARGENT Manufacturing Company. All rights reserved. Reproduction in whole or in part without the express written permission of SARGENT Manufacturing Company is prohibited. Patent pending and/or patent [www.assaabloydss.com/patents](http://www.assaabloydss.com/patents).

A7278F 12/22 Rev 6

Experience a safer  
and more open world

**Approved 2022-12-08**