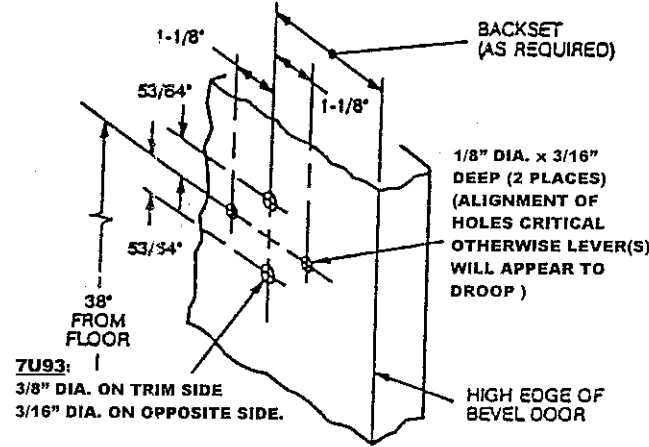
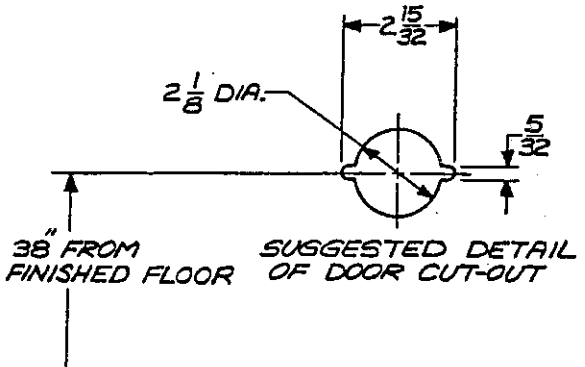
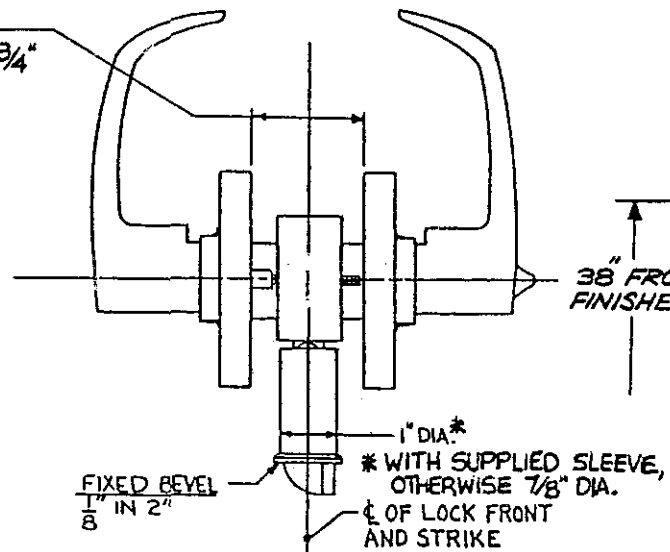


BACKSET	LOCKSET
2 $\frac{3}{8}$ "	20-PREFIX
2 $\frac{3}{4}$ "	STANDARD

ADJUSTABLE FOR DOORS 1 $\frac{3}{8}$ " TO 1 $\frac{3}{4}$ "



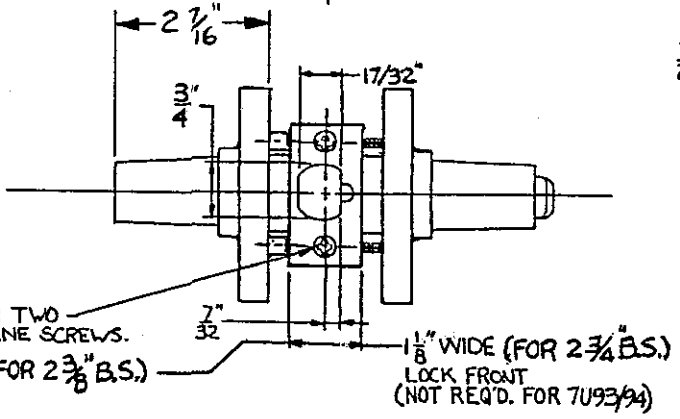
FIXED BEVEL
1/8" IN 2"

1" DIA.*
* WITH SUPPLIED SLEEVE,
OTHERWISE 7/8" DIA.
CL OF LOCK FRONT
AND STRIKE

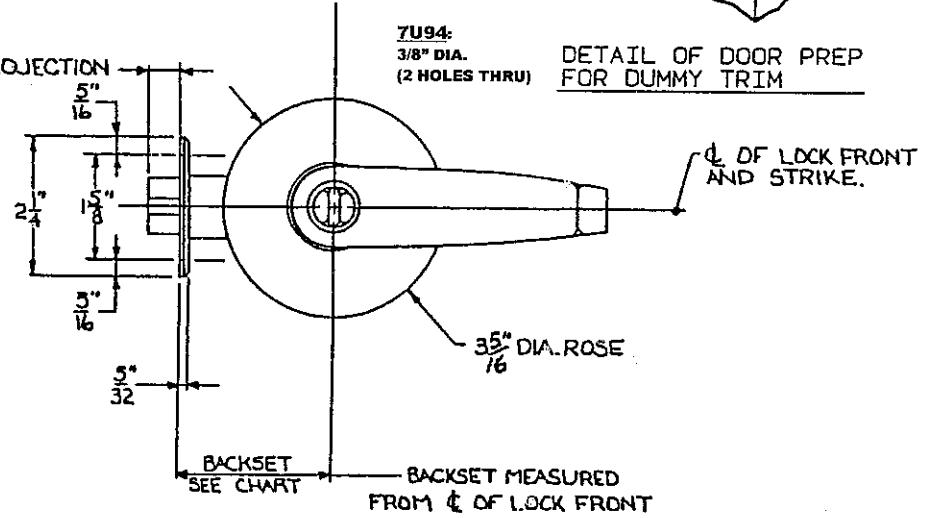
7U93: 1
3/8" DIA. ON TRIM SIDE
3/16" DIA. ON OPPOSITE SIDE.

1/8" DIA. x 3/16"
DEEP (2 PLACES)
(ALIGNMENT OF HOLES CRITICAL
OTHERWISE LEVER(S)
WILL APPEAR TO
DROOP)

HIGH EDGE OF
BEVEL DOOR



1/2" BOLT PROJECTION



7U94:
3/8" DIA.
(2 HOLES THRU)
DETAIL OF DOOR PREP
FOR DUMMY TRIM

FURNISHED WITH TWO
#8-32 x 3/4" MACHINE SCREWS.

(1" WIDE (FOR 2 $\frac{3}{8}$ " B.S.)

1 $\frac{1}{8}$ " WIDE (FOR 2 $\frac{3}{4}$ " B.S.)
LOCK FRONT
(NOT REQ'D. FOR 7U93/94)

- ⑤ — FOR REGULARLY FURNISHED STRIKE, SEE STRIKE TEMPLATE NO. 4131.
- ④ — DIMENSIONS SHOWN ARE MAXIMUM PART DIMENSIONS.
- ③ — ALL FUNCTIONS COMPLETELY REVERSIBLE FOR RIGHT OR LEFT HAND REGULAR OR REVERSE BEVEL DOORS.
- ② — SAME MORTISING FOR ALL FUNCTIONS EXCEPT 7U93/94 (SEE DOOR PREPARATION ABOVE).
- ① — ALL FUNCTIONS (EXCEPT 7U93/94) WILL FIT CURRENT A.N.S.I. STANDARD A115.2 DOOR PREPARATION FOR 2 $\frac{3}{4}$ " BACKSET. MODIFY DOOR PREPARATION FOR 2 $\frac{3}{8}$ " BACKSET LOCKSETS.

SARGENT & COMPANY		NEW HAVEN, CONN. 06509	
TEMPLATE:		RELEASE DATE:	
7 LINE BORED LEVER LOCK		2 JULY 98	
		TEMPLATE NO. 4481A	