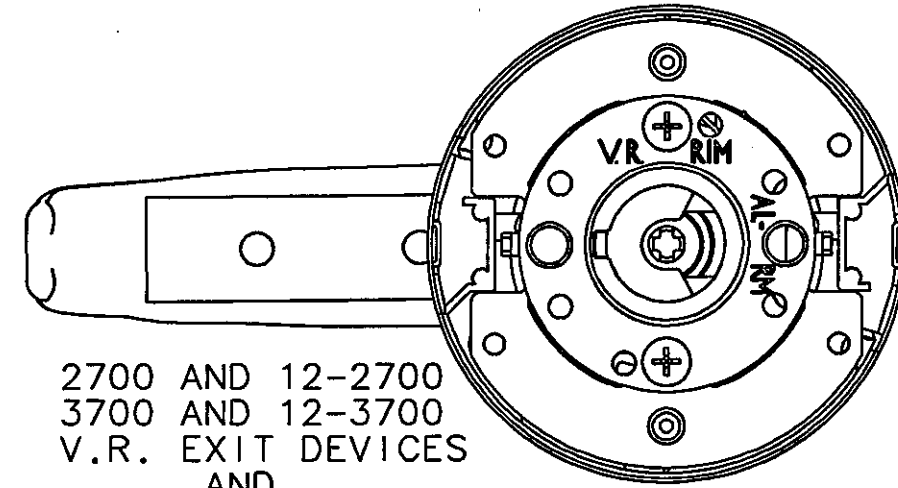
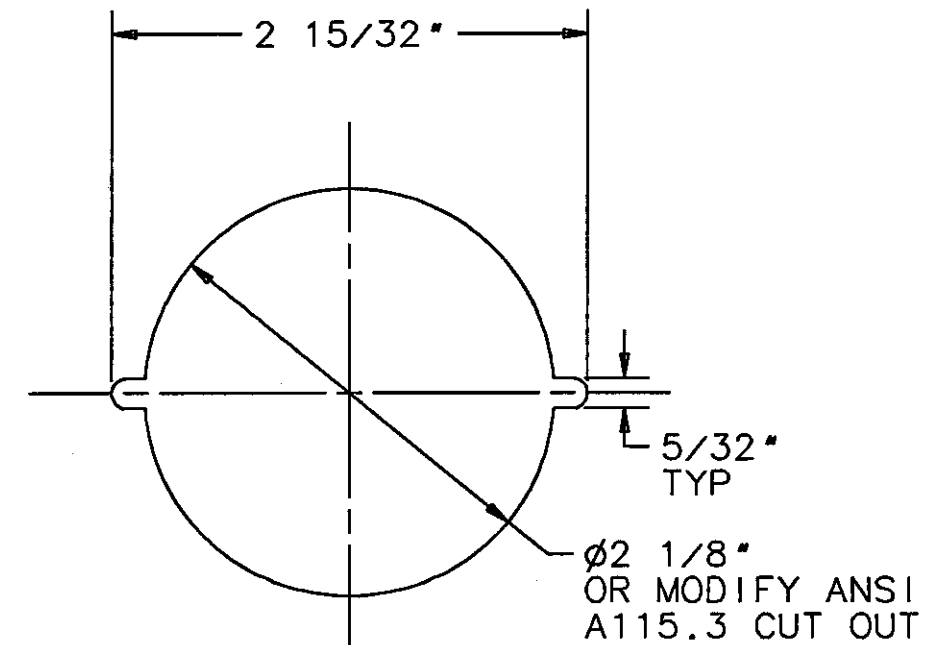
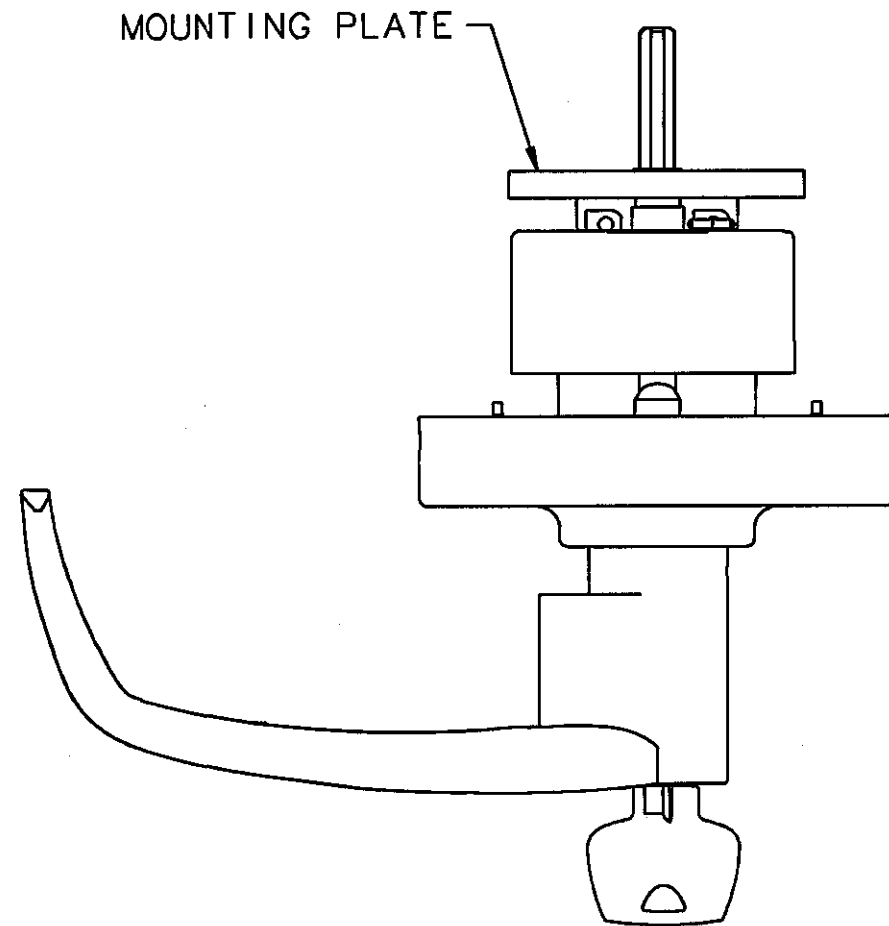


5100 EXIT LOCK
(12-)5800 EXIT ALARM



2700 AND 12-2700
3700 AND 12-3700
V.R. EXIT DEVICES
AND
2800 AND 12-2800
3800 AND 12-3800
RIM EXIT DEVICES



① FOR INSIDE DOOR PREPARATION SEE TEMPLATE 4291 FOR 2727, TEMPLATE 4301 FOR 12-2727, TEMPLATE 4303 FOR 2828, TEMPLATE 4304 FOR 12-2828, TEMPLATE 4521 FOR 3727, TEMPLATE 4522 FOR 12-3727, TEMPLATE 4523 FOR 3828, TEMPLATE 4524 FOR 12-3828, TEMPLATE 4377 FOR 12-5800 ALARM EXIT, TEMPLATE 4376 FOR 5800 ALARM EXIT, TEMPLATE 4374 FOR 5100 ALARM EXIT LOCK.

SARGENT & COMPANY

NEW HAVEN, CONN. 06511

TEMPLATE: FOR 2727, 12-2727, 2828
12-2828, 3727, 12-3727,
3828, 12-3828, 5100, 5800
& 12-5800 EXIT DEVICE
"LL" LEVER HANDLE TRIM

RELEASE DATE

4 APR 00

TEMPLT NO.

4485 D