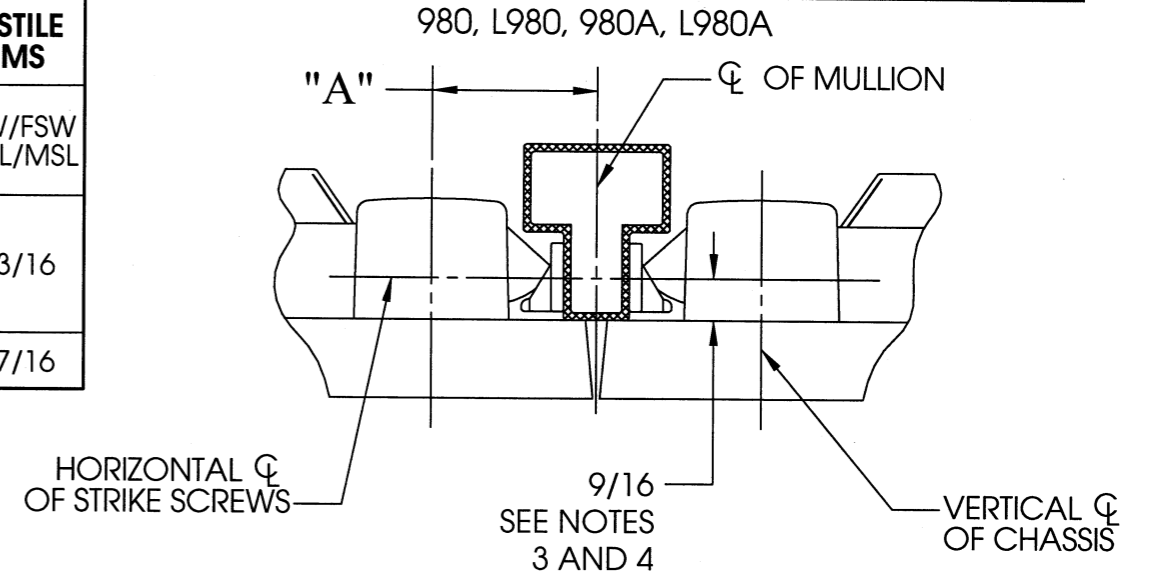


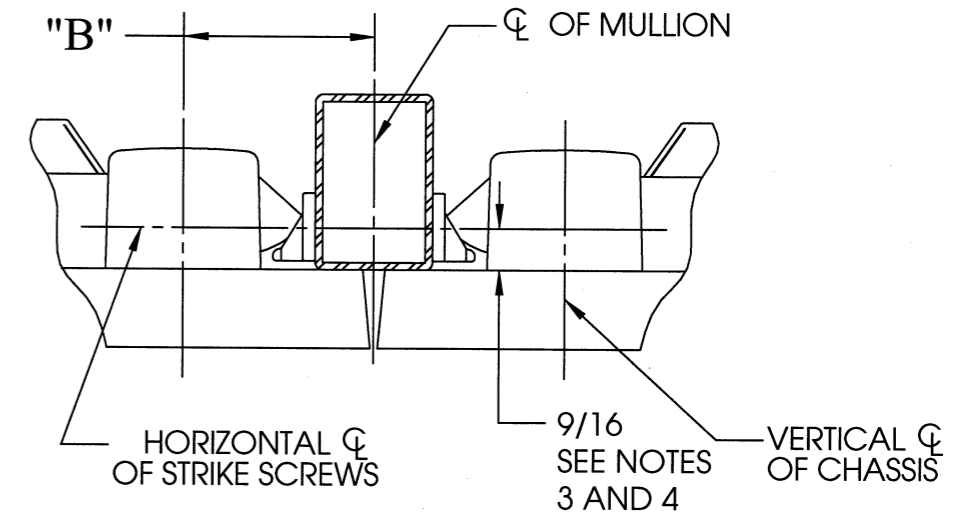
ALUMINUM MULLION					
REQUIRED BACKSET		MINIMUM DOOR STILE FOR VARIOUS TRIMS			
EXIT DEVICE	BACKSET "A"	ET/STS	PTB/PSB	FLW/FSW MAL/MSL	
2800, 3800 5100, 5800 8800, 9800 P800	2 7/8	4 1/8	4 5/8	4 3/16	
6500, 8500	2 1/8	3 3/8	3 7/8	3 7/16	

## ALUMINUM MULLION APPLICATIONS



## STEEL MULLION APPLICATIONS

12-980, 12-L980, EL-980, HC-980, HC-L980  
12-HC-980, 980S, L980S, 12-HD-980, 12-HC-L980



STEEL MULLION					
REQUIRED BACKSET		MINIMUM DOOR STILE FOR VARIOUS TRIMS			
EXIT DEVICE	BACKSET "B"	ET/STS	PTB/PSB	FLW/FSW MAL/MSL	
2800, 3800 5100, 5800 8800, 9800 P800	3 1/4	4 1/2	5	4 9/16	
6500, 8500	2 1/2	3 3/4	4 1/4	3 13/16	

1. TOLERANCES: FRACTIONAL  $\pm 1/64"$ , DECIMAL  $\pm .015$ .
2. SEE APPROPRIATE DOOR MANUFACTURERS TEMPLATE TO MOUNT EXIT DEVICE.
3. IF DOOR SILENCERS ARE USED ON THE FRAME, DECREASE THIS DIMENSION BY SILENCER HEIGHT.
4. IF "GLASS BEAD" SHIMS ARE USED, INCREASE THIS DIMENSION BY SHIM HEIGHT (1/8" PER SHIM USED).
5. AFTER STRIKE IS INSTALLED AND ADJUSTED, TWO CENTER HOLES ARE TO BE DRILLED AND TAPPED FOR # 10-24 ROUND HEAD MACHINE SCREWS.

<b>SARGENT</b> Manufacturing Company 100 Sargent Drive New Haven, CT 06511	
DOOR MANUFACTURERS TEMPLATE: 649 STRIKE DOUBLE DOOR/MULLION APPLICATIONS	RELEASE DATE <b>JUN 14 07</b> TEMPLATE NO. 4300 E