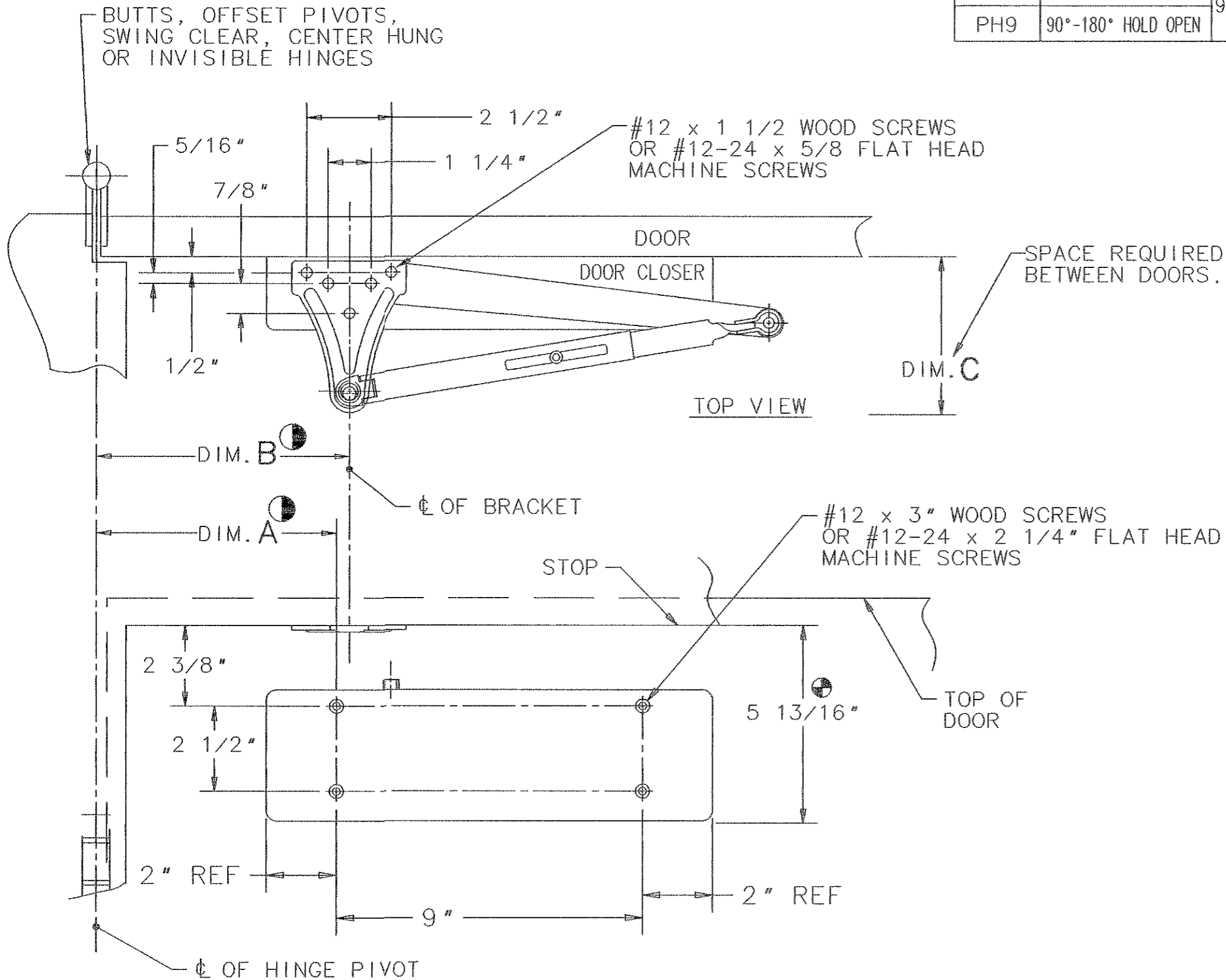


P9 TYPES ARM ASSEMBLY SHOWN.  
PH9 TYPE ARM SIMILAR

IMPORTANT: USE ALTERNATE MOUNTING IF DOOR CAN OPEN BEYOND LIMITS SHOWN FOR STANDARD MOUNTING

ARM TYPE	DESCRIPTION	STANDARD MOUNTING			ALTERNATE MOUNTING ●			DIM. C
		DIM. A	DIM. B	MAX. DOOR OPENING	DIM. A	DIM. B	MAX. DOOR OPENING	
P9	WITHOUT HOLDER	9 7/8"	10 1/4"	120°	7"	7 3/8"	180°	4 5/8"
PH9	90°-180° HOLD OPEN			110°				5 3/8"



- ④ SPACE REQUIRED TO MOUNT CLOSER ON RAIL. IF SPACE IS LESS THAN SHOWN USE 351-D DROP BRACKET. (SEE DATA SHEET A6745)
- ③ THIS DIMENSION IS TAKEN FROM HINGE EDGE OF DOOR FOR INVISIBLE HINGES.
- ② LEFT HAND DOOR SHOWN. RIGHT HAND OPPOSITE.
- ① 12 GAUGE MIN. REINFORCEMENT REQUIRED FOR METAL DOORS & FRAMES.