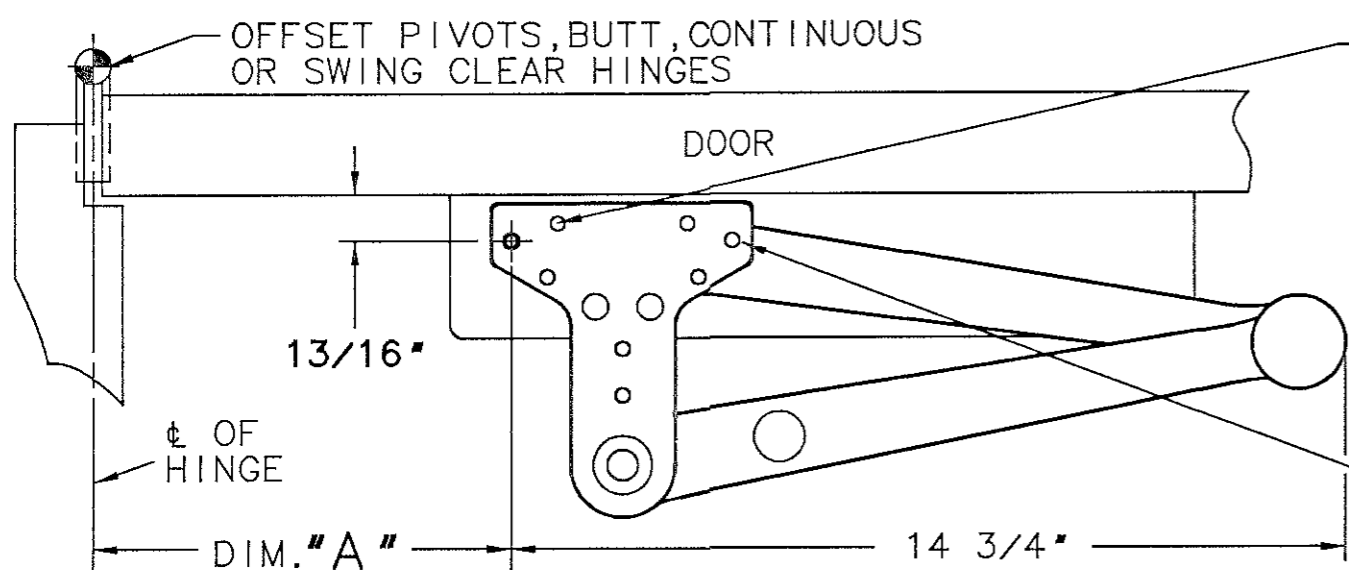


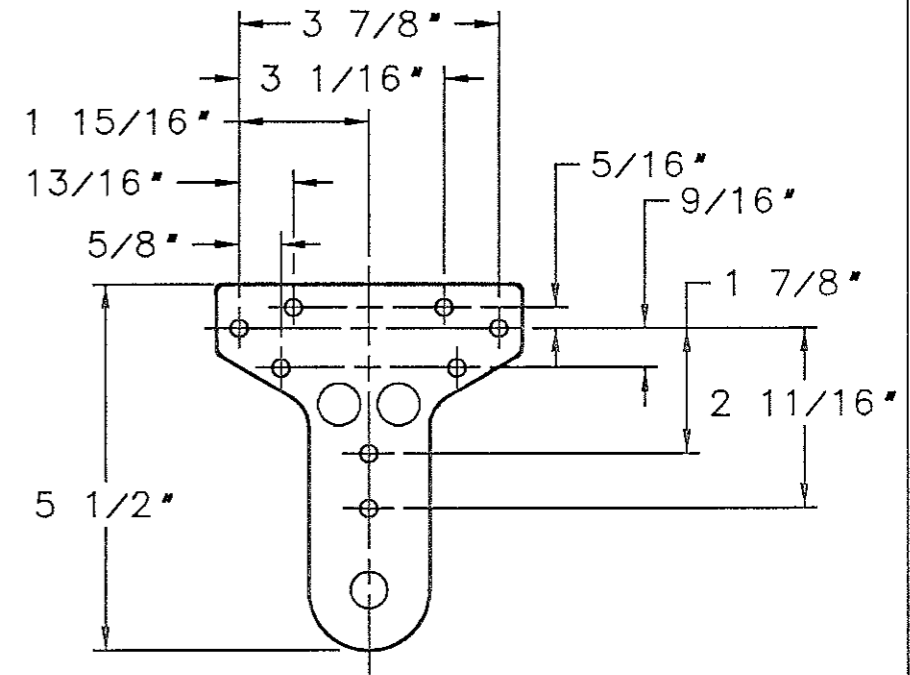
DEGREE OF DOOR OPENING AT HOLD OPEN

	85°	90°	95°	100°	105°	110°
DIM. "A"	9 1/2"	8 3/4"	8 1/8"	7 9/16"	7 1/16"	6 5/8"
DIM. "B"	10 3/16"	9 7/16"	8 13/16"	8 1/4"	7 3/4"	7 5/16"

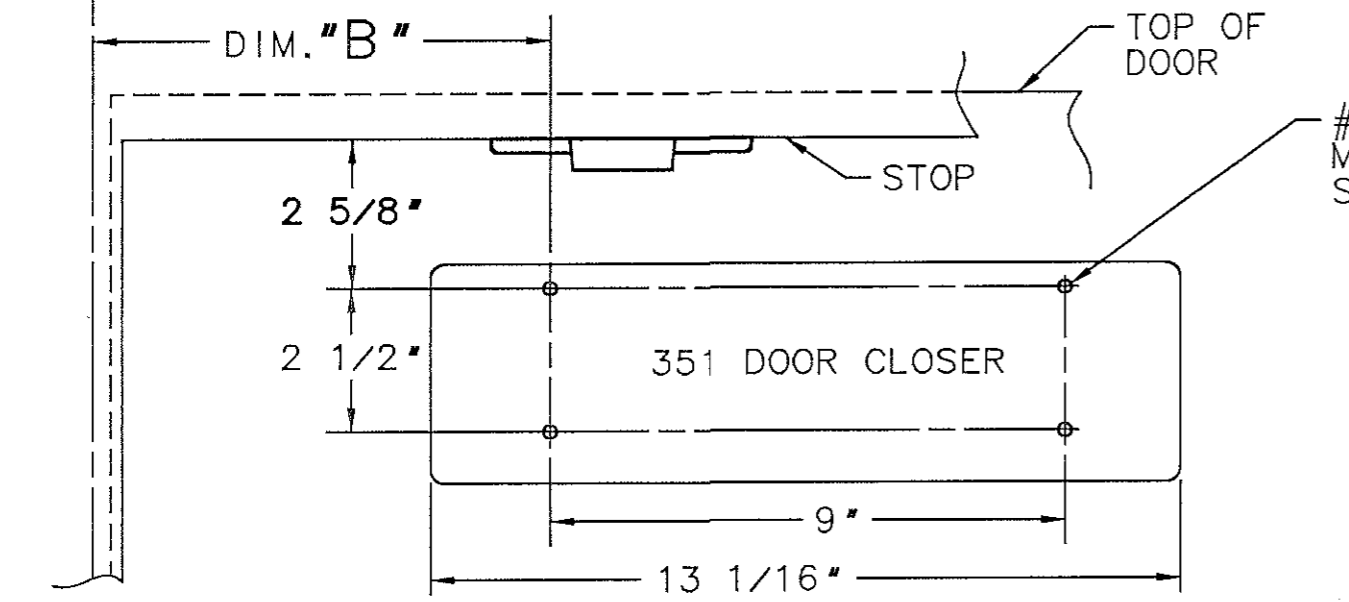


ATTACHED BUMPER USING TWO #12-24 X 1 3/4" & ONE #12-24 X 1" MACHINE SCREWS (OR TWO #12 X 2 1/2" & ONE #12 X 1 3/4" SCREWS PROVIDED)

#12-24 X 5/8" FLAT HEAD MACHINE SCREWS OR #12 X 1 3/4" SCREWS PROVIDED



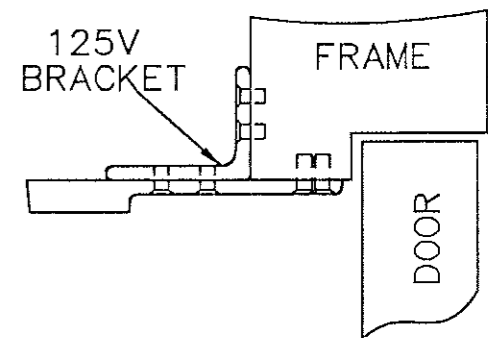
CPH/CP SH FOOT BRACKET DETAIL



#12-24 X 2 1/4" FLAT HEAD MACHINE SCREWS OR #12 X 3 1/4" SCREWS PROVIDED

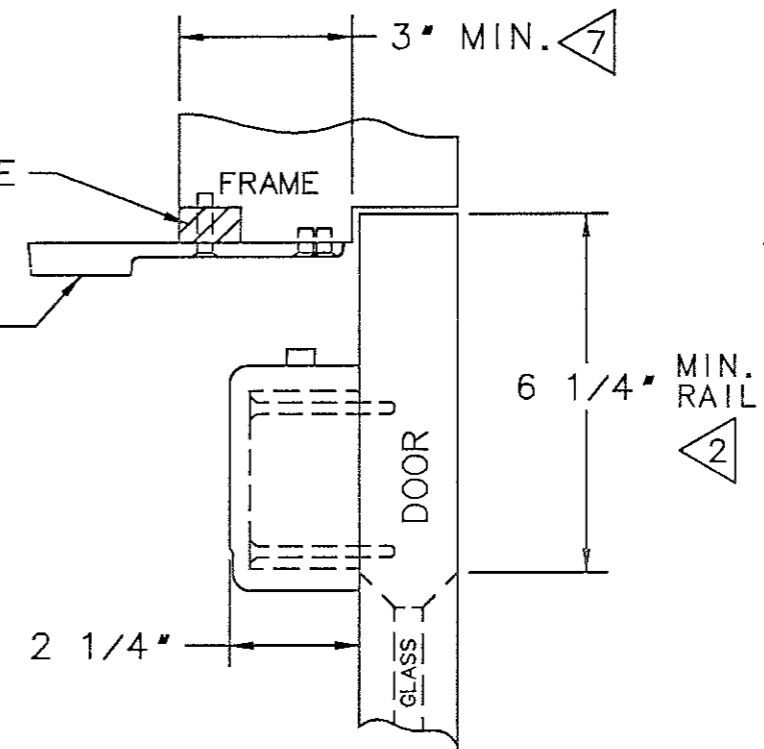
SPACER MAY BE REQUIRED FOR NARROW STOPS

CPS/CP SH FOOT BRACKET



NARROW FRAME INSTALLATION

USE 125VF BRACKET (NOT SHOWN) FOR FLUSH FRAME CONDITIONS.



NOTES:

1. REINFORCE METAL DOORS AND FRAMES PER ANSI A250.8 AND SDI-100 STANDARDS, 12 GAUGE RECOMMENDED.
2. FOR THIN RAIL DOORS, USE 351-D PLATE, SEE DATA SHEET A6745.
3. LEFT HAND DOOR SHOWN, RIGHT HAND OPPOSITE.
4. DIMENSIONS "A" & "B" ARE BASED ON A 4 1/2" BUTT HINGE, IF A 3 1/2" OR 6" BUTT HINGE WERE USED, THE HOLD OPEN ANGLE WILL CHANGE BY LESS THAN 1/2°.
5. DEAD STOP OCCURS APPROX 3° BEYOND HOLD OPEN.
6. IF DOOR CLOSER BODY INTERFERES WITH LIGHT KIT, USE 351-B PLATE. SEE DATA SHEET A6746 FOR PLATE DIMENSIONS ONLY.
7. WHEN SOFFIT IS LESS THAN 3" USE A 125V BRACKET.

SARGENT® Manufacturing Company
100 Sargent Drive New Haven, CT 06511

DATA SHEET: 351 SERIES DOOR CLOSER WITH CPS OR CP SH HEAVY DUTY PARALLEL ARM

EFFECTIVE DATE
AUG, 02
TEMPLATE NO.
A7379 B