

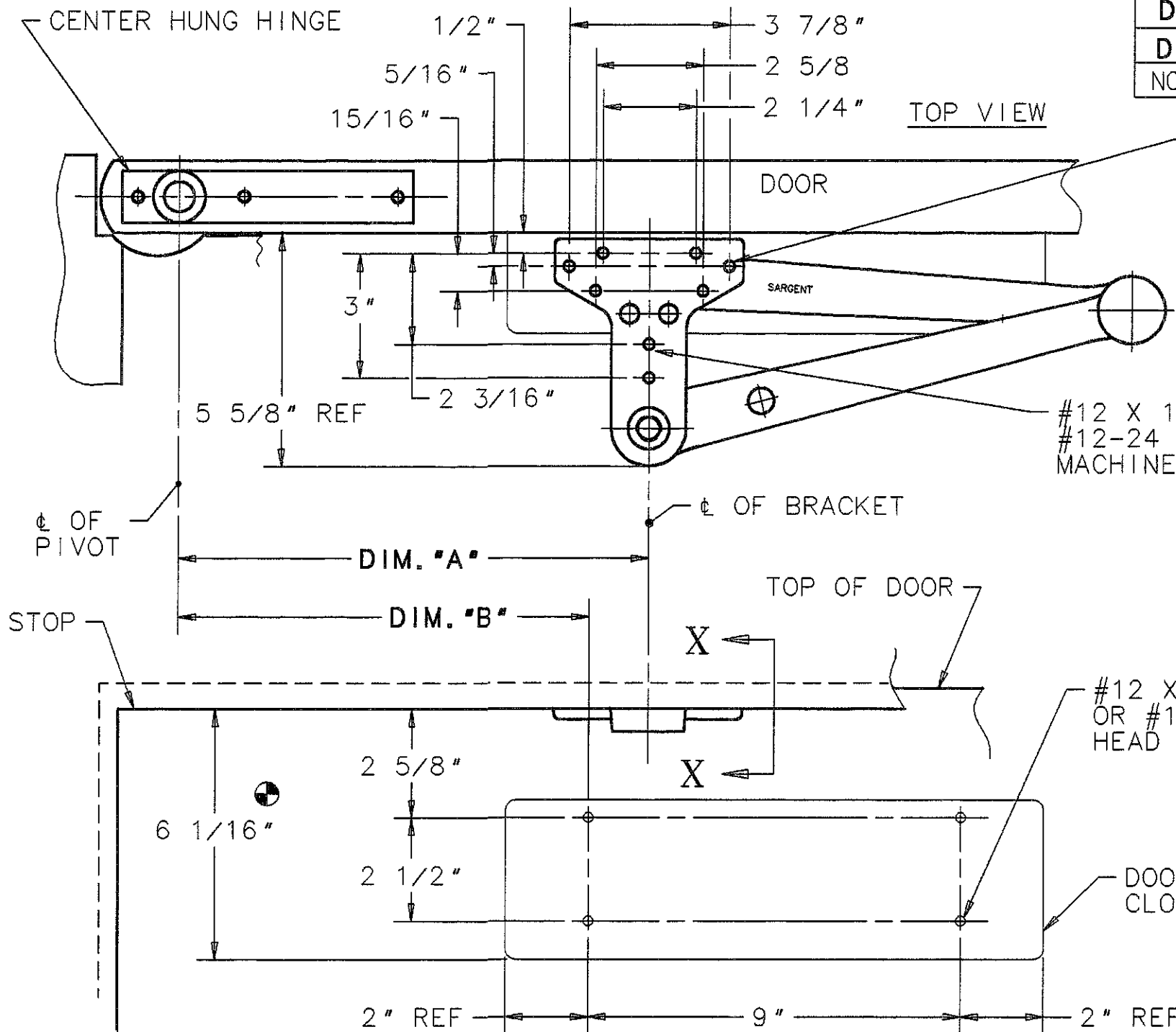
CPSH TYPE ARM ASSEMBLY SHOWN.
CPS TYPE ARM SIMILAR.

NOTE: SEE DATA SHEET A7379 FOR BUTTS, OFFSET PIVOTS OR SWING CLEAR HINGES.

DEGREE OR DOOR OPENING AT "HOLD OPEN"

	85°	90°	95°	100°	105°	110°
DIM. "A"	11 1/16"	10 3/8"	9 11/16"	9 1/16"	8 1/2"	8"
DIM. "B"	9 5/8"	8 15/16"	8 1/4"	7 5/8"	7 1/16"	6 9/16"

NOTE: "DEAD STOP" OCCURS APPROXIMATELY 3° BEYOND "HOLD OPEN"



CUSION STOP IS ATTACHED TO BRACKET AND FRAME BY TWO #12-24 X 1 3/4" AND ONE #12-24 X 1" FLAT HEAD MACHINE SCREWS OR TWO #12 X 2 1/4" AND ONE #12 X 1 1/2" WOOD SCREWS

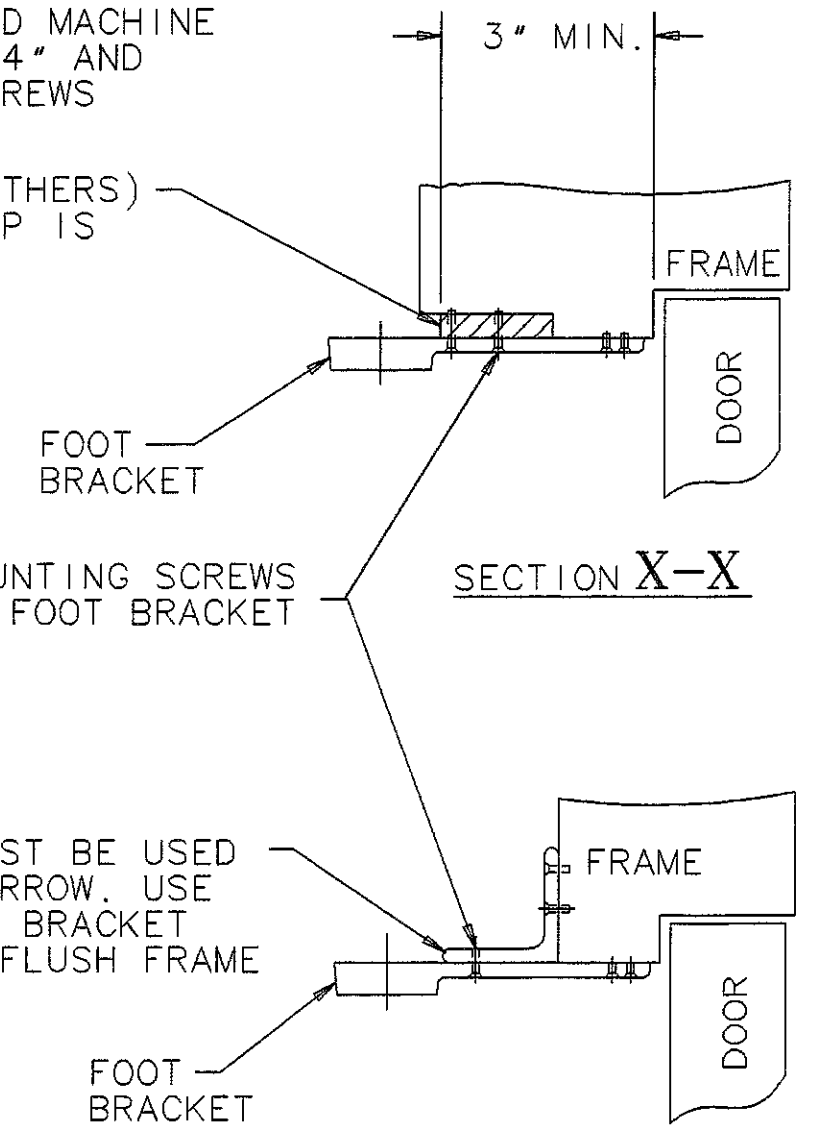
SUITABLE SPACER (BY OTHERS) MUST BE USED WHEN STOP IS LESS THAN 3" IN WIDTH

#12 X 1 1/2" WOOD SCREWS OR #12-24 X 5/8" FLAT HEAD MACHINE SCREWS

A MINIMUM OF SEVEN MOUNTING SCREWS MUST BE USED TO MOUNT FOOT BRACKET

#12 X 3" WOOD SCREWS OR #12-24 X 2 1/4" FLAT HEAD MACHINE SCREWS

125-V BRACKET MUST BE USED WHEN FRAME IS NARROW. USE SARGENT'S 125-VF BRACKET (NOT SHOWN) FOR FLUSH FRAME CONDITIONS



- NOTES:
1. LEFT HAND DOOR SHOWN. RIGHT HAND OPPOSITE.
 2. 12 GAGE MIN. REINFORCEMENT REQUIRED FOR METAL DOORS AND FRAMES.
 3. ● SPACE REQUIRED TO MOUNT CLOSER ON TOP RAIL. IF SPACE IS LESS THAN SHOWN USE 351-D DROP PLATE. SEE DATA SHEET A6745 FOR DETAILS.

SARGENT MANUFACTURING COMPANY		NEW HAVEN, CONN. 06511	
DATA SHEET: 351 SERIES DOOR CLOSERS. PARALLEL HEAVY DUTY ARM APPLICATIONS - CPS & CPSH ARMS (CENTER HUNG PIVOTS)		EFFECTIVE DATE	JANUARY, 00
		TEMPLAT NO.	A7388 A