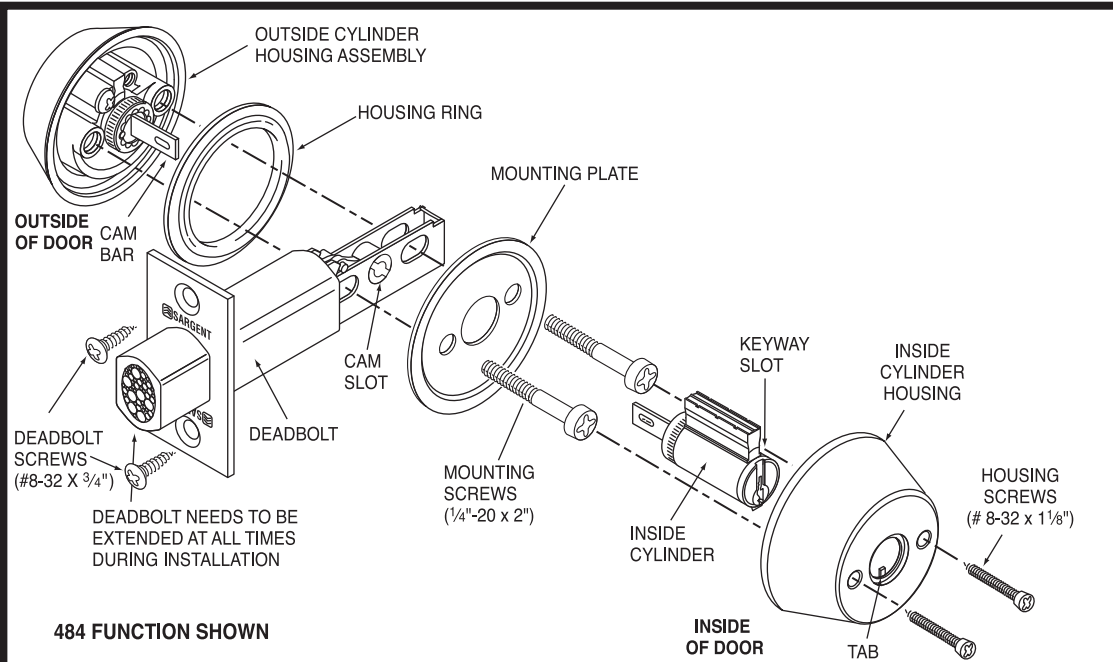


INSTRUCTIONS FOR INSTALLING #480 (2³/₄" BACKSET) AND #20-480 (2³/₈" BACKSET) CYLINDER DEADLOCKS

DOUBLE CYLINDER APPLICATION

SARGENT

ASSA ABLOY

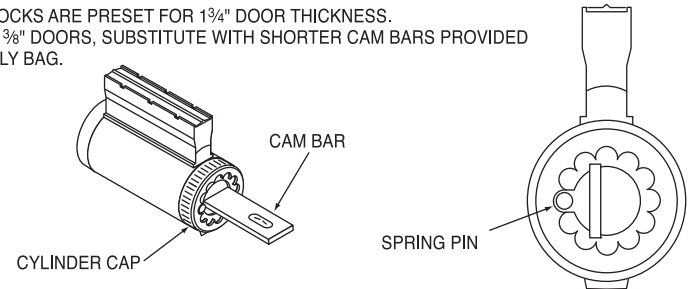


1 2 3 4

PREPARE DOOR EXACTLY AS IN STEPS 1, 2, 3 AND 4 IN SINGLE CYLINDER

HOW TO CHANGE CAM BAR

ALL LOCKS ARE PRESET FOR 1³/₄" DOOR THICKNESS. FOR 1³/₈" DOORS, SUBSTITUTE WITH SHORTER CAM BARS PROVIDED IN POLY BAG.



DEPRESS SPRING PIN AND UNSCREW CYLINDER CAP. REMOVE AND REPLACE CAM BAR. SCREW CYLINDER CAP ON TO PLUG WHILE HOLDING SPRING PIN DEPRESSED UNTIL THE CAP IS TIGHT, THEN BACK OFF ONE OR TWO NOTCHES AS REQUIRED. CHECK CYLINDER FOR PROPER CLEARANCE. IF CAP IS TOO LOOSE, THE KEY CANNOT BE WITHDRAWN AND IF TOO TIGHT CYLINDER WILL BIND. MAKE SURE THAT SPRING PIN IS ENGAGED WITH CYLINDER CAP.

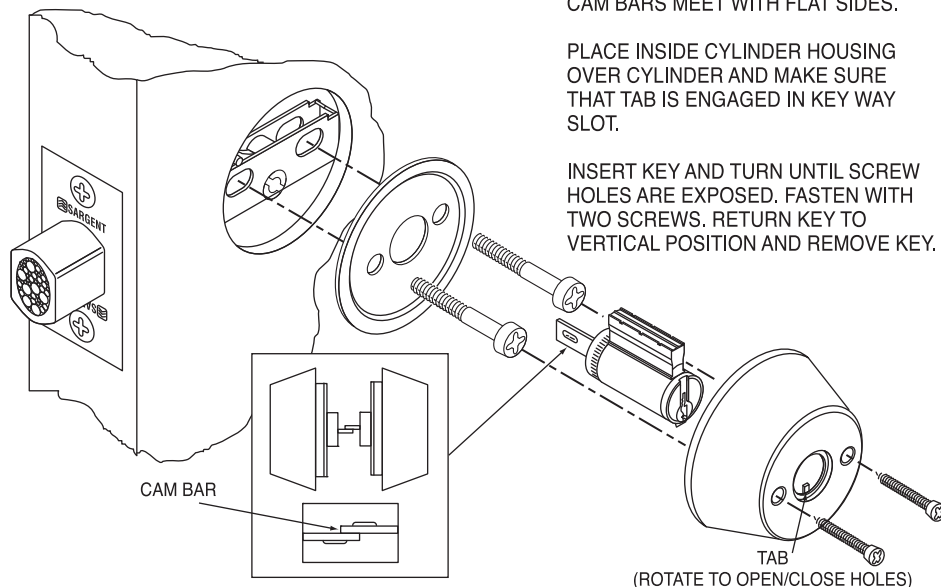
5 INSTALL INSIDE TRIM

POSITION MOUNTING PLATE IN THE HOLE. INSERT AND TIGHTEN WITH 1/4"-20 SCREWS.

INSERT INSIDE CYLINDER CAM BAR THROUGH MOUNTING PLATE INTO CAM SLOT MAKING CERTAIN THAT CAM BARS MEET WITH FLAT SIDES.

PLACE INSIDE CYLINDER HOUSING OVER CYLINDER AND MAKE SURE THAT TAB IS ENGAGED IN KEY WAY SLOT.

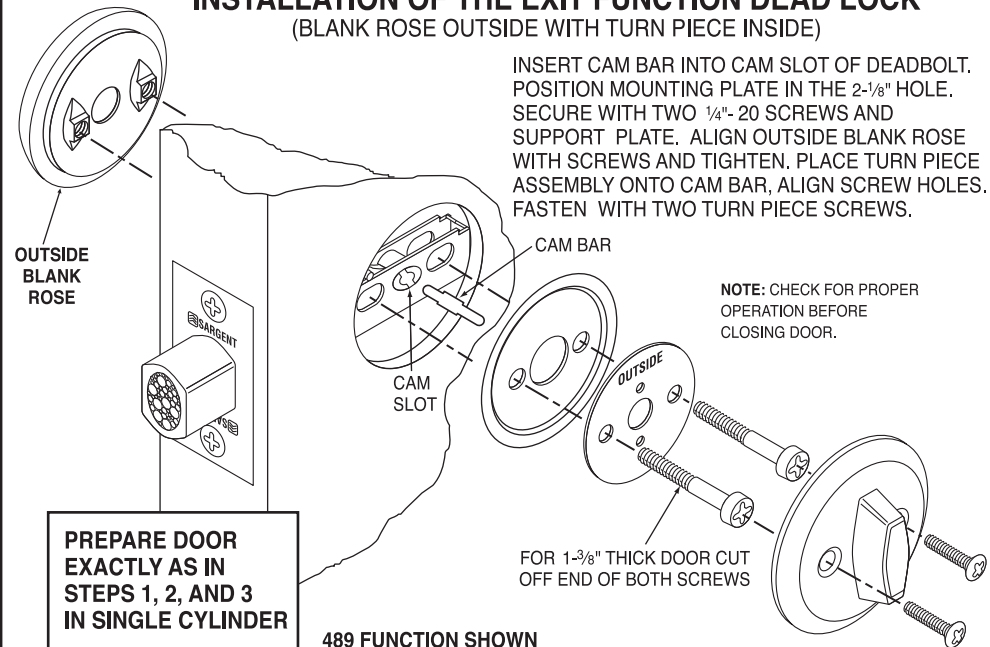
INSERT KEY AND TURN UNTIL SCREW HOLES ARE EXPOSED. FASTEN WITH TWO SCREWS. RETURN KEY TO VERTICAL POSITION AND REMOVE KEY.



INSTALLATION OF THE EXIT FUNCTION DEAD LOCK (BLANK ROSE OUTSIDE WITH TURN PIECE INSIDE)

INSERT CAM BAR INTO CAM SLOT OF DEADBOLT. POSITION MOUNTING PLATE IN THE 2-1/8" HOLE. SECURE WITH TWO 1/4"-20 SCREWS AND SUPPORT PLATE. ALIGN OUTSIDE BLANK ROSE WITH SCREWS AND TIGHTEN. PLACE TURN PIECE ASSEMBLY ONTO CAM BAR, ALIGN SCREW HOLES. FASTEN WITH TWO TURN PIECE SCREWS.

NOTE: CHECK FOR PROPER OPERATION BEFORE CLOSING DOOR.



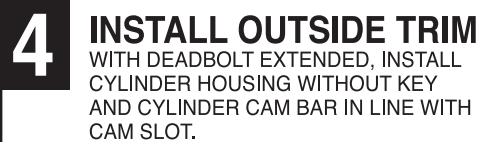
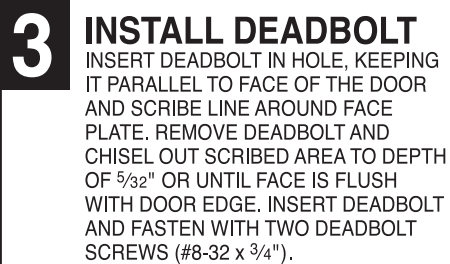
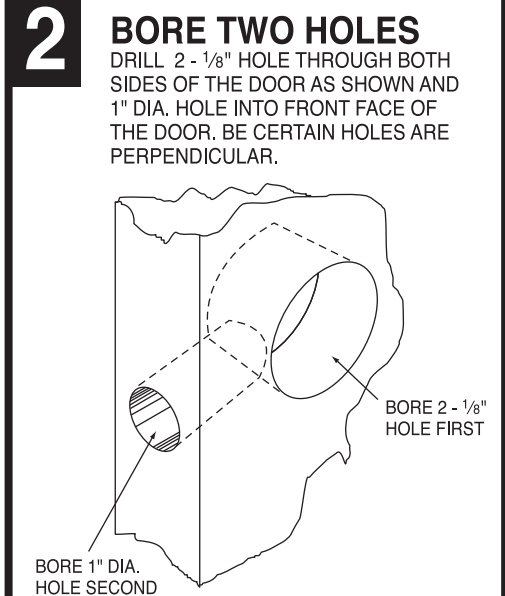
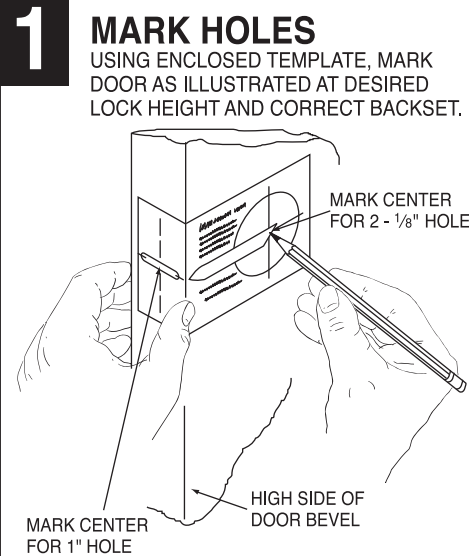
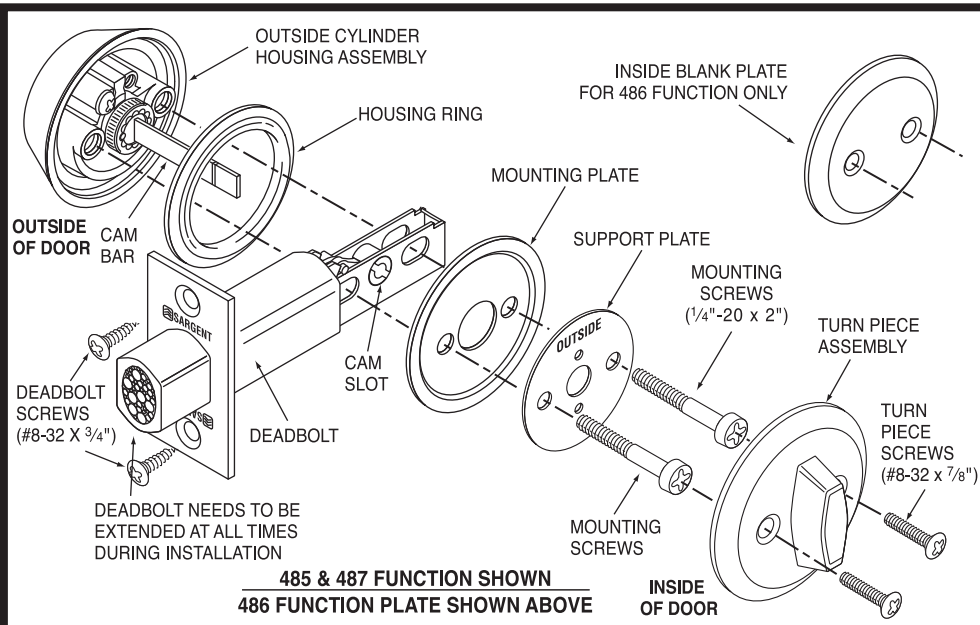
PREPARE DOOR EXACTLY AS IN STEPS 1, 2, AND 3 IN SINGLE CYLINDER

489 FUNCTION SHOWN

FOR 1-3/8" THICK DOOR CUT OFF END OF BOTH SCREWS

INSTRUCTIONS FOR INSTALLING #480 (2³/₄" BACKSET) AND #20-480 (2³/₈" BACKSET) CYLINDER DEADLOCKS

SINGLE CYLINDER APPLICATION



- 1) MEASURE DOOR THICKNESS.
- 2) IF THE CAM BAR NEEDS TO BE SHORTENED; GRIP THE CAM BAR WITH PLIERS ON BOTH SIDES OF THE SCORE MARK AND TWIST TO BREAK OFF.



PLACE TURN PIECE ASSEMBLY ONTO CAM BAR AND ALIGN SCREW HOLES. FASTEN WITH TWO TURN PIECE SCREWS.

NOTE: CHECK FOR PROPER OPERATION BEFORE CLOSING DOOR.

