

# INSTALLATION INSTRUCTIONS #4870, #4874, #4875, #4876, #4877, #4878 and #4879 DEADLOCKS

# SARGENT

# ASSA ABLOY

For assistance contact SARGENT at 800-727-5477 or [www.sargentlock.com](http://www.sargentlock.com)

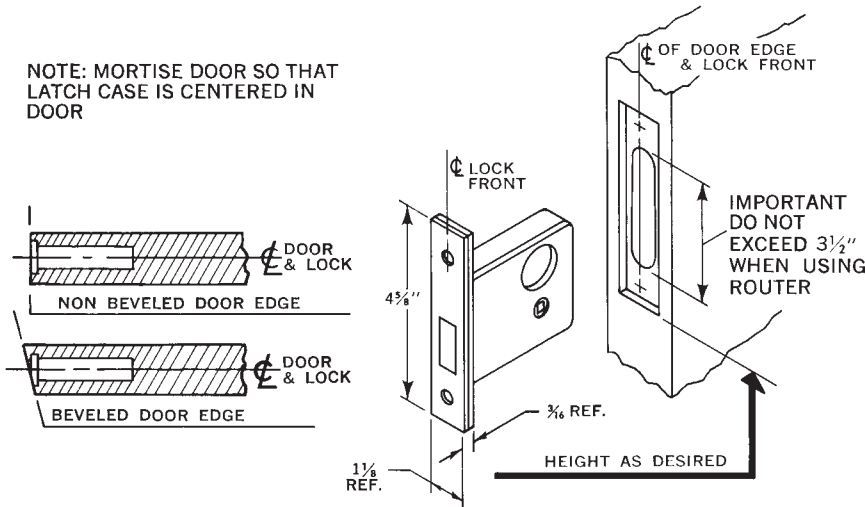
## A

EXAMINE LOCKSET TO MAKE SURE IT IS THE CORRECT BEVEL FOR DOOR. IF NOT, LOOSEN SCREWS (FASTENING FRONT TO CASE), ROTATE FRONT TO PROPER BEVEL & RE-TIGHTEN

## B

### MORTISE FOR LOCK CASE AND FRONT AT CENTERLINE OF DOOR EDGE

NOTE: MORTISE DOOR SO THAT LATCH CASE IS CENTERED IN DOOR

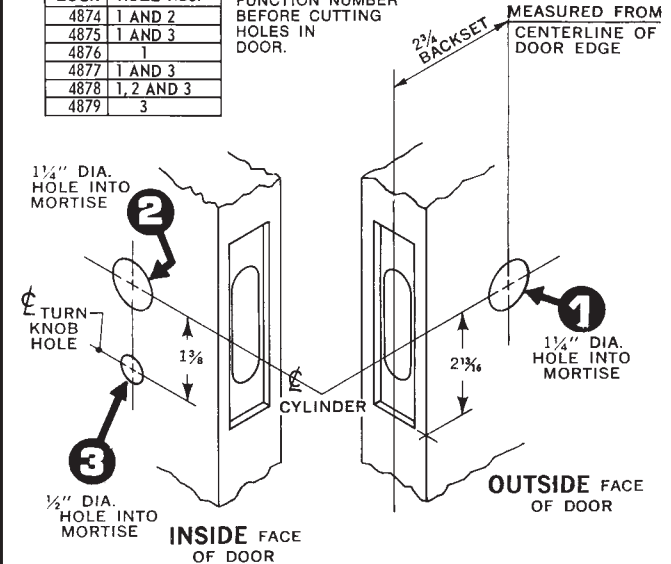


## C

### BORE REQUIRED HOLES FOR CYLINDER AND TURN KNOB AS INDICATED IN CHART

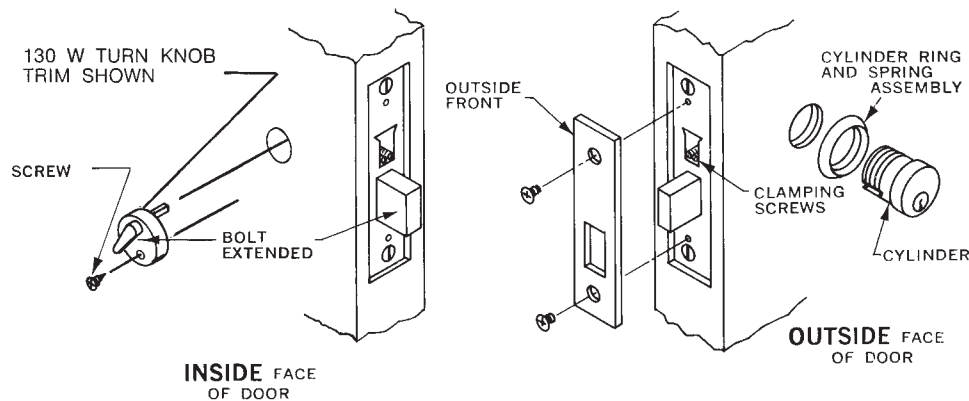
LOCK	HOLE NOS.
4874	1 AND 2
4875	1 AND 3
4876	1
4877	1 AND 3
4878	1, 2 AND 3
4879	3

CHECK BOX LABEL FOR FUNCTION NUMBER BEFORE CUTTING HOLES IN DOOR.



## D

1. REMOVE OUTSIDE FRONT AND MOUNT LOCK AS SHOWN.
2. PLACE CYLINDER THRU CYLINDER RING AND SCREW INTO LOCK UNTIL FACE OF CYLINDER IS FLUSH WITH TOP OF RING AND KEYHOLE IS FACING DOWN. TIGHTEN APPROPRIATE CLAMPING SCREW AND OPERATE CYLINDER WITH KEY. IF NECESSARY LOOSEN CLAMPING SCREW AND ADJUST CYLINDER IN OR OUT ONE TURN TO LOCATE BEST OPERATING POSITION.
3. REPLACE OUTSIDE FRONT.



## E

### MORTISE JAMB FOR STRIKE

