

8⁰ Series
Parts List

(12-) 8706
(12-) 8713

CHASSIS ASSY
LESS COVER

PARTS LIST

PAGE REV.
No. 87.1A C

8/2009

8700	06 AND 13 FUNCTIONS ±	LHRB RHRB	68-2201 68-2202
------	--------------------------	--------------	--------------------

ITEM No.	ASSY No.	PART No.	DESCRIPTION	QTY	
1	68-2201 LHRB	01-0749	GROOVE PIN	1	
2		97-0050	KNOB RETURN SPRING	1	
3		68-1090	LIFT LEVER	1	
4		68-2198	LOCKING SLIDE ASSY LHRB	1	
		68-2199	LOCKING SLIDE ASSY RHRB		
5		97-2048	CYLINDER HUB & PIN ASSY	1	
6		68-0327	MAIN SLIDE	1	
7		01-3384	SCREW #8-32 x 7/16	2	
8		01-0930	LOCK WASHER	2	
9		68-0367	KNOB HUB COVER	1	
10		68-2202 RHRB	97-0042	KNOB HUB	1
11			97-0043	KNOB HUB RETAINER	1
12			01-0005	RETAINING RING	1
13			68-0323	CHASSIS PIN	2
14			01-4512	SPIROL PIN LIFT ARM	1
15			68-0324	LIFT LEVER PIVOT PIN	1
16			68-0241	LIFT ARM	1
17			68-0368	LOCKING SLIDE SPRING LHRB	1
		97-0006	LOCKING SLIDE SPRING RHRB		
18		01-1190	SCREW SELF TAPPING #8-32 x 5/16	1	
19		97-0049	ROD ADJUSTMENT PIN	2	
20	68-0405	COVER, CHASSIS *	1		
21	97-0052	SCREW * #8-32 x 5/16	4		
		68-2143	STD SCREW PACK	1	
		68-3026	12- SCREW PACK WOOD DOOR 1 3/4"		
		68-3027	12- SCREW PACK WOOD DOOR 2 1/4"		
		68-3028	12- SCREW PACK METAL DOOR		

* SPECIFY FINISH

± FOR 8706 x ET OR 8713 x ET USE 8715 CHASSIS

NOTE: FOR 12-, HC OR 12-HC ORDER CHASSIS
AS AN ASSEMBLY TO MAINTAIN OPENING LABEL

© SARGENT Manufacturing Company. All Rights reserved.

SARGENT

ASSA ABLOY

8⁰ Series Parts List

(12-) 8706
(12-) 8713

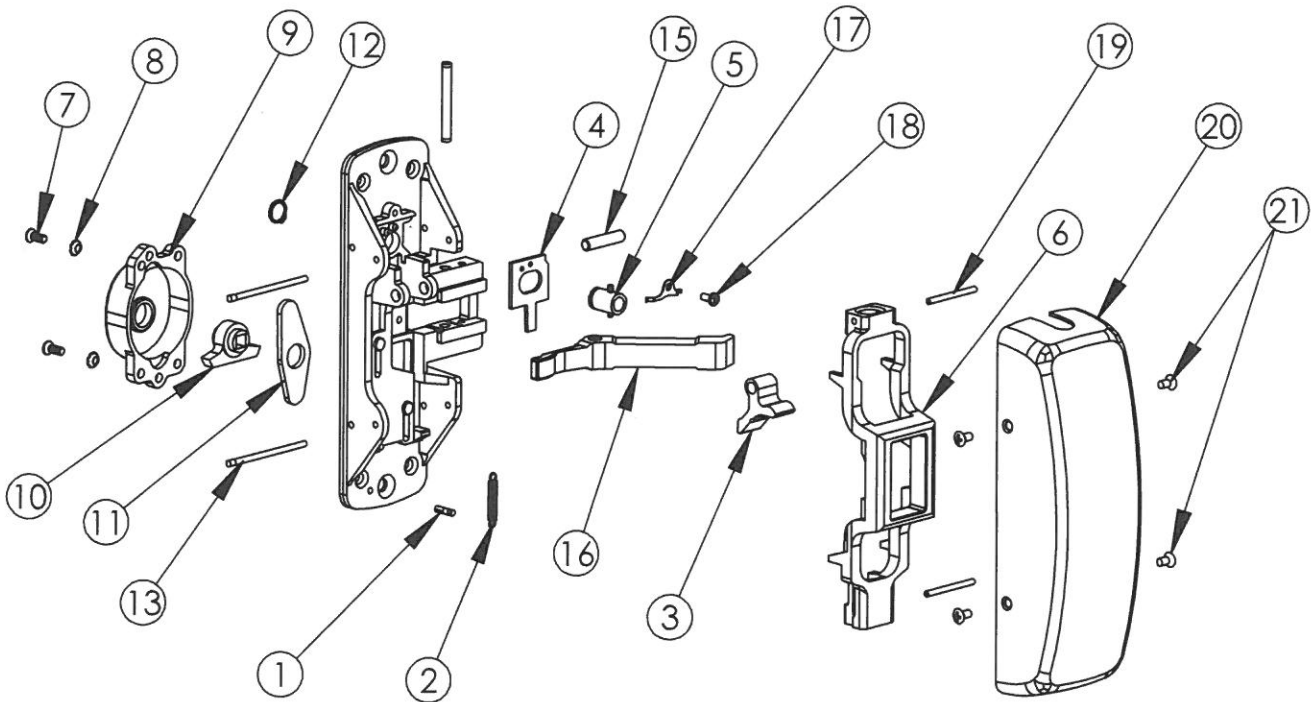
PARTS LIST

PAGE No. 87.1B
REV. C

8/2009

CHASSIS ASSY
LESS COVER

8700	06 & 13 FUNCTIONS±	LHRB RHRB	68-2201 68-2202
------	-----------------------	--------------	--------------------



THIS PAGE MUST FACE 87.1A

© SARGENT Manufacturing Company. All Rights reserved.

SARGENT
ASSA ABLOY

80 Series
Parts List

(12-)8710
(12-)8740

PARTS LIST

PAGE No. 87.2
REV. D

7/2009

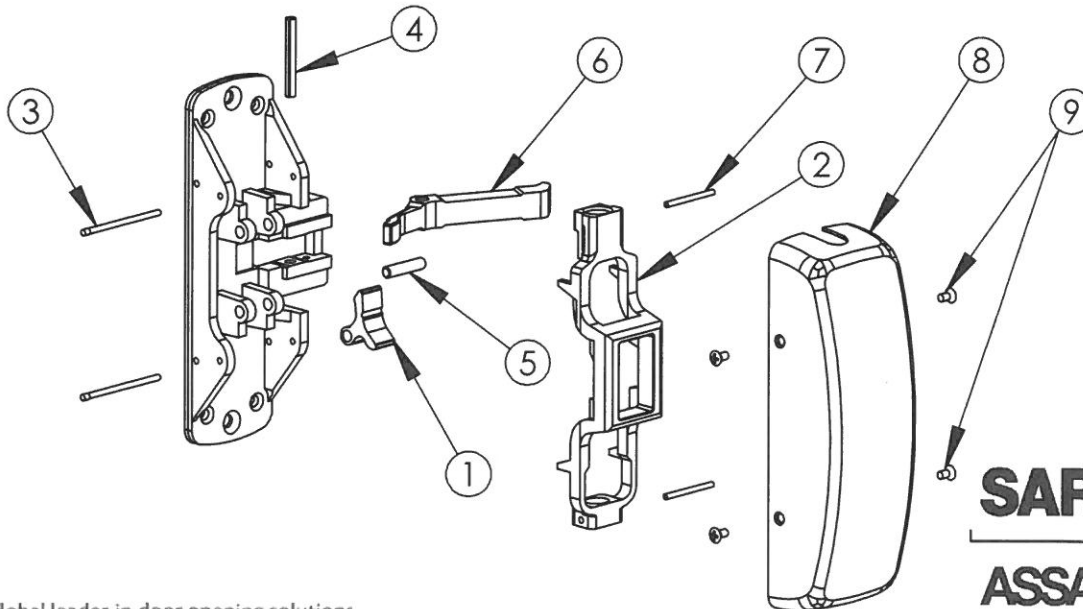
**CHASSIS ASSEMBLY
LESS COVER**

8700	10 & 40 FUNCTION	LHRB RHRB	68-2163 68-2164
------	---------------------	--------------	--------------------

ITEM No.	ASSEMBLY No.	PART No.	DESCRIPTION	QTY.
1	68-2163 LHRB	68-1090	LIFT LEVER	1
2		68-0327	MAIN SLIDE	1
3		68-0323	CHASSIS PIN	2
4	68-2164 RHRB	01-4512	PIVOT PIN (LIFT ARM)	1
5		68-0324	PIVOT PIN (LIFT LEVER)	1
6		68-0241	LIFT ARM	1
7		97-0049	BOTTOM ROD ADJUSTMENT PIN	2
8		68-0405	COVER, CHASSIS *	1
9		97-0052	SCREW * #8-32 x 5/16	4
		68-2143	STANDARD SCREW PACK	1
		68-3026	12- SCREW PACK (WOOD DOOR 1 3/4")	
		68-3027	12- SCREW PACK (WOOD DOOR 2 1/4)	
		68-3028	12- SCREW PACK (METAL DOOR)	

* SPECIFY FINISH

NOTE: FOR 12-, HC OR 12-HC ORDER CHASSIS AS AN ASSEMBLY TO MAINTAIN OPENING LABEL.



SARGENT
ASSA ABLOY

© SARGENT Manufacturing Company. All Rights reserved.

8⁰ Series Parts List

(12-) 8715
(12-) 8743
(12-) 8746

PARTS LIST

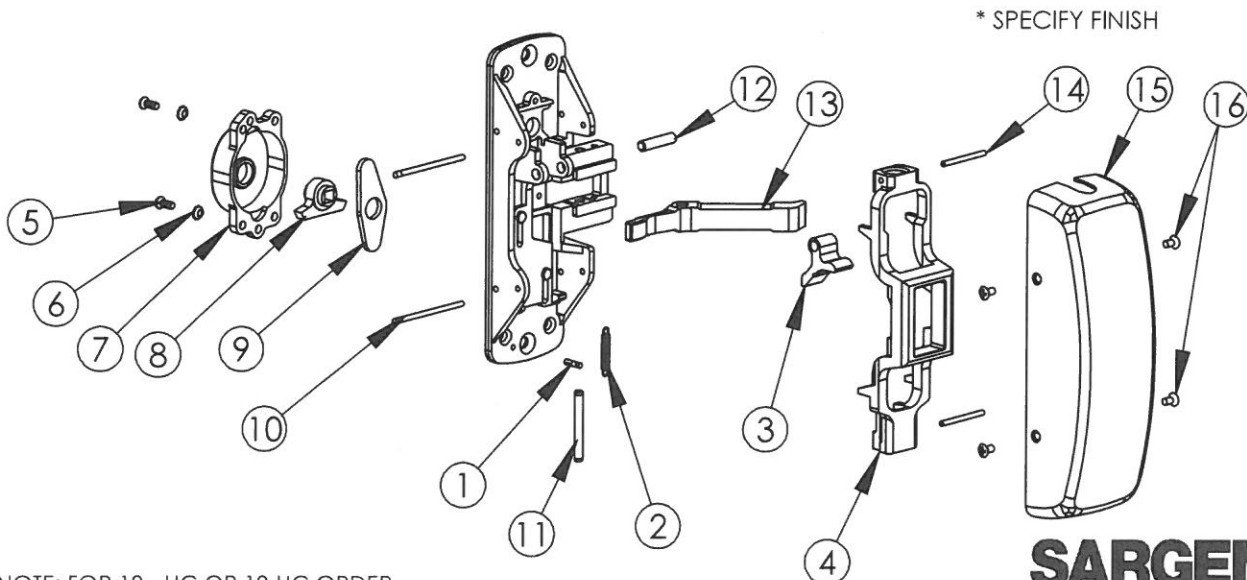
PAGE No. 87.3
REV. C

CHASSIS ASSY
LESS COVER

8/2009

8700	15, 43 AND 46 FUNCTIONS	LHRB RHRB	68-2207 68-2208
------	----------------------------	--------------	--------------------

ITEM No.	ASSY No.	PART No.	DESCRIPTION	QTY	
1	68-2207 LHRB	01-0749	GROOVE PIN	1	
2		97-0050	KNOB RETURN SPRING	1	
3		68-1090	LIFT LEVER	1	
4		68-0327	MAIN SLIDE	1	
5		01-3384	SCREW #8-32 x 7/16	2	
6		01-0930	COUNTERSUNK LOCK WASHER	2	
7		68-2208 RHRB	68-0367	KNOB HUB COVER	1
8			97-0042	KNOB HUB	1
9			97-0043	KNOB HUB RETAINER	1
10			68-0323	CHASSIS PIN	2
11		01-4512	SPIROL PIN LIFT ARM	1	
12		68-0324	LIFT LEVER PIVOT PIN	1	
13		68-0241	LIFT ARM	1	
14		97-0049	BOTTOM ROD ADJUSTMENT PIN	2	
15		68-0405	COVER, CHASSIS	1	
16		97-0052	SCREW #8-32 x 5/16 *	4	
		68-2143	STD. SCREW PACK	1	
		68-3026	12- SCREW PACK WOOD DOOR 1 3/4"		
		68-3027	12- SCREW PACK WOOD DOOR 2 1/4"		
		68-3028	12- SCREW PACK METAL DOOR		



NOTE: FOR 12-, HC OR 12-HC ORDER
CHASSIS AS AN ASSEMBLY TO MAINTAIN
OPENING LABEL

SARGENT

ASSA ABLOY

8⁰ Series
Parts List

(12-) 8728
(12-) HC8728

PARTS LIST

PAGE No. 87.4
REV. C

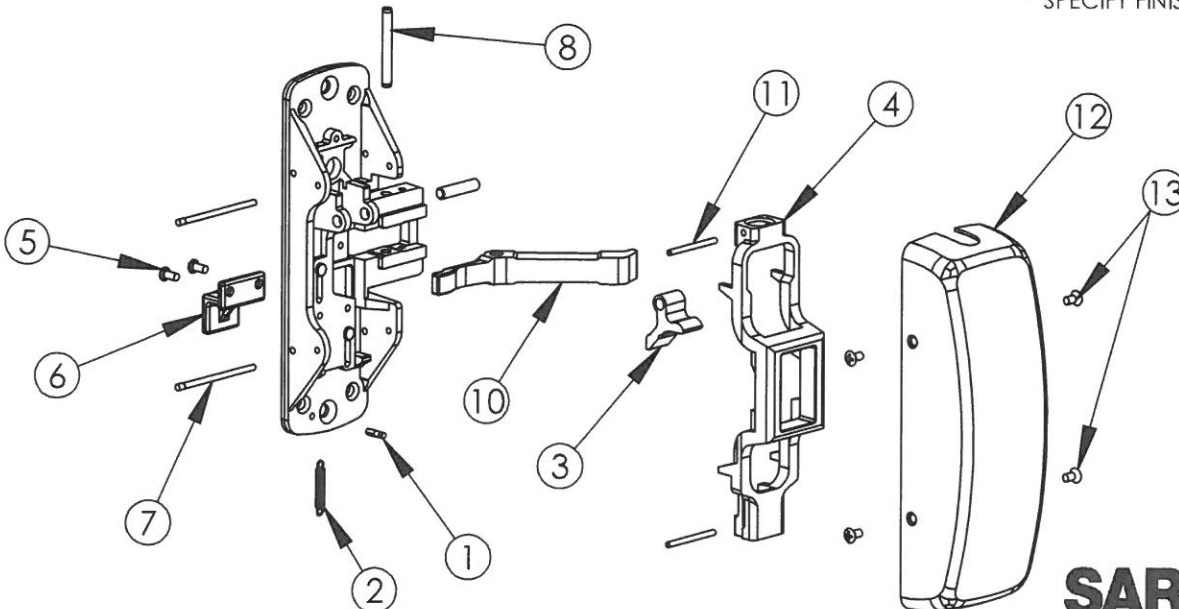
CHASSIS ASSY
LESS COVER

9/2009

8700	28 FUNCTION	LHRB RHRB	68-2210 68-2211
------	-------------	--------------	--------------------

ITEM No.	ASSY No.	PART No.	DESCRIPTION	QTY	
1	68-2210 LHRB	01-0749	GROOVE PIN	1	
2		97-0050	KNOB RETURN SPRING	1	
3		68-1090	LIFT LEVER	1	
4		68-0327	MAIN SLIDE	1	
5		01-1146	SCREW #8-32 x 3/8	2	
6		68-2211 RHRB	97-0089	THUMB PIECE LEVER	1
7			68-0323	CHASSIS PIN	2
8			01-4512	SPIROL PIN LIFT ARM	1
9			68-0324	LIFT LEVER PIVOT PIN	1
10			68-0241	LIFT ARM	1
11		97-0049	ROD ADJUSTMENT PIN	2	
12		68-0405	COVER, CHASSIS *	1	
13		97-0052	SCREW #8-32 x 5/16 *	4	
		68-2143	STD SCREW PACK	1	
		68-3026	12- SCREW PACK WOOD DOOR 1 3/4"		
		68-3027	12-SCREW PACK WOOD DOOR 2 1/4"		
		68-3028	12- SCREW PACK METAL DOOR		

* SPECIFY FINISH



NOTE: FOR 12-, HC OR 12-HC ORDER CHASSIS AS AN ASSEMBLY TO MAINTAIN OPENING LABEL

8⁰ Series
Parts List

(12-) 8762
(12-) 8763

PARTS LIST

PAGE No. 87.5
REV. C

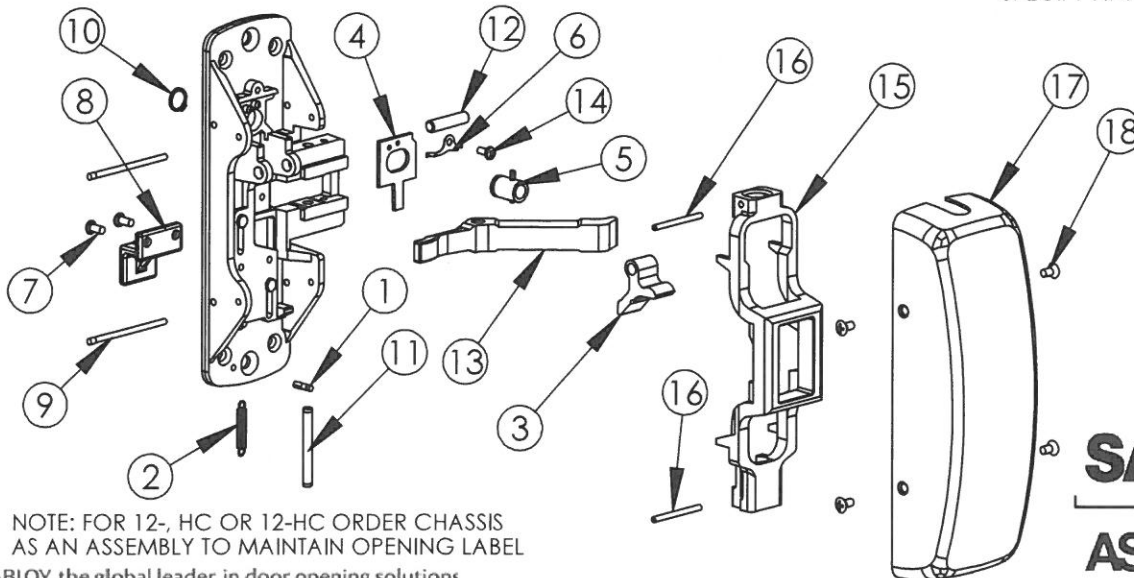
CHASSIS ASSY
LESS COVER

8/2009

8700	62, 63 FUNCTIONS	LHRB RHRB	68-2204 68-2205
------	------------------	--------------	--------------------

ITEM No.	ASSY No.	PART No.	DESCRIPTION	QTY
1		01-0749	GROOVE PIN	1
2		97-0050	KNOB RETURN SPRING	1
3		68-1090	LIFT LEVER	1
4		68-2198	LOCKING SLIDE ASSY LHRB	1
		68-2199	LOCKING SLIDE ASSY RHRB	
5		97-2048	CYLINDER HUB & PIN ASSY	1
6	68-2204 LHRB	68-0368	LOCKING SLIDE SPRING LHRB	1
		97-0006	LOCKING SLIDE SPRING RHRB	
7		01-1146	SCREW #8-32 x 3/8	2
8	68-2205 RHRB	97-0089	THUMB PIECE LEVER	1
9		68-0323	CHASSIS PIN	2
10		01-0005	RETAINING RING	1
11		01-4512	SPIROL PIN LIFT ARM	1
12		68-0324	LIFT LEVER PIVOT PIN	1
13		68-0241	LIFT ARM	1
14		01-1190	SCREW SELF TAPPING #8-32 x 5/16	1
15		68-0327	MAIN SLIDE	1
16		97-0049	ROD ADJUSTMENT PIN	2
17		68-0405	COVER, CHASSIS *	1
18		97-0052	SCREW #8-32 x 5/16 *	4
		68-2143	STD SCREW PACK	1
		68-3026	12- SCREW PACK WOOD DOOR 1 3/4"	
		68-3027	12- SCREW PACK WOOD DOOR 2 1/4"	
		68-3028	12- SCREW PACK METAL DOOR	

* SPECIFY FINISH



NOTE: FOR 12-, HC OR 12-HC ORDER CHASSIS AS AN ASSEMBLY TO MAINTAIN OPENING LABEL

ASSA ABLOY, the global leader in door opening solutions

SARGENT
ASSA ABLOY

8⁰ Series Parts List

8706 8710 8713
8715 8728 8740
8743 8746 8762
8763 8773 8774

PARTS LIST

PAGE No. REV.
87.6 C

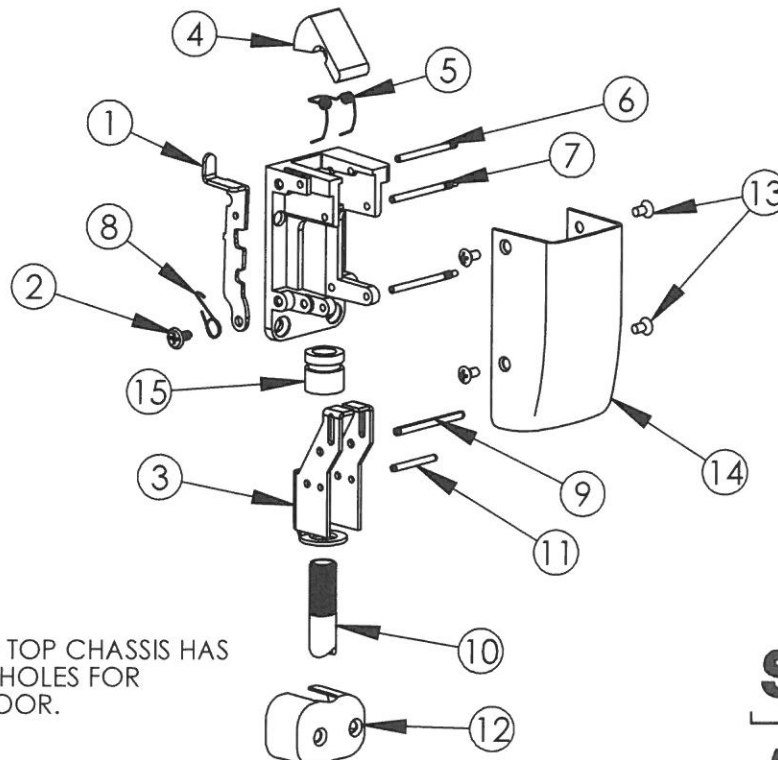
CHASSIS ASSEMBLY
LESS COVER

8/2009

8700	MANUFACTURED BEFORE 11/11/2002	LHRB RHRB	97-2434
8700	MANUFACTURED AFTER 11/11/2002	LHRB RHRB	68-4557

MANUFACTURED BEFORE 11/11/2002				MANUFACTURED AFTER 11/11/2002			
ITEM No.	PART No.	DESCRIPTION	QTY.	ITEM NO.	PART No.	DESCRIPTION	QTY.
1	68-1155	LEVER, LATCH RELEASE	1	1	68-1155	LEVER, LATCH RELEASE	1
2	97-0065	PIN, LATCH RELEASE LEVER	1	2	97-0065	PIN, LATCH RELEASE LEVER	1
3	97-0298	TOP SLIDE	1	3	97-0298	TOP SLIDE	1
4	97-0296	LATCH BOLT	1	4	97-0296	LATCH BOLT	1
5	97-0300	SPRING, LATCH BOLT	1	5	97-0300	SPRING, LATCH BOLT	1
6	97-0294	PIVOT PIN LATCH BOLT	1	6	97-0294	PIVOT PIN LATCH BOLT	1
7	97-0046	RETAINING PIN TOP SLIDE	2	7	97-0046	RETAINING PIN TOP SLIDE	2
8	97-0579	SPRING, TORSION	1	8	97-0579	SPRING, TORSION	1
9	01-0461	SPIROL PIN LATCH HOLD BACK	1	9	01-0461	SPIROL PIN LATCH HOLD BACK	1
10	670T	TOP ROD KIT * (SPECIFY DOOR SIZE AND CROSS BAR HEIGHT)	1	10	670T	TOP ROD KIT * SPECIFY DOOR SIZE AND CROSS BAR HEIGHT)	1
11	97-0048	RETAINING PIN TOP ROD	1	11	01-0002	ROLL PIN TOP ROD ADJUSTER	1
12	97-0020	ROD GUIDE	1	12	97-0020	ROD GUIDE	1
13	97-0052	SCREW #8-32 x 5/16 *	4	13	97-0052	SCREW #8-32 x 5/16" *	4
14	97-0018	TOP COVER *	1	14	97-0018	TOP COVER *	1
-	68-2113	SCREW PACK	1	15	68-1455	ADJUSTER, TOP ROD	1
-	629	TOP STRIKE PACK	1	-	68-2113	SCREW PACK	1
				-	629	TOP STRIKE PACK	1

* SPECIFY FINISH



NOTE: STANDARD TOP CHASSIS HAS THREE (3) SCREW HOLES FOR MOUNTING TO DOOR.

SARGENT
ASSA ABLOY

8⁰ Series Parts List

8706 8710
8713 8715
8728 8740
8743 8746
8762 8763
8773 8774

PARTS LIST

PAGE No. 87.7
REV. C

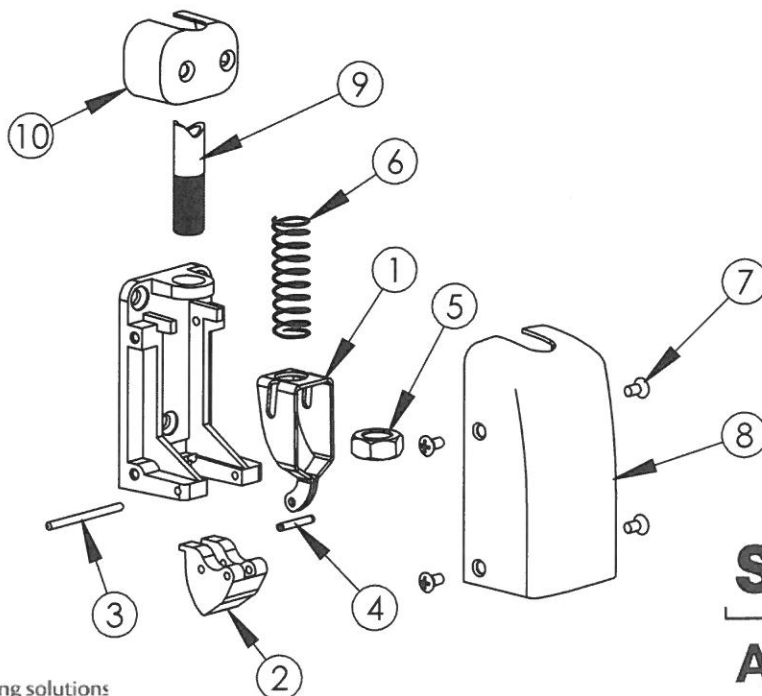
8/2009

BOTTOM CASE
LESS COVER

8700	MANUFACTURED BEFORE 11/11/2002	LHRB RHRB	97-2038
8700	MANUFACTURED AFTER 11/11/2002	LHRB RHRB	68-4549

ITEM No.	ASSY No.	PART No.	DESCRIPTION	QTY
1	97-2038	97-0035	RETRACTOR	1
2		97-0053	LATCH BOLT	1
3		97-0048	BOTTOM ROD ADJUSTMENT PIN	1
4		01-0697	SPIROL PIN	1
1	68-4549	97-0035	RETRACTOR	1
2		97-0053	LATCH BOLT	1
3		97-0048	BOTTOM ROD ADJUSTMENT PIN	1
4		01-0697	SPIROL PIN	1
5		97-0572	ROD ADJUSTMENT NUT	1
6		97-0101	SPRING, COMPRESSION	1
7		97-0052	SCREW * #8-32 x 5/16	4
8		97-0018	BOTTOM COVER *	1
9		670B	BOTTOM ROD KIT * SPECIFY W/WO THRESHOLD AND CROSSBAR HEIGHT	1
10		97-0020	ROD GUIDE *	1
-		97-0048	ADJUSTMENT PIN BOTTOM ROD	1
-		68-2113	SCREW PACK BOTTOM AND TOP CASES	1
-		624	STD BOTTOM STRIKE PACK	1

* SPECIFY FINISH



© SARGENT Manufacturing Company. All Rights reserved.

SARGENT
ASSA ABLOY

8⁰ Series Parts List

14-8706 14-8710
 14-8713 14-8715
 14-8728 14-8740
 14-8743 14-8746
 14-8762 14-8763
 14-8773 14-8774

PARTS LIST

PAGE REV.
 No. 87.7-1 B

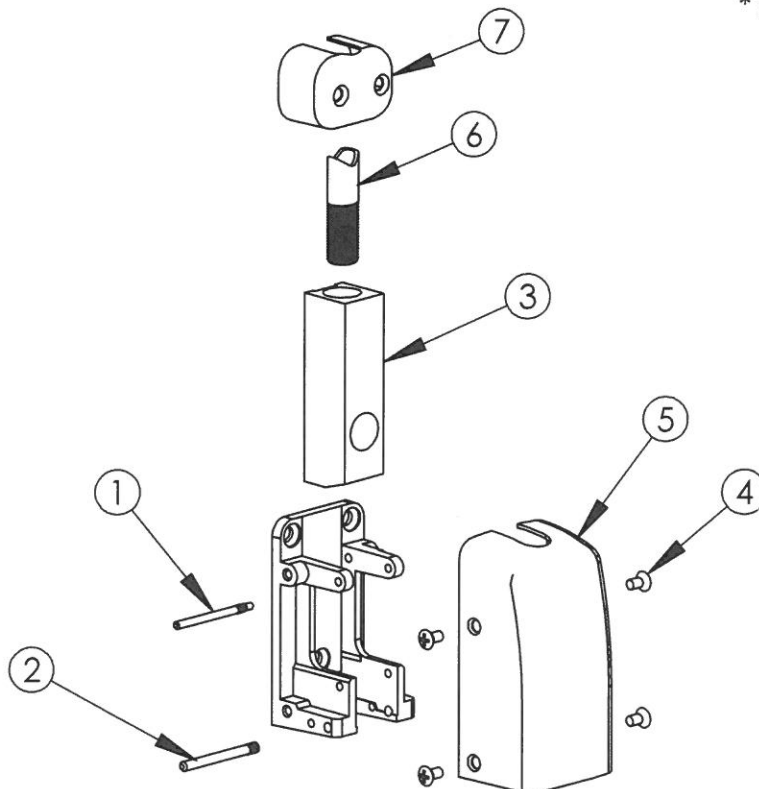
8/2009

BOTTOM CASE
 LESS COVER

14-8700	MANUFACTURED BEFORE 11/11/2002	LHRB RHRB	97-2039
14-8700	MANUFACTURED AFTER 11/11/2002	LHRB RHRB	97-4556

ITEM No.	ASSY No.	PART No.	DESCRIPTION	QTY
1	68-4556	97-0046	RETAINING PIN	1
2		97-0045	BUSHING PIN	1
3		68-1456	SLIDING BOLT	1
1	97-2039	97-0046	RETAINING PIN	1
2		97-0045	BUSHING PIN	1
3		97-0039	SLIDING BOLT	1
4		97-0052	SCREW * #8-32 x 5/16	4
5		97-0018	BOTTOM COVER *	1
6		670B	BOTTOM ROD KIT * SPECIFY W/WO THRESHOLD AND CROSSBAR HEIGHT	1
7		97-0020	ROD GUIDE *	1
8	FOR 97-2039 ONLY	97-0048	ADJUSTMENT PIN BOTTOM ROD	1
9		68-2113	SCREW PACK BOTTOM CASE	1
10		647	14-BOTTOM STRIKE PACK	1

* SPECIFY FINISH



8⁰ Series Parts List

12-8706 12-8710
12-8713 12-8715
12-8728 12-8740
12-8743 12-8746
12-8762 12-8763
12-8773 12-8774

TOP CHASSIS
LESS COVER

PARTS LIST

PAGE No. 87.8
REV. C

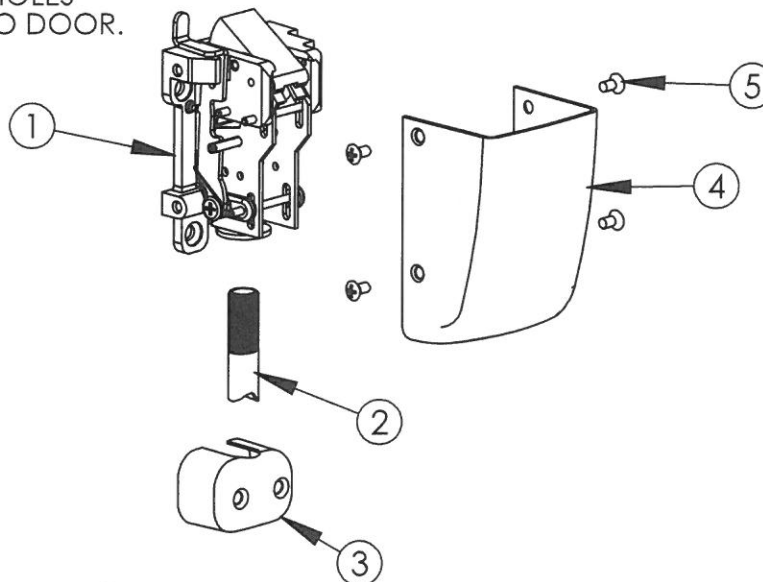
8/2009

12-8700	MANUFACTURED BEFORE 11/11/2002	LHRB RHRB	97-2963
12-8700	MANUFACTURED AFTER 11/11/2002	LHRB RHRB	68-4559

ITEM No.	PART No.	DESCRIPTION	QTY
1	SEE ABOVE	CHASSIS ASSEMBLY	1
2	670T	TOP ROD KIT FOR 97-2963 (SPECIFY DOOR SIZE AND CROSS BAR HEIGHT) *	1
		TOP ROD KIT FOR 68-4559 (SPECIFY DOOR SIZE AND CROSS BAR HEIGHT) *	
3	97-0020	ROD GUIDE *	1
4	97-0392	CHASSIS COVER *	1
5	97-0052	SCREW #8-32 x 5/16 *	4
	97-0049	TOP ROD ADJUSTING PIN (FOR 97-2963)	1
	97-0051	SPRING (FOR LATCH RETRACTOR LEVER)	1
	68-3026	12- SCREW PACK (WOOD DOOR 1 3/4")	1
	68-3027	12- SCREW PACK (WOOD DOOR 2 1/4")	
	68-3028	12- SCREW PACK (METAL DOOR)	
	646	ADJUSTABLE STRIKE PACK	
	655	FLAT STRIKE PACK	

* SPECIFY FINISH

NOTE: 12- CHASSIS HAS FOUR (4) SCREW HOLES FOR MOUNTING TO DOOR.



80 Series Parts List

12-HC8706 12-HC8710
 12-HC8713 12-HC8715
 12-HC8728 12-HC8740
 12-HC8743 12-HC8746
 12-HC8762 12-HC8763
 12-HC8773 12-HC8774

PARTS LIST

PAGE No. 87.9
 REV. C

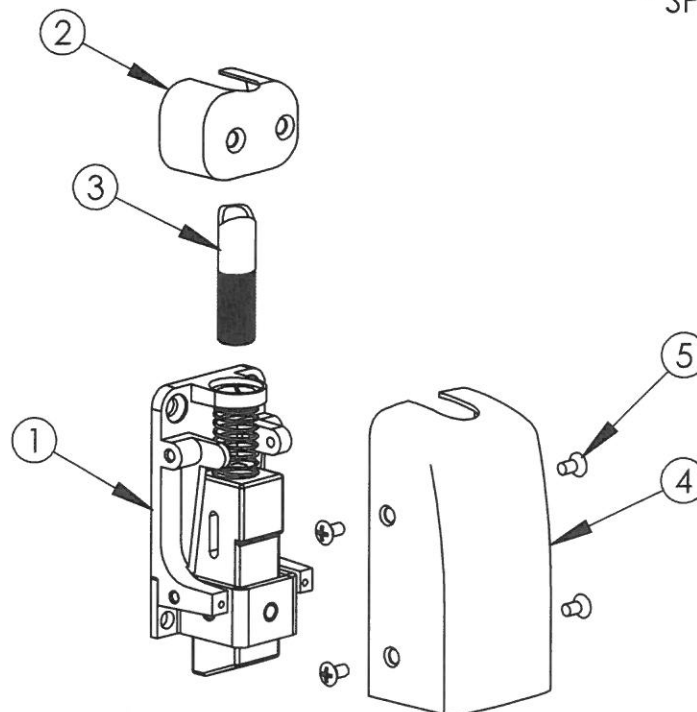
8/2009

BOTTOM CHASSIS
 LESS COVER

12-8700 12-HC8700	MANUFACTURED BEFORE 11/11/2002	LHRB RHRB	97-2002
12-8700 12-HC8700	MANUFACTURED AFTER 11/11/2002	LHRB RHRB	68-4558

ITEM No.	PART No.	DESCRIPTION	QTY
1	SEE ABOVE	BOTTOM CHASSIS ASSEMBLY	1
2	97-0020	ROD GUIDE *	1
3	670B	BOTTOM ROD KIT (SPECIFY W/WO THRESHOLD AND CROSSBAR HEIGHT) *	1
4	97-0087	BOTTOM COVER *	1
5	97-0052	SCREW #8-32 x 5/16 *	4
	68 3026	12- SCREW PACK WOOD DOOR 1 3/4"	1
	68-3027	12- SCREW PACK WOOD DOOR 2 1/4"	
	68-3028	12-SCREW PACK METAL DOOR	
	68-3924	HC SCREW PACK TOP AND BOTTOM CASES	
	646	ADJUSTABLE STRIKE PACK	1
	655	FLAT STRIKE PACK	

* SPECIFY FINISH



© SARGENT Manufacturing Company. All Rights reserved.

SARGENT
ASSA ABLOY

80 SERIES PARTS LIST

(12-)HC8706 (12-)HC8710
 (12-)HC8713 (12-)HC8715
 (12-)HC8728 (12-)HC8740
 (12-)HC8743 (12-)HC8746
 (12-)HC8762 (12-)HC8763
 (12-)HC8773 (12-)HC8774

PARTS LIST

PAGE No. 87.10
 REV. C

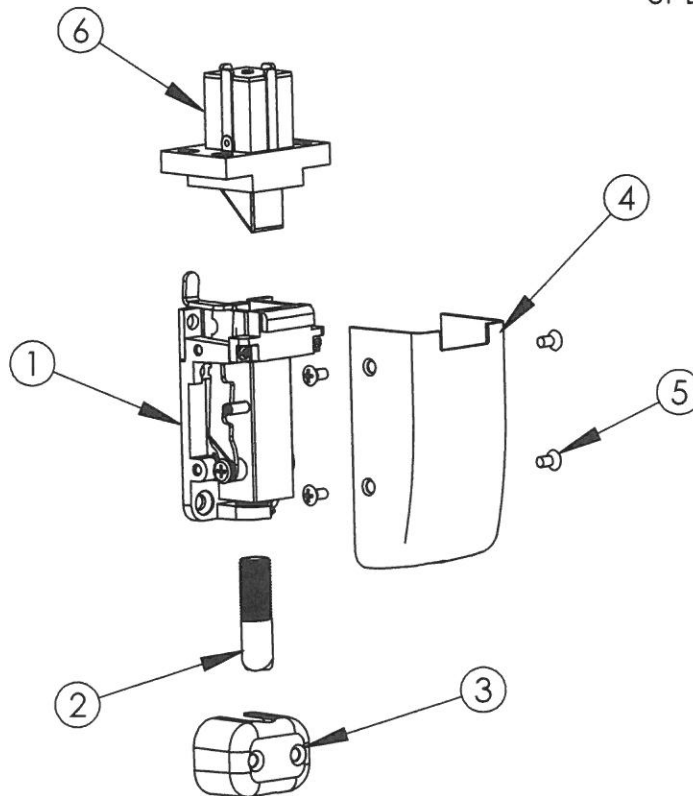
TOP CHASSIS
 LESS COVER
 AND STRIKE

9/2009

(12-)HC8700	MANUFACTURED BEFORE 11/11/2002	LHRB RHRB	97-2003
(12-)HC8700	MANUFACTURED AFTER 11/11/2002	LHRB RHRB	68-4561

ITEM No.	PART No.	DESCRIPTION	QTY.
1	SEE ABOVE	TOP CHASSIS ASSEMBLY	1
2	68-0003	TOP ROD FOR 68-4561 (SPECIFY DOOR SIZE AND CROSS BAR HEIGHT). *	1
	97-0034	TOP ROD FOR 97-2003 (SPECIFY DOOR SIZE AND CROSS BAR HEIGHT). *	
3	97-0020	ROD GUIDE *	1
4	97-0084	TOP COVER *	1
5	97-0052	SCREW #8-32 x 5/16 *	4
6	654	TOP STRIKE PACK WITH SCREWS	1
	97-0051	SPRING FOR LATCH RETRACTOR LEVER	1
	68-3924	HC SCREW PACK TOP AND BOTTOM CASES	1

* SPECIFY FINISH



© SARGENT Manufacturing Company. All Rights reserved.

SARGENT
ASSA ABLOY

80 Series Parts List

12-SP8706 12-SP8773 12-PP8743 12-PP8715
 12-PR8715 12-SP8710 12-SP8774 12-PR8710
 12-PP8746 12-PR8740 12-SP8713 12-PR8774
 12-PP8706 12-PP8773 12-PR8743 12-SP8746
 12-SP8715 12-PP8710 12-PP8774 12-PP8740
 12-PR8746 12-SP8740 12-PP8713 12-PR8713
 12-PR8706 12-PR8773 12-SP8743

PARTS LIST

PAGE REV.
 No. 87.11A C

ITEM No.	ASSY No.	PART No.	DESCRIPTION	QTY
1		68-1184	GUIDE PIN	1
2		68-1208	ET CAM, LEFT HAND	1
		68-1209	ET CAM, RIGHT HAND	
3		68-1170	LEFT HAND OUTSIDE ACTUATOR	1
		68-1171	RIGHT HAND OUTSIDE ACTUATOR	
4		68-1193	SPRING, UPPER LINK	1
5		68-4270	UPPER LINK ASSEMBLY, LHRB	1
		68-4271	UPPER LINK ASSEMBLY RHRB	
6	68-3931 LHRB	68-0101	LEFT HAND CENTER LINK	1
		68-0102	RIGHT HAND CENTER LINK	
7	68-3932 RHRB	68-1180	TUBE SUPPORT	1
8		01-3595	CR-RHMS 8-32x0.25	2
9		68-1137	LIFT ARM	1
10		97-0048	BOTTOM ROD ADJUSTMENT PIN	1
11		68-1210	HAIR PIN	1
12		68-1191	LINK PIN	1
13		98-0238	COTTER PIN	1
14		68-1182	PIN, CENTER LINK	1
17		01-4512	SPIROL PIN	1
18		01-0005	RETAINING RING	1
19		68-0405	COVER, CHASSIS *	1
20		97-0052	SCREW #8-32 x 5/16 *	4
-		68-3028	SCREW PACK	1

* SPECIFY FINISH

NOTE: FOR 12- APPLICATIONS,
 CHASSIS ASSEMBLY, 68-3931 OR 68-3932
 CAN ONLY BE ORDERED AS AN ASSEMBLY.

NOTE: COMPATIBLE WITH 700-8 ET
 AND DUMMY TRIM ONLY.

© SARGENT Manufacturing Company. All Rights reserved.

SARGENT
ASSA ABLOY

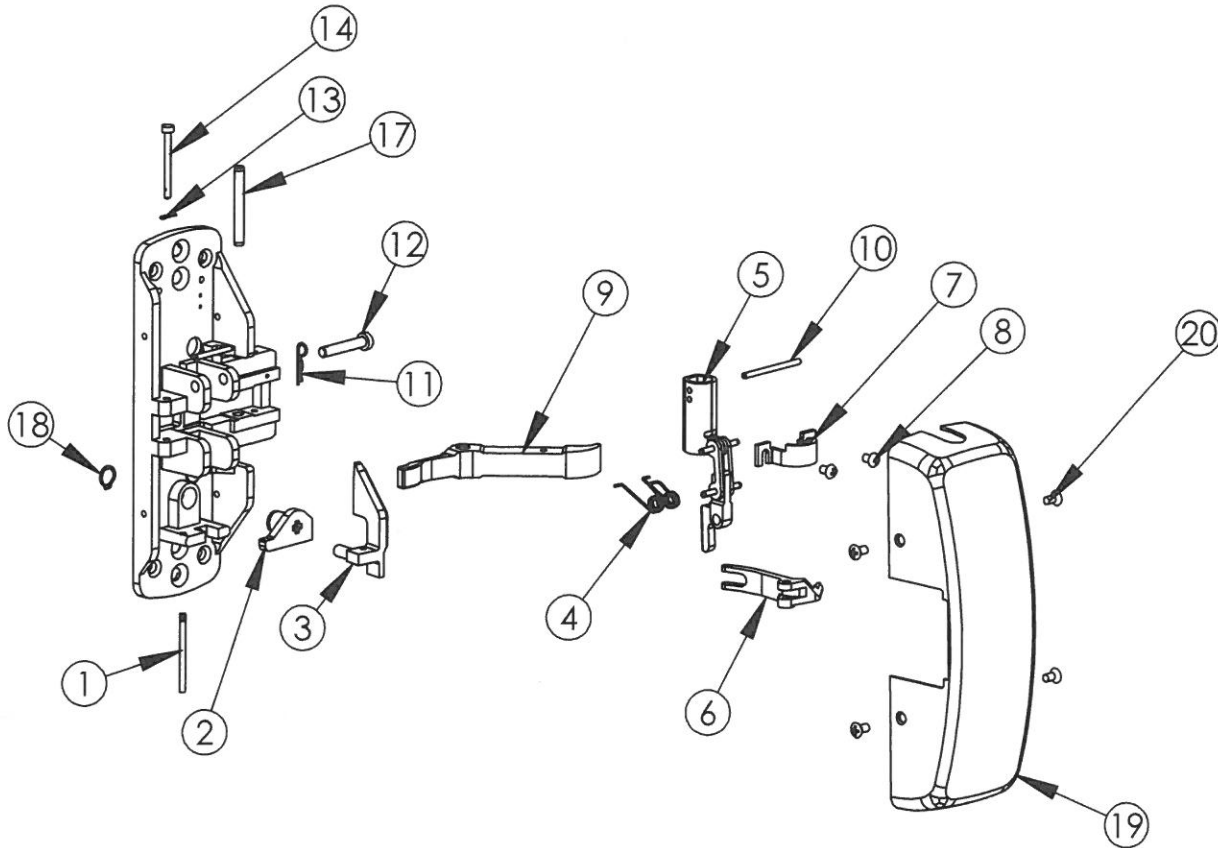
8⁰ Series Parts List

12-SP8706	12-SP8773	12-PP8743	12-PP8715
12-PR8715	12-SP8710	12-SP8774	12-PR8710
12-PP8746	12-PR8740	12-SP8713	12-PR8774
12-PP8706	12-PP8773	12-PR8743	12-SP8746
12-SP8715	12-PP8710	12-PP8774	12-PP8740
12-PR8746	12-SP8740	12-PP8713	12-PR8713
12-PR8706	12-PR8773	12-SP8743	

PARTS LIST

PAGE No. 87.11B
REV. C

8/2009



THIS PAGE MUST FACE 87.11A

© SARGENT Manufacturing Company. All Rights reserved.

SARGENT
ASSA ABLOY

8⁰ Series Parts List

12-NB8706 12-NB8710
 12-NB8713 12-NB8715
 12-NB8740 12-NB8743
 12-NB8746 12-NB8773
 12-NB8774

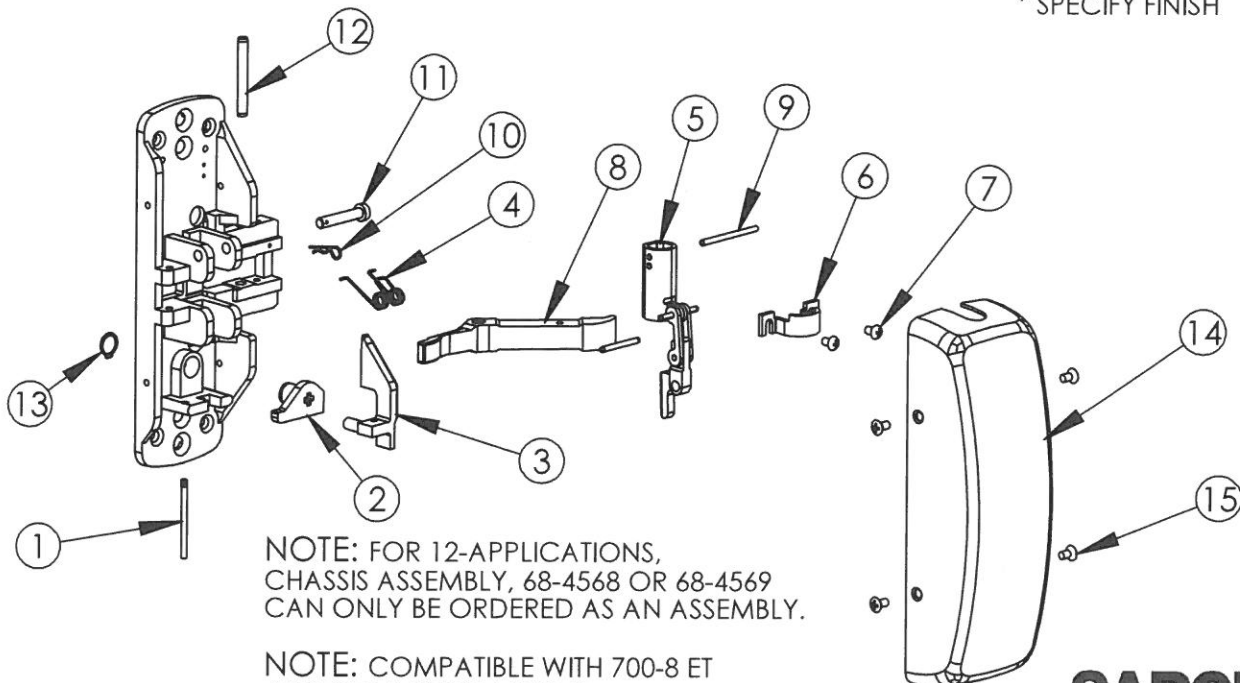
PARTS LIST

PAGE REV.
 No. No.
 87.11-1 B

8/2009

ITEM No.	ASSY No.	PART No.	DESCRIPTION	QTY
1		68-1184	GUIDE PIN	1
2		68-1208	ET CAM, LEFT HAND	1
		68-1209	ET CAM, RIGHT CAM	
3		68-1170	LEFT HAND OUTSIDE ACTUATOR	1
		68-1171	RIGHT HAND, OUTSIDE ACTUATOR	
4		68-1193	SPRING, UPPER LINK	1
5	68-4568 LHRB	68-4270	UPPER LINK ASSEMBLY, LHRB	1
		68-4271	UPPER LINK ASSEMBLY, RHRB	
6	68-4569 RHRB	68-1180	TUBE SUPPORT	1
7		01-3595	SCREW #8-32 x 1/4	2
8		68-1137	LIFT ARM	1
9		97-0048	BOTTOM ROD ADJUSTMENT PIN	1
10		68-1210	HAIR PIN	1
11		68-1191	LINK PIN	1
12		01-4512	SPIROL PIN	1
13		01-0005	RETAINING RING	1
14		68-0405	COVER, CHASSIS *	1
15		97-0052	SCREW #8-32 x 5/16 *	4

* SPECIFY FINISH



© SARGENT Manufacturing Company. All Rights reserved.

SARGENT
ASSA ABLOY

80 SERIES PARTS LIST

SP/PP/PR/NB8700
ALL AVAILABLE
FUNCTIONS

LHRB
RHRB

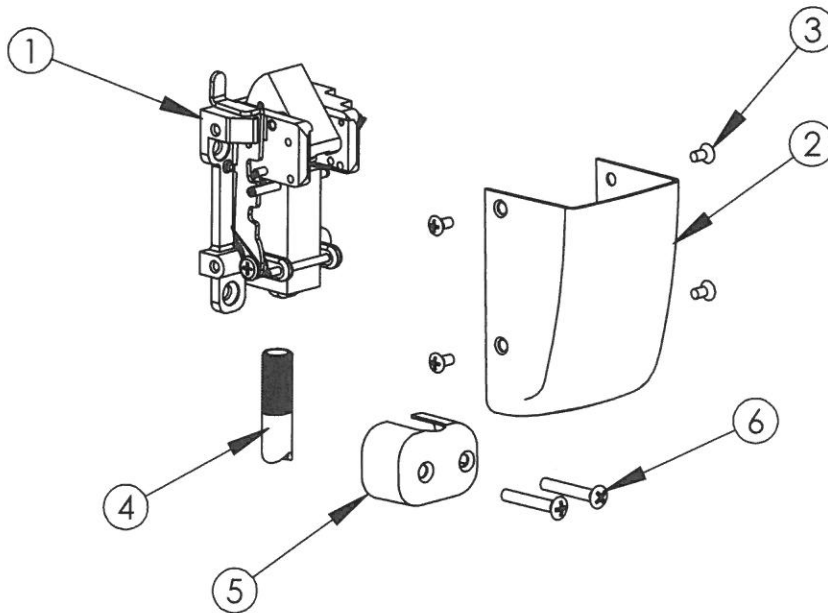
PARTS LIST

PAGE No. 87.12
REV. E

8/2009

ITEM No.	PART No.	DESCRIPTION	QTY
1	68-3933	TOP CHASSIS ASSEMBLY	1
2	97-0392	COVER *	1
3	97-0052	SCREW #8-32 x 5/16 *	4
4	670T	TOP ROD KIT * (SPECIFY DOOR HEIGHT x CROSS BAR HEIGHT)	1
5	97-0020	ROD GUIDE	1
6	01-1032	SCREW #10-24 x 1 1/4" * (WITH #8 HEAD)	2
	68-3028	SCREW PACK	1
	655	FLAT STRIKE (ALTERNATE)	1
	646	STANDARD STRIKE	

* SPECIFY FINISH



© SARGENT Manufacturing Company. All Rights reserved.

SARGENT
ASSA ABLOY

80 SERIES PARTS LIST

PP8706 PP8746 SP8715
 PP8710 PP8773 SP8740
 PP8713 PP8774 SP8743
 PP8715 SP8706 SP8746
 PP8740 SP8710 SP8773
 PP8743 SP8713 SP8774

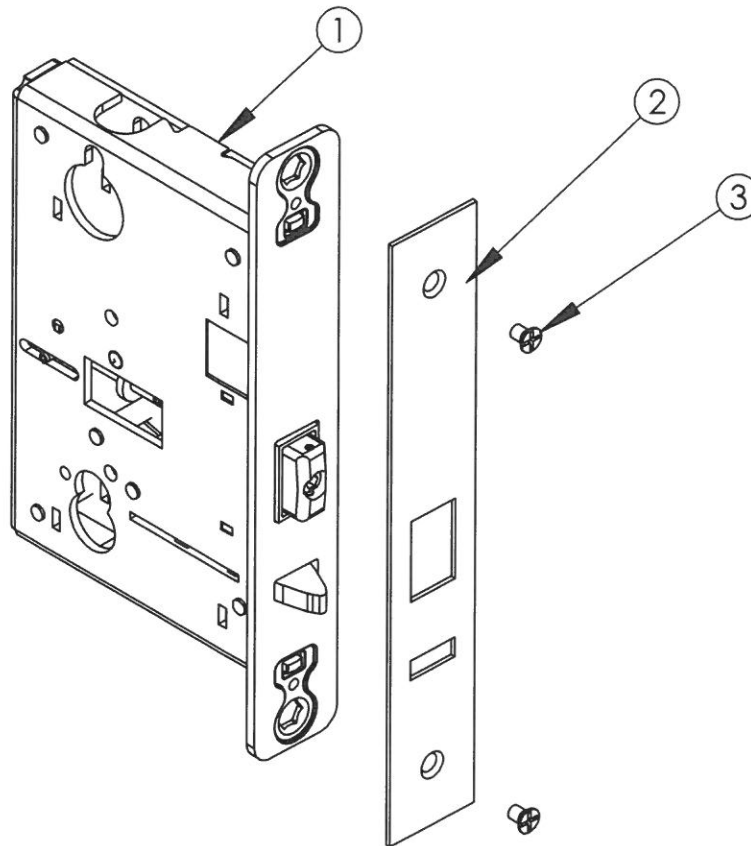
LHRB
 RHRB

PARTS LIST
 PAGE No. REV.
 87.13 F

8/2009

ITEM No.	PART No.	DESCRIPTION	QTY
1	68-3934	CASE ASSEMBLY	1
2	68-1186	ACTIVE OUTSIDE FRONT	1
3	01-1028	SCREW #8-32 x 1/4	2
-	77-4236	SCREW PACK	1
-	C7710	STRIKE *	1

* STRIKE FOR USE WITH SP8700 ONLY.
 SPECIFY 32D AND HAND.



© SARGENT Manufacturing Company. All Rights reserved.

SARGENT
ASSA ABLOY

80 SERIES PARTS LIST

PR8706 PR8710
 PR8713 PR8715
 PR8740 PR8743
 PR8746 PR8773
 PR8774

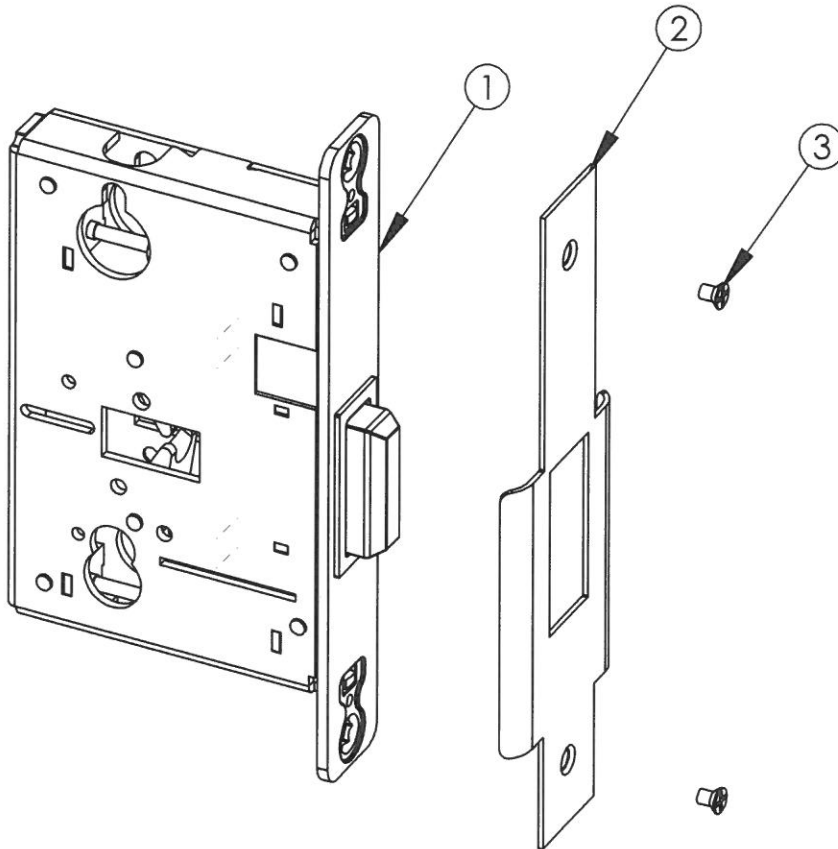
LHRB
 RHRB

PARTS LIST

PAGE No. REV.
 87.14 D

9/2009

ITEM No.	PART No.	DESCRIPTION	QTY
1	68-3935	INACTIVE MORTISE CASE ASSEMBLY	1
2	68-1183	INACTIVE OUTSIDE FRONT	1
3	01-1028	SCREW #8-32 x 1/4	2
	77-4236	SCREW PACK	1



© SARGENT Manufacturing Company. All Rights reserved.

SARGENT
ASSA ABLOY

80 SERIES PARTS LIST

59-8706 59-8710
 59-8713 59-8715
 59-8728 59-8762
 59-8763

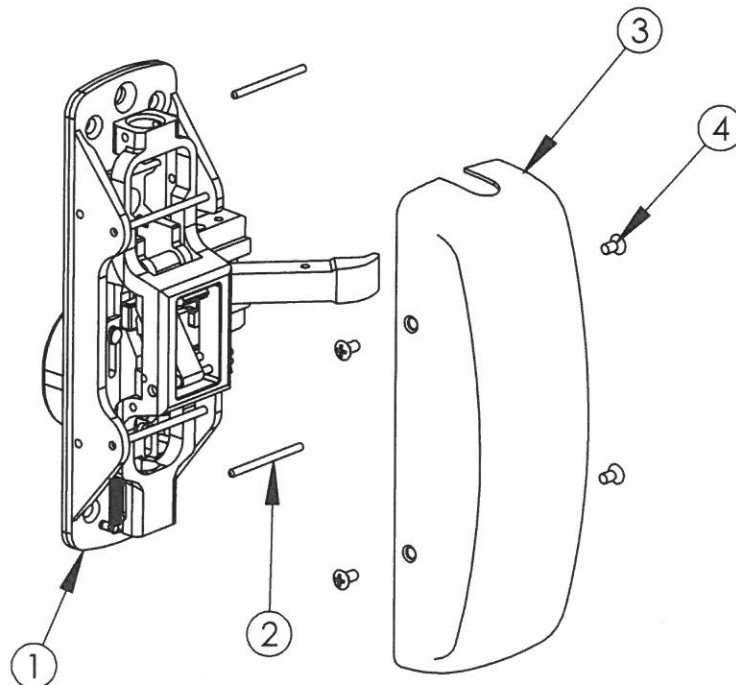
PARTS LIST

PAGE REV.
 No. 87.15 B

9/2009

ITEM No.	PART No.	DESCRIPTION	QTY
1	68-3714	CHASSIS 06 OR 13 LH (CHASSIS LOCKS TRIM)	1
	68-3715	CHASSIS 06 OR 13 RH (CHASSIS LOCKS TRIM)	
	68-3717	CHASSIS 15 LH (ALL LOCKING DONE IN TRIM)	
	68-3718	CHASSIS 15 RH (ALL LOCKING DONE IN TRIM)	
	68-3823	CHASSIS 10 LH	
	68-3824	CHASSIS 10 RH	
	68-3826	CHASSIS 62 OR 63 LH (CHASSIS LOCKS TRIM)	
	68-3827	CHASSIS 62 OR 63 RH (CHASSIS LOCKS TRIM)	
	68-3829	CHASSIS 28 LH	
	68-3830	CHASSIS 28 RH	
2	97-0048	ROD ADJUSTMENT PIN	2
3	68-0405	COVER *	1
4	97-0052	SCREW * #8-32 x 5/16	4
	68-3026	12- SCREW PACK WOOD DOOR 1 3/4"	1
	68-3027	12- SCREW PACK WOOD DOOR 2 1/4"	
	68-3028	12- SCREW PACK METAL DOOR	

* SPECIFY FINISH



© SARGENT Manufacturing Company. All Rights reserved.

SARGENT

ASSA ABLOY

80 series
Parts List

AL-B700

Parts List
Page No. 87.16 Rev. A
11/11/2002

AL-B700	ALL FUNCTIONS	LHRB RHRB	CHASSIS ASSEMBLY LESS COVER SEE TABLE BELOW
---------	---------------	--------------	--

ITEM	PART NO.	DESCRIPTION	QTY
1	68-4112	CHASSIS 06 OR 13 LH (CHASSIS LOCKS TRIM)	1
	68-4113	CHASSIS 06 OR 13 RH (CHASSIS LOCKS TRIM)	
	68-4115	CHASSIS 15 LH (ALL LOCKING DONE IN TRIM)	
	68-4116	CHASSIS 15 RH (ALL LOCKING DONE IN TRIM)	
	68-4124	CHASSIS 10 LH	
	68-4125	CHASSIS 10 RH	
	68-4121	CHASSIS 62 OR 63 LH (CHASSIS LOCKS TRIM)	
	68-4122	CHASSIS 62 OR 63 RH (CHASSIS LOCKS TRIM)	
	68-4118	CHASSIS 28 LH	
	68-4119	CHASSIS 28 RH	
2	97-0049	ROD ADJUSTMENT PIN	2
3	68-0405	COVER *	1
4	97-0052	SCREW * #8-32 X 5/16	4
	68-2143	STD. SREW PACK	1
	68-3026	12- SCREW PACK WOOD DOOR 1 3/4"	
	68-3027	12- SCREW PACK WOOD DOOR 2 1/4"	
	68-3028	12- SCREW PACK METAL DOOR	

* SPECIFY FINISH

