

80 series
Parts List

8804	8806	8810
8813	8815	8840
8843	8844	8846
8873	8874	8875
8876	8877	8878
8881	8882	8888

PARTS AFTER 2/5/01
REPLACES 13, 15,
AND ELECTRICAL
TRIM CHASSIS

Parts List

Page No. REV.
88.1-1 B

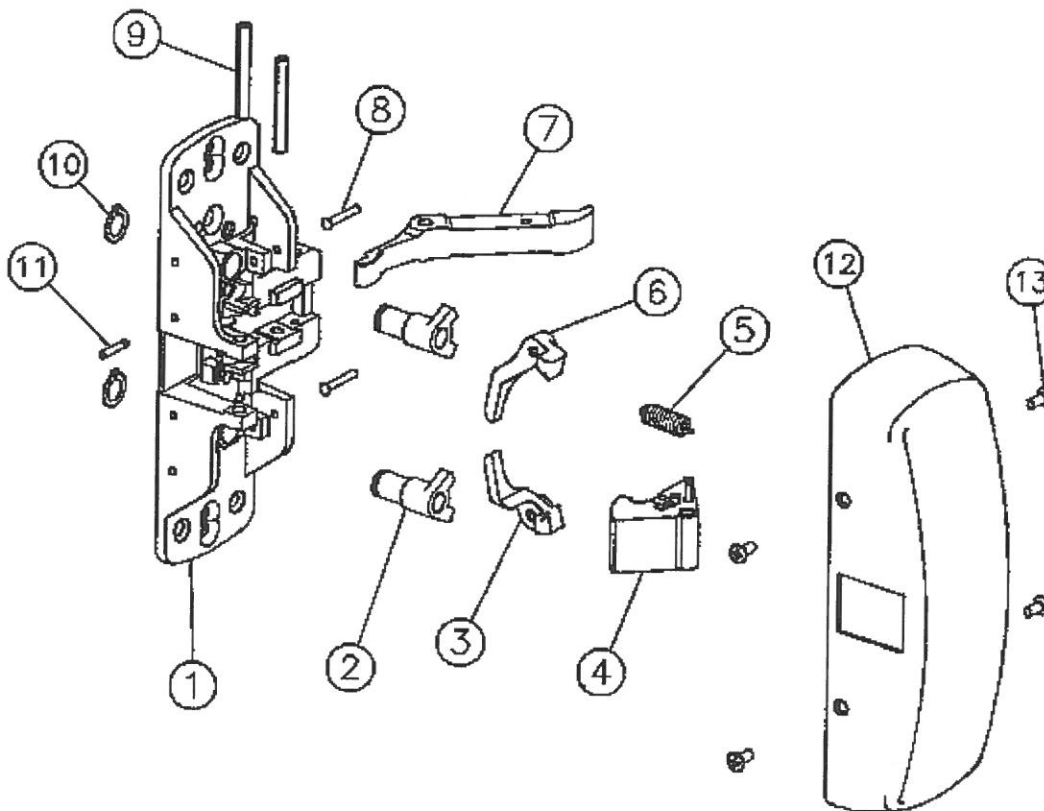
1/2/2004

CHASSIS ASSEMBLY
LESS COVER

8800	ALL FUNCTIONS	LHRB RHRB	68-4261
------	---------------	--------------	---------

ITEM	ASSY NO.	PART NO.	DESCRIPTION	QTY
1		—	CHASSIS	1
2		98-0018	OUTSIDE HUB	2
3		68-1366	LIFT LEVER (LH)	1
4		68-4413	LATCH BOLT	1
5		98-0028	SPRING, LATCHBOLT	1
6	68-4261	68-1367	LIFT LEVER (RH)	1
7		68-1137	LIFT ARM	1
8		98-0011	PIVOT PIN (LIFT LEVER)	2
9		01-4512	SPIROL PIN	2
10		01-0005	RETAINING RING	2
11		01-0008	GROOVE PIN	1
12		68-0406	COVER *	1
13		97-0052	COVER SCREW (8-32 X 5/16)*	4
		68-2143	SCREW PACK	1
		649	STRIKE PACK	1

* SPECIFY FINISH



80 series Parts List

8816

Parts List
Page No 88.4
Rev D
1/2/2004

8800	16 FUNCTION	LHRB	68-2352
		RHRB	68-2353

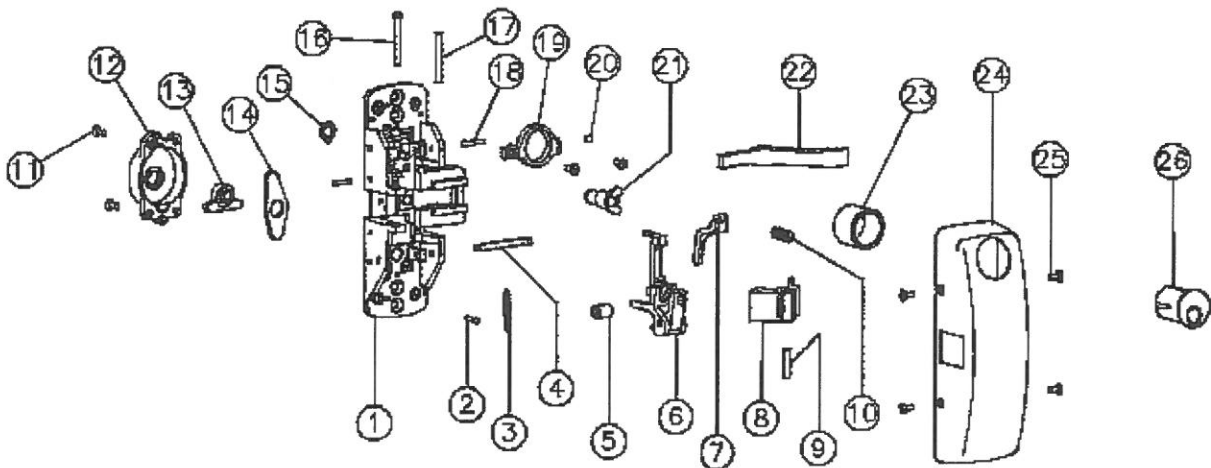
CHASSIS ASSEMBLY
LESS COVER

ITEM	PART NO.	DESCRIPTION	QTY	ITEM	PART NO.	DESCRIPTION	QTY
1	—	CHASSIS ASSY	1	2	01-0008	GROOVE PIN	1
3	97-0050	SPRING KNOB RETURN	1	4	68-0271	PIVOT PIN KNOB LEVER	1
5	68-0273	BUSHING KNOB LEVER	1	6	68-4236	KNOB LEVER ASSY LHRB	1
7	68-0237	LATCHBOLT LEVER LHRB **	1	6	68-4235	KNOB LEVER ASSY RHRB	1
	68-0238	LATCHBOLT LEVER RHRB **					
9	97-0040	BUSHING LATCHBOLT	1	8	68-4454	LATCHBOLT ASSY	1
11	01-3384	SCREW #8-32 X 5/16	4	10	98-0028	SPRING LATCHBOLT	1
13	97-0042	KNOB HUB	1	12	68-0367	KNOB HUB COVER	1
15	01-0005	RETAINING RING	1	14	97-0043	KNOB HUB RETAINER	1
17	01-4512	PIVOT PIN LIFT ARM	1	16	01-0013	SCREW LATCHBOLT PIVOT	1
19	98-0020	INSIDE CYLINDER RETAINER	1	18	98-0011	PIVOT PIN LATCHBOLT LEVER	1
21	98-0018	OUTSIDE CYLINDER HUB	1	20	01-1095	SET SCREW #8-32 X 1/4 CUP POINT	1
23	98-0021	CYLINDER BLOCKING RING *	1	22	68-1137	LIFT ARM	1
25	97-0052	SCREW #8-32 X 5/16 *	4	24	68-0408	COVER LHRB *	1
—	68-2143	SCREW PACK	1	24	68-0409	COVER RHRB *	1
				26	—	CYLINDER * Ø	1
				—	649	STRIKE *	1

* SPECIFY FINISH

** ORDER OPPOSITE HAND FROM DOOR

Ø SPECIFY KEYING REQUIREMENTS
BY #44 CYLINDER



8 series
Parts List

8828

Parts List

Page No. REV.
88.5 C

1/2/2004

CHASSIS ASSEMBLY
LESS COVER

8800

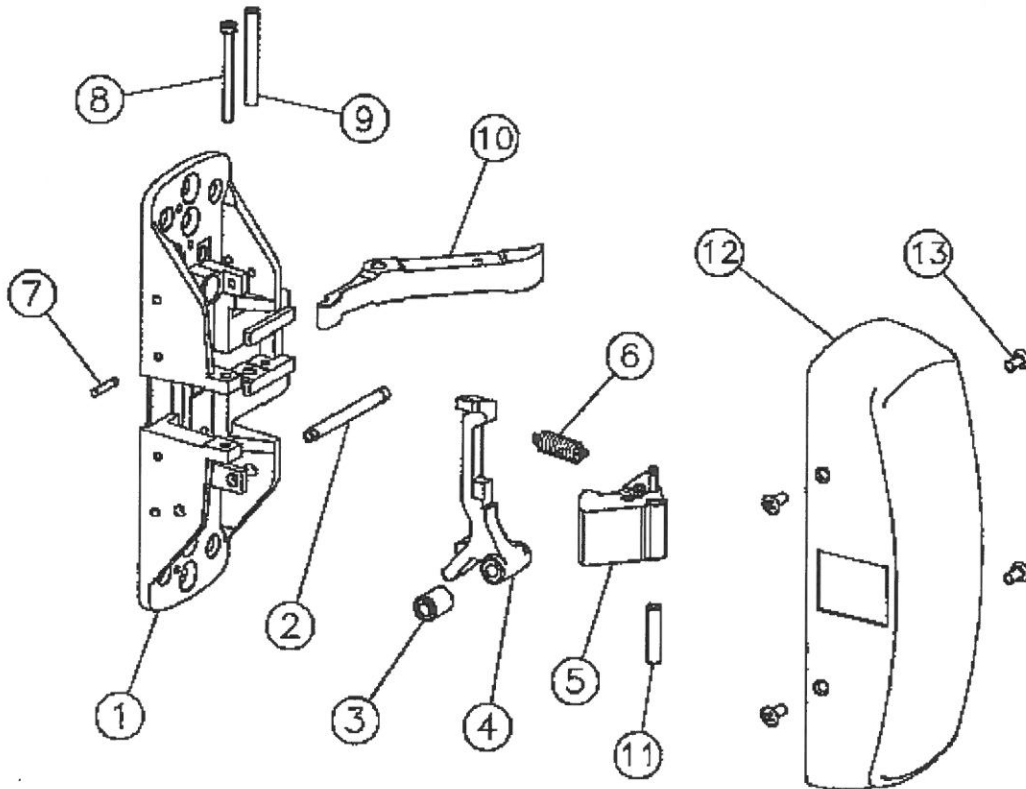
28 FUNCTION

LHRB
RHRB

68-2106
68-2107

1			CHASSIS	1
2		68-0271	PIVOT PIN THUMB LEVER	1
3		68-0273	BUSHING THUMB LEVER	1
4		68-0260	THUMB PIECE LEVER LHRB	1
	68-2106	68-0261	THUMB PIECE LEVER RHRB	1
5	LHRB	68-4454	LATCHBOLT ASSY	1
6	68-2107	98-0028	SPRING LATCHBOLT	1
	RHRB	01-0008	GROOVE PIN	1
7		01-0013	SCREW LATCHBOLT PIVOT	1
8		01-4512	PIVOT PIN LIFT ARM	1
9		68-1137	LIFT ARM	1
10		97-0040	BUSHING LATCHBOLT	1
11		68-0406	COVER *	1
12		97-0052	SCREW #B-32 X 5/16 *	4
13		68-2143	SCREW PACK	1
—		649	STRIKE PACK	1

* SPECIFY FINISH



80 series
Parts List

8863

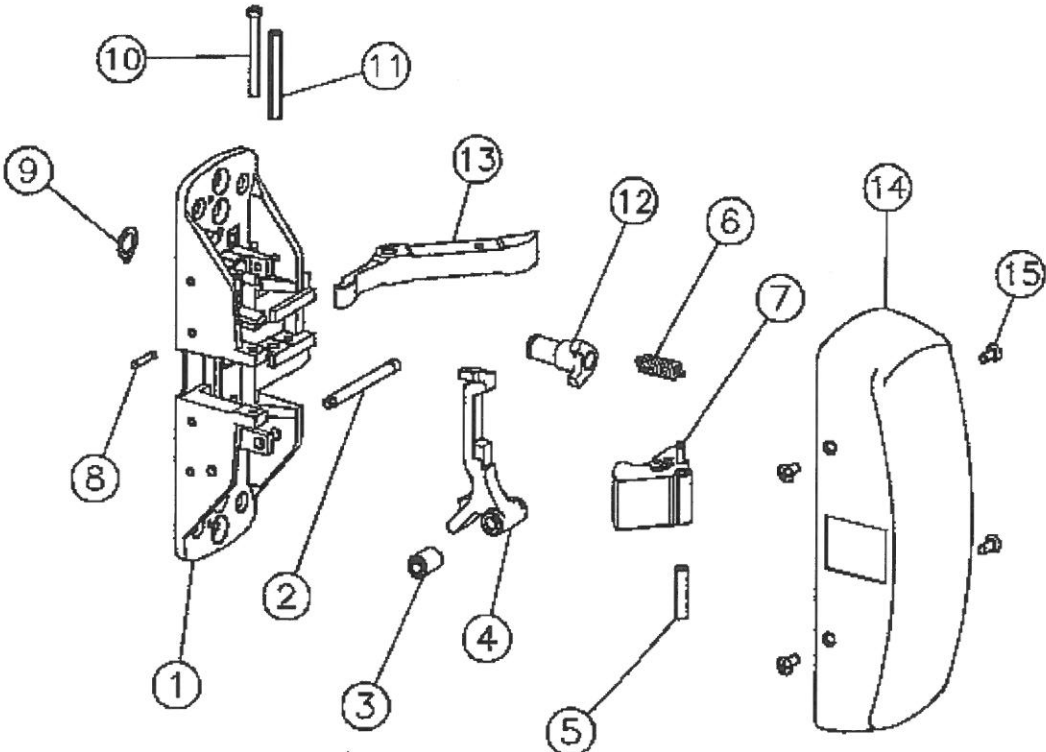
Parts List
Page No. REV.
88.6 C
1/2/2004

CHASSIS ASSEMBLY
LESS COVER

8800	63 FUNCTION	LHRB	68-2109
		RHRB	68-2110

1		CHASSIS ASSY	1
2	68-0271	PIVOT PIN THUMB LEVER	1
3	68-0273	BUSHING THUMB LEVER	1
4	68-0260	THUMB PIECE LEVER LHRB	1
	68-0261	THUMB PIECE LEVER RHRB	
5	68-2109	97-0040 BUSHING LATCHBOLT	1
6	LHRB	98-0028 SPRING LATCHBOLT	1
7	68-2110	68-4454 LATCHBOLT ASSY	1
8	RHRB	01-0008 GROOVE PIN	1
9		01-0005 RETAINING RING	1
10		01-0013 SCREW LATCHBOLT PIVOT	1
11		01-4512 PIVOT PIN LIFT ARM	1
12		98-0018 OUTSIDE CYLINDER HUB	1
13		68-1137 LIFT ARM	1
14		68-0406 COVER *	1
15		97-0052 SCREW * #8-32 X 5/16	4
—		68-2143 SCREW PACK	1
—		649 STRIKE PACK	1

* SPECIFY FINISH



80 series Parts List

8866

Parts List

Page No REV.
88.7 B

1/2/2004

CHASSIS ASSY
LESS COVER

8800

66 FUNCTION

LHRB
RHRB

68-2216

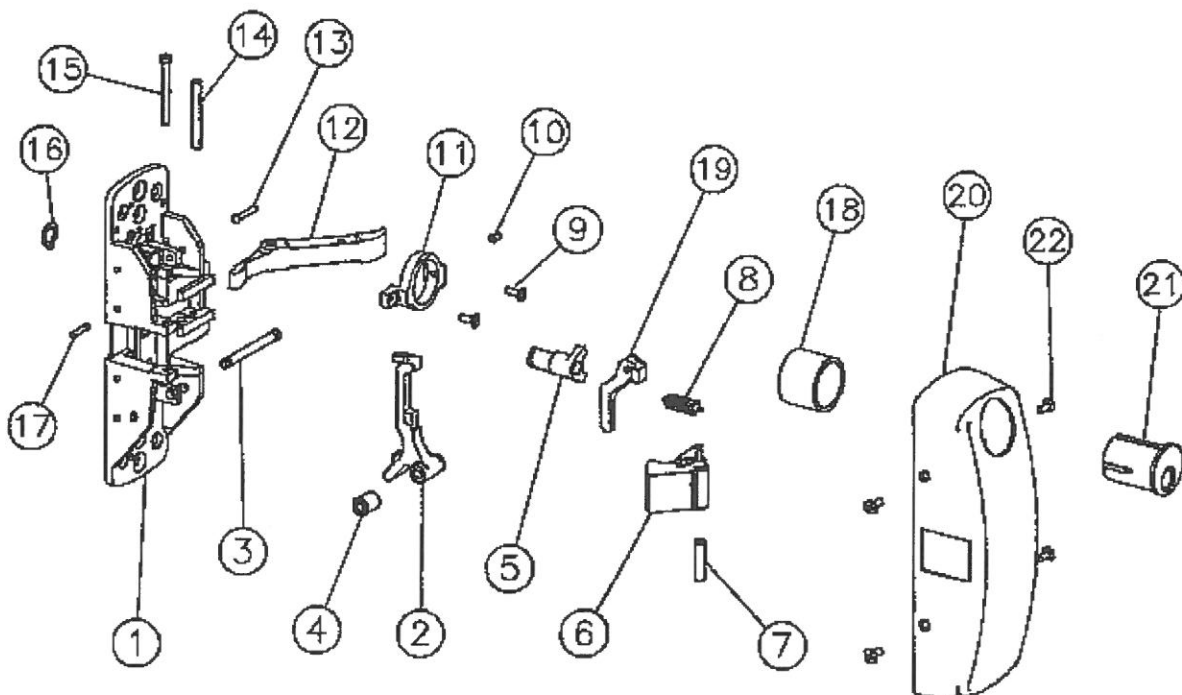
68-2217

ITEM	PART NO.	DESCRIPTION	QTY	ITEM	PART NO.	DESCRIPTION	QTY
1	—	CHASSIS ASSEMBLY	1	2	68-0260	THUMB PIECE LEVER (LH)	1
3	68-0271	PIVOT PIN	1		68-0261	THUMB PIECE LEVER (RH)	1
5	98-0018	OUTSIDE CYLINDER HUB	1	4	68-0273	BUSHING	1
7	97-0040	BUSHING, LATCH BOLT	1	6	68-4454	LATCH BOLT	1
9	01-3384	SCREW #8-32 X 5/16	2	8	97-0028	SPRING, LATCH BOLT	1
11	98-0020	INSIDE CYLINDER SUPPORT	1	10	01-1095	SET SCREW	1
13	98-0011	PIVOT PIN (LIFT LEVER)	1	12	68-1137	LIFT ARM	1
15	01-0013	LATCH BOLT SCREW	1	14	01-4512	PIVOT PIN (LIFT ARM)	1
17	01-0008	GROOVE PIN	1	16	01-0005	RETAINING RING	1
19	68-0237	LIFT LEVER LH **	1	18	98-0021	BLOCKING RING *	1
	68-0238	LIFT LEVER RH **		20	68-0408	COVER *	1
21	—	INSIDE CYLINDER ϕ	1		68-0409	COVER *	1
—	68-2143	SCREW PACK	1	22	97-0052	COVER SCREW (8-32 X 5/16) *	4
—	—	—	—	—	649	STRIKE *	1

* SPECIFY FINISH

** ORDER OPPOSITE HAND FROM CHASSIS

ϕ SPECIFY #44 CYLINDER BY KEYING REQUIREMENTS



8 series
Parts List

(12-/HC-)8804	(12-/HC-)8806
(12-/HC-)8810	(12-/HC-)8813
(12-/HC-)8815	(12-/HC-)8840
(12-/HC-)8843	(12-/HC-)8844
(12-/HC-)8846	(12-/HC-)8873
(12-/HC-)8874	(12-/HC-)8875
(12-/HC-)8876	(12-/HC-)8877
(12-/HC-)8878	(12-/HC-)8881
(12-/HC-)8882	(12-/HC-)8888

PARTS AFTER 2/5/01
REPLACES 13, 15,
AND ELECTRICAL
TRIM CHASSIS

Parts List
Page No. REV.
88.10-1 A

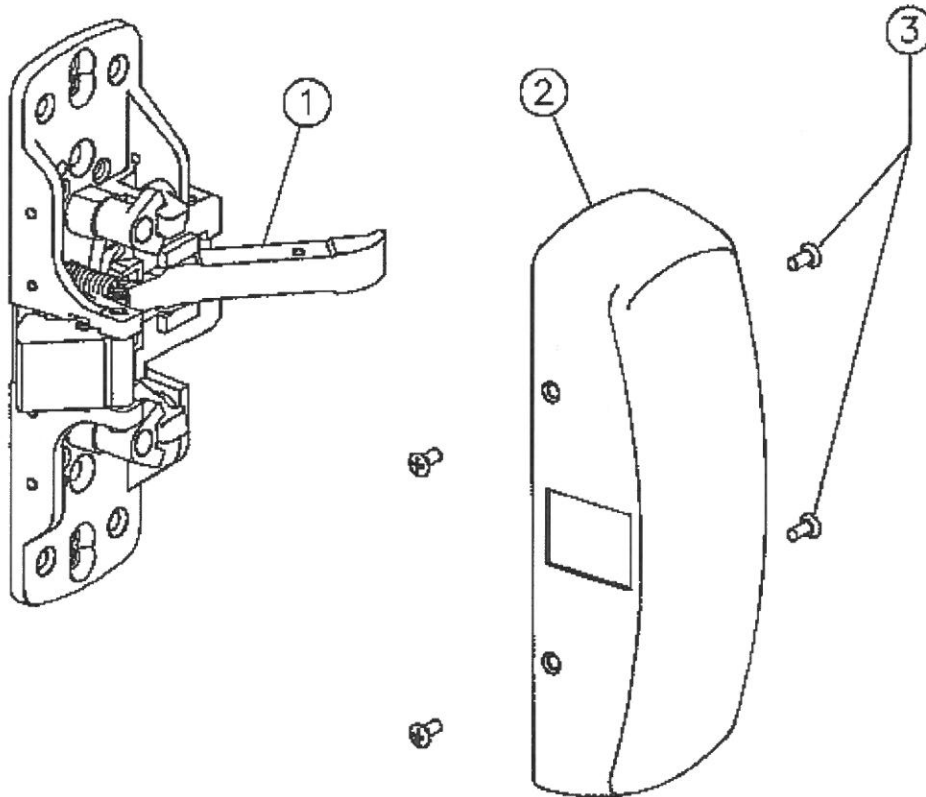
1/2/2001

CHASSIS ASSEMBLY
LESS COVER

12-8888	ALL FUNCTIONS	LHRB RHRB	68-4263
HC-8888	ALL FUNCTIONS	LHRB RHRB	68-4262
12-HC-8888	ALL FUNCTIONS	LHRB RHRB	68-4263

ITEM	ASSY NO.	PART NO.	DESCRIPTION	QTY
1		68-4263	CHASSIS (12-/12-HC-)	1
		68-4262	CHASSIS (HC-)	
2		68-0406	COVER *	1
3		97-0052	COVER SCREW (8-32 x 5/16)*	4
		68-2165	STD 12- SCREW PACK	1
		68-3922	STD HC- SCREW PACK	
		68-3920	12-HC- SCREW PACK	
		649	STRIKE PACK	1

* SPECIFY FINISH



80 series
Parts List

12-8816

Parts List

Page No Rev
88.13 A

10/2/98

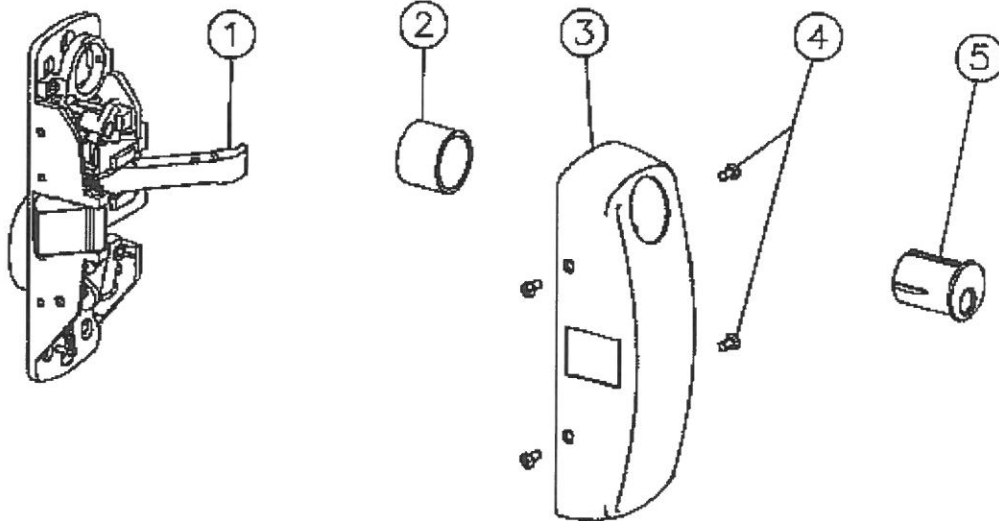
CHASSIS ASSEMBLY
LESS COVER

12-8800	16 FUNCTION	LHRB	68-2425
		RHRB	68-2426

ITEM	ASSY NO.	PART NO.	DESCRIPTION	QTY
1		68-2425	CHASSIS ASSEMBLY LHRB	1
		68-2426	CHASSIS ASSEMBLY RHRB	
2		98-0021	CYLINDER BLOCKING RING *	1
3		68-0408	COVER LHRB *	1
		68-0409	COVER RHRB *	
4		97-0052	SCREW #8-32 X 5/16 *	4
5		—	CYLINDER * ϕ	1
-		68-2165	SCREW PACK	1
-		649	STRIKE PACK	1

* SPECIFY FINISH

ϕ SPECIFY KEYING
REQUIREMENTS
BY #44 CYLINDER



80 series
Parts List

AL- & GL- PREFIXES
 8804 8806 8810
 8813 8815 8840
 8843 8844 8846
 8875 8876 8877
 8878 8881 8882

PARTS AFTER 2/5/01
 GL- INTRODUCED ON 2/5/01

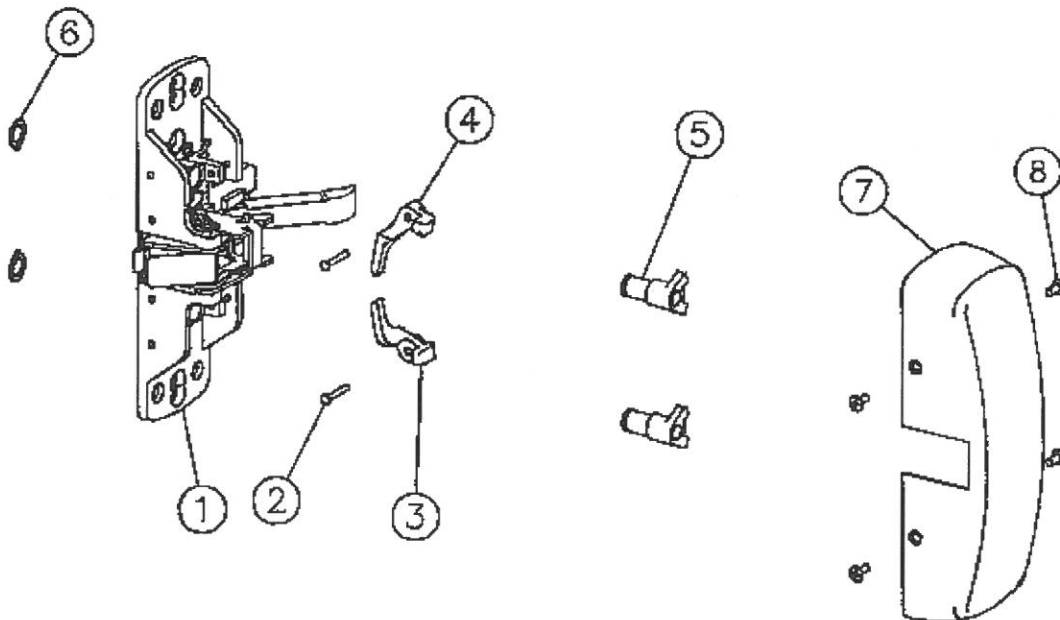
Parts List
 Page No. REV.
 88.17-1 B
 1/2/2004

CHASSIS ASSEMBLY
 LESS COVER

AL-8800	ALL FUNCTIONS EXCEPT 77, 78, 81 AND 82	LHRB RHRB	68-4410
GL-8800	ALL FUNCTIONS	LHRB RHRB	

ITEM	ASSY NO.	PART NO.	DESCRIPTION	QTY
1	STD 68-4410	---	CHASSIS ASSY	1
2		98-0011	PIVOT PIN (LIFT LEVER)	2
3		68-1366	LIFT LEVER (LH)	1
4		68-1367	LIFT LEVER (RH)	1
5		98-0018	OUTSIDE CYLINDER HUB	2
6		01-0005	RETAINING RING	2
7		68-1014	COVER *	1
8		97-0052	COVER SCREW (8-32 x 5/16) *	4
---		68-2143	STD SCREW PACK	1
---		649	STD STRIKE	1

* SPECIFY FINISH



80 series AL- AND GL- PREFIXES
Parts List 8816

PARTS AFTER 2/5/01
12-GL- INTRODUCED 2/5/01

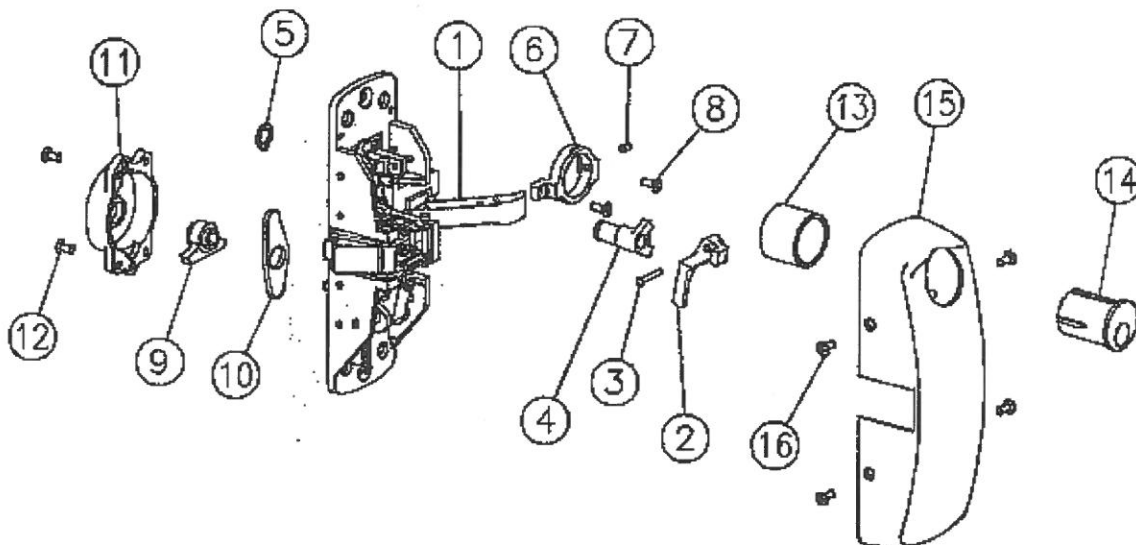
Parts List
Page No. REV.
88.17-2 B
1/2/2004

CHASSIS ASSEMBLY
LESS COVER

AL-8800	16 FUNCTION	LHRB	68-4075
GL-8800		RHRB	68-4076

ITEM	ASSY NO.	PART NO.	DESCRIPTION	QTY	
1		—————	CHASSIS	1	
2	LHRB 68-4075	68-0237	LATCHBOLT LEVER (LHRB) **	1	
		68-0238	LATCHBOLT LEVER (RHRB) **		
3		98-0011	LATCHBOLT LEVER PIVOT PIN	1	
4		98-0018	OUTSIDE CYLINDER HUB	1	
5		01-0005	RETAINING RING	1	
6		RHRB 68-4076	98-0020	INSIDE CYLINDER SUPPORT	1
7			01-1095	CYLINDER SET SCREW	1
8			01-1146	MACHINE SCREW (8-32 X 5/16)	2
9			97-0042	KNOB HUB	1
10			97-0043	KNOB HUB RETAINER	1
11			68-0367	KNOB HUB COVER	1
12			01-3384	MACHINE SCREW (8-32 X 3/8)	2
13			98-0021	CYLINDER BLOCKING RING *	1
14		—————	CYLINDER ϕ *	1	
15	68-1015	68-1015	COVER (LHRB) *	1	
		68-1016	COVER (RHRB) *		
16	97-0052	COVER SCREW (8-32 X 5/16) *	4		
	68-2143	SCREW PACK	1		
	649	STRIKE PACK	1		

- * SPECIFY FINISH
- ** ORDER OPPOSITE HAND FROM DOOR
- ϕ SPECIFY #44 CYLINDER BY KEYING REQUIREMENTS.



80 series
Parts List

AL- AND GL- PREFIXES
(12-)8828

PARTS AFTER 2/5/01

12-GL- INTRODUCED 2/5/01

Parts List

Page No. REV.
88.17-3 B

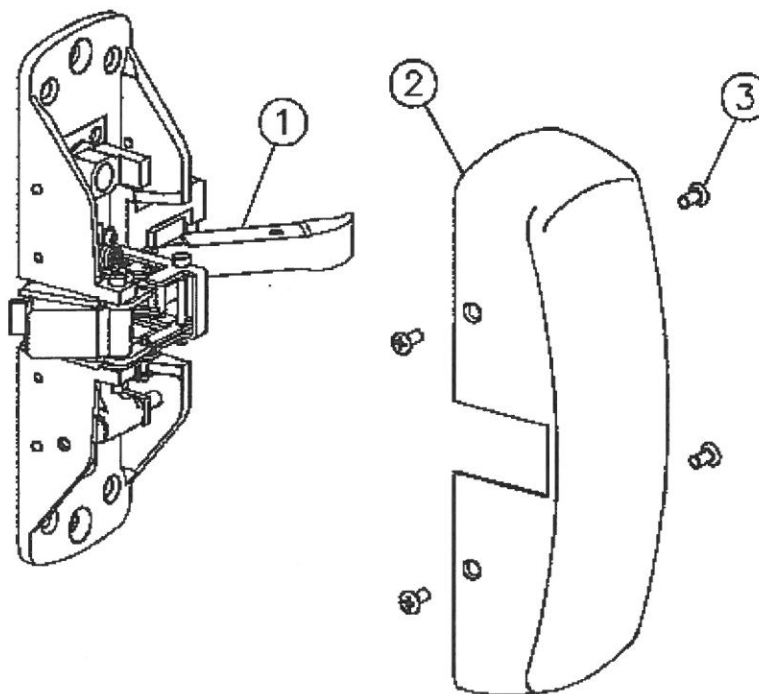
1/2/2004

CHASSIS ASSEMBLY
LESS COVER

AL-8800 GL-8800	28 FUNCTION	LHRB RHRB	68-40B0 68-40B1
12-AL-8800 12-GL-8800	28 FUNCTION	LHRB RHRB	68-40B2 68-40B3

ITEM	ASSY NO.	PART NO.	DESCRIPTION	QTY
1		68-40B0	CHASSIS STD LHRB	1
		68-40B1	CHASSIS STD RHRB	
		68-40B2	CHASSIS 12- LHRB	
		68-40B3	CHASSIS 12- RHRB	
2		68-1014	COVER *	1
3		97-0052	COVER SCREW (B-32 X 5/16) *	4
—		68-2143	SCREW PACK STD	1
		68-2165	SCREW PACK 12-	
—		649	STRIKE PACK	1

* SPECIFY FINISH



80 series
Parts List

AL- AND GL- PREFIXES
8863

PARTS AFTER 2/5/01
12-GL- INTRODUCED 2/5/01

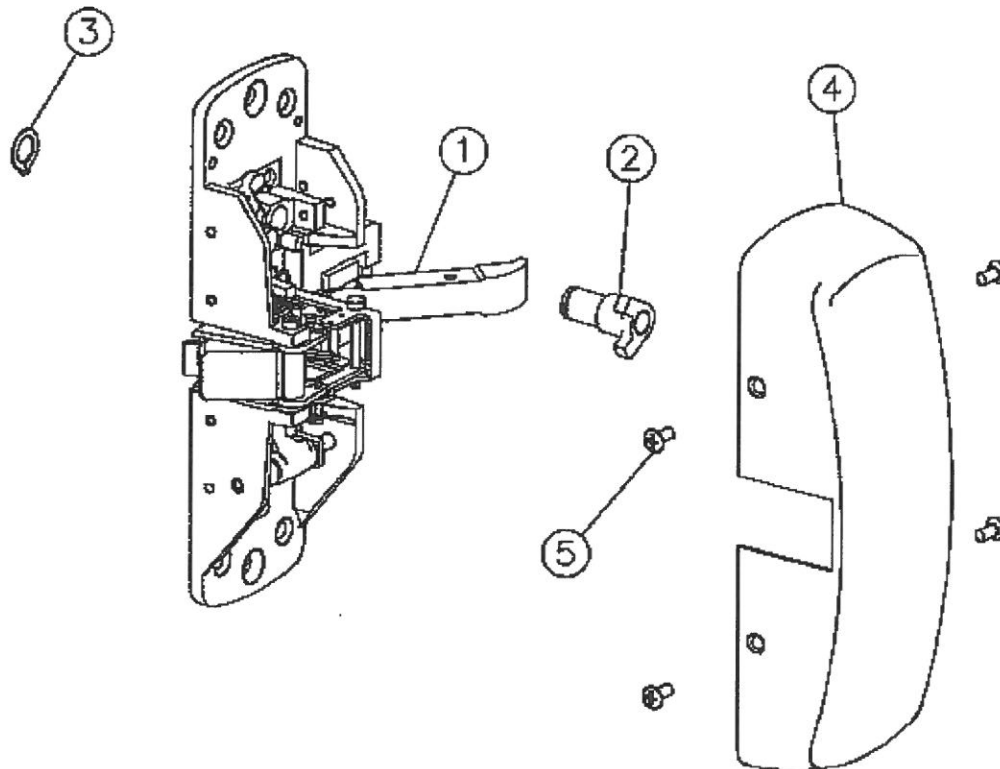
Parts List
Page No. REV.
88.17-4 B
1/2/2004

CHASSIS ASSEMBLY
LESS COVER

AL-8800	63 FUNCTION	LHRB	68-4097
GL-8800		RHRB	68-4098

ITEM	ASSY NO.	PART NO.	DESCRIPTION	QTY
1	LH	—	CHASSIS	1
2	68-4097 RH	98-0018	OUTSIDE CYLINDER HUB	1
3	68-4098	01-0005	RETAINING RING	1
4		68-1014	COVER *	1
5		97-0052	COVER SCREW (8-32 x 5/16) *	4
		68-2143	SCREW PACK	1
		649	STRIKE PACK	1

* SPECIFY FINISH



series
Parts List

AL- AND GL- PREFIXES

8866

PARTS AFTER 2/5/01

12-GL- INTRODUCED 2/5/01

Parts List

Page No. REV.
88.17-5 B

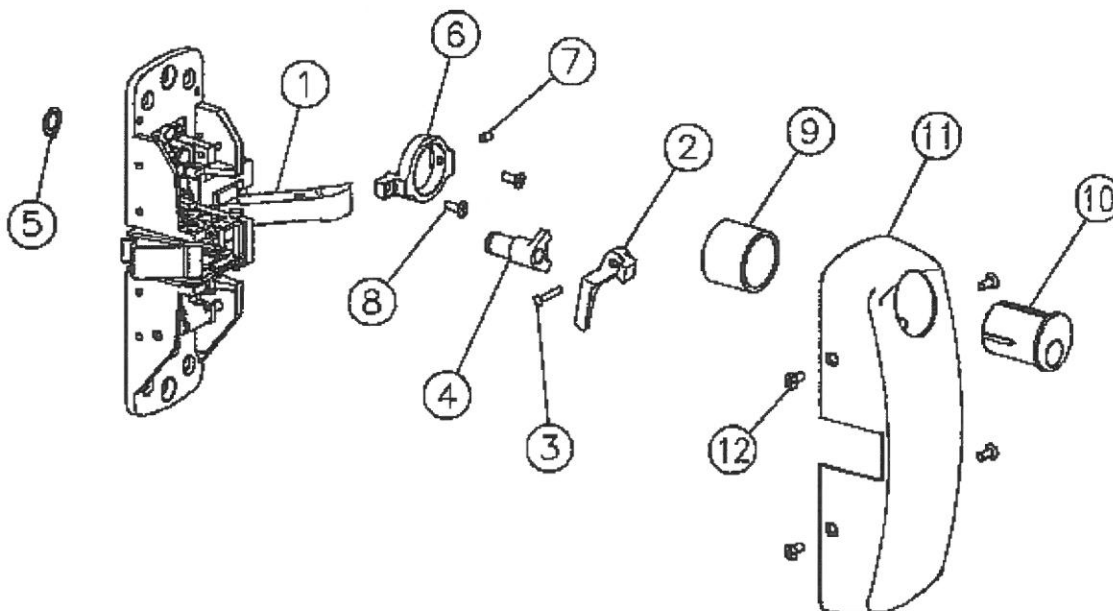
1/2/2004

CHASSIS ASSEMBLY
LESS COVER

AL-8800	66 FUNCTION	LHRB	68-4102
GL-8800		RHRB	68-4103

ITEM	ASSY NO.	PART NO.	DESCRIPTION	QTY
1			CHASSIS ASSEMBLY	1
2	LHRB 68-4102	68-0237	LATCHBOLT LEVER (LH) **	1
3		68-0238	LATCHBOLT LEVER (RH) **	
4		98-0011	LATCHBOLT LEVER PIVOT PIN	
5	RHRB 68-4103	98-0018	OUTSIDE CYLINDER HUB	1
6		01-0005	RETAINING RING	1
7		98-0020	INSIDE CYLINDER RETAINER	1
8		68-1095	CYLINDER SET SCREW	1
9		01-1146	MACHINE SCREW (8-32 x 5/16)	2
10		98-0021	CYLINDER BLOCKING RING *	1
11			CYLINDER ϕ *	1
		68-1015	COVER (LHRB) *	1
		68-1016	COVER (LHRB) *	
12		97-0052	COVER SCREW (8-32 x 5/16) *	4
		68-2143	SCREW PACK	1
		649	STRIKE PACK	1

- * SPECIFY FINISH
- ** ORDER OPPOSITE HAND FROM DOOR
- ϕ SPECIFY #44 CYLINDER BY KEYING REQUIREMENTS



80 series
Parts List

AL- AND GL- PREFIXES
 12-8804 12-8806 12-8810
 12-8813 12-8815 12-8840
 12-8843 12-8844 12-8846
 12-8875 12-8876 12-8877
 12-8878 12-8881 12-8882

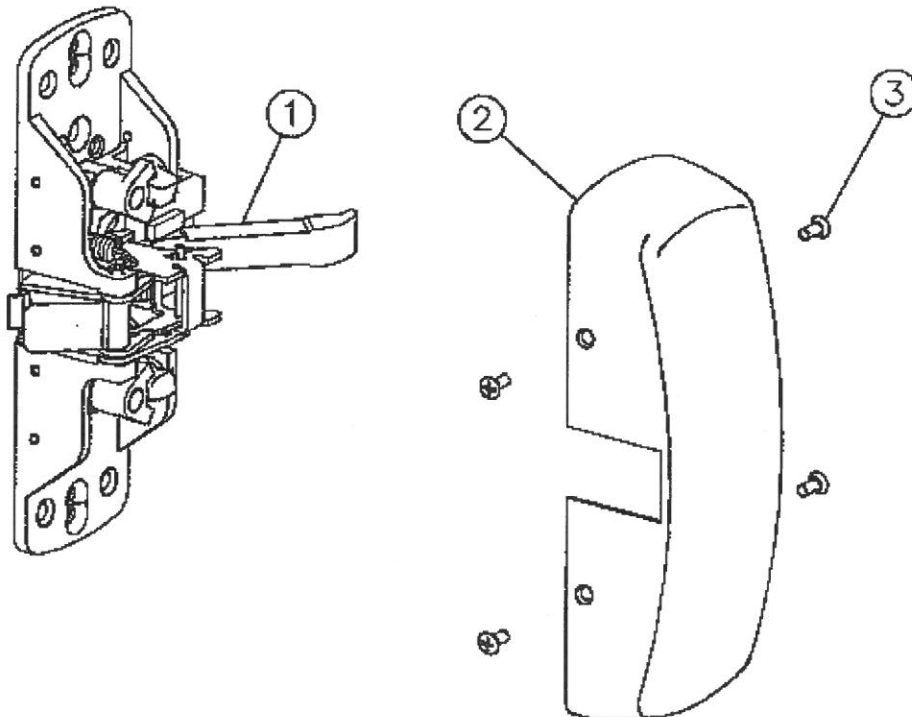
PARTS AFTER 2/5/01
 12-GL- INTRODUCED 2/5/01

Parts List
 Page No. REV.
 88.17-6 A
 1/2/2001

CHASSIS ASSEMBLY LESS COVER			
12-AL-8800	ALL FUNCTIONS EXCEPT 77, 78, 81, 82, AND 88 FUNCTIONS	LHRB RHRB	68-4411
12-GL-8800	ALL FUNCTIONS	LHRB RHRB	68-4411

ITEM	ASSY NO.	PART NO.	DESCRIPTION	QTY
1		68-4411	CHASSIS ASSEMBLY	1
2		68-1014	COVER *	1
3		97-0052	COVER SCREW (8-32 X 5/16) *	4
		68-2165	SCREW PACK	1
		649	STRIKE PACK	1

* SPECIFY FINISH



0 series
Parts List

AL- AND GL- PREFIXES
12-8816

PARTS AFTER 2/5/01

12-GL- INTRODUCED 2/5/01

Parts List

Page No. REV.
88.17-7 A

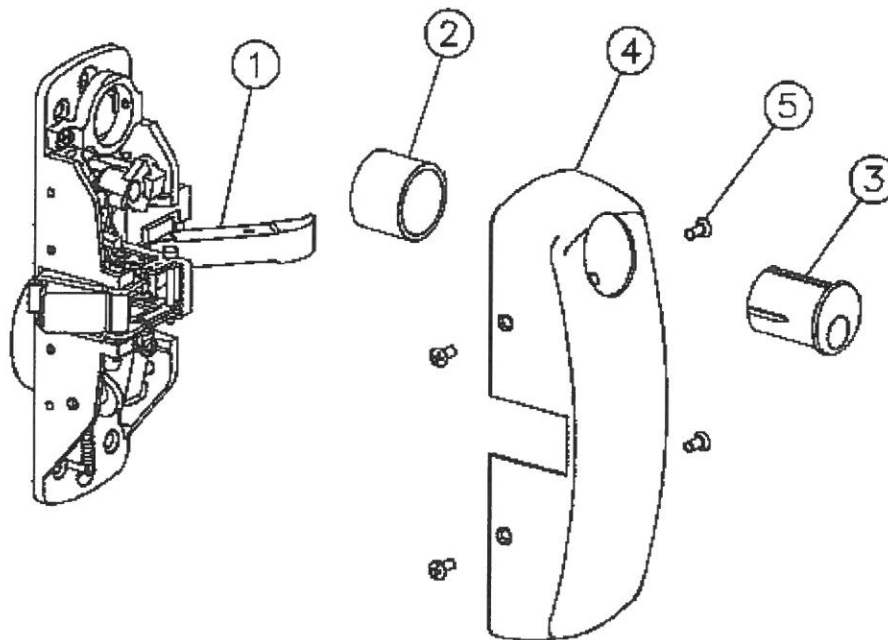
1/2/2001

CHASSIS ASSEMBLY
LESS COVER

12-AL-8800	16 FUNCTION	LHRB	68-4077
12-GL-8800		RHRB	68-4078

ITEM	ASSY NO.	PART NO.	DESCRIPTION	QTY
1		68-4077	CHASSIS (LHRB)	1
		68-4078	CHASSIS (RHRB)	
2		98-0021	BLOCKING RING *	1
3		—	CYLINDER ϕ *	1
4		68-1015	COVER (LHRB) *	1
		68-1016	COVER (RHRB) *	
5		97-0052	COVER SCREW (8-32 X 5/16)*	4
—		68-2165	SCREW PACK	1
—		649	STRIKE PACK	1

* SPECIFY FINISH
 ϕ SPECIFY #44 CYLINDER KEYING REQUIREMENTS.



series AL- AND GL- PREFIXES
 Parts List 12-8863

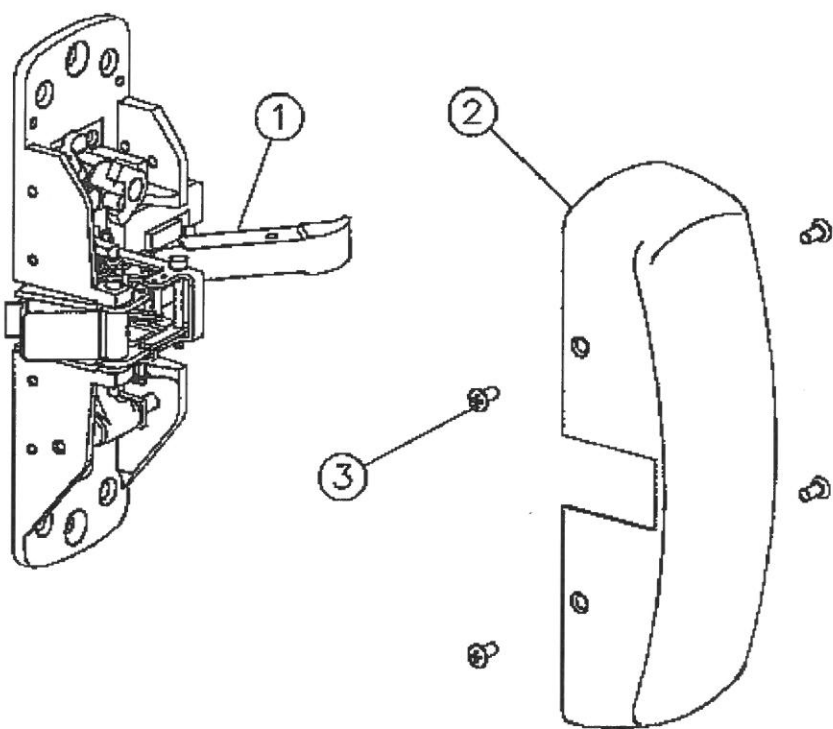
PARTS AFTER 2/5/01
 12-GL- INTRODUCED 2/5/01

Parts List
 Page No. REV.
 88.17-8 A
 1/2/2001

12-AL-8800 12-GL-8800	63 FUNCTION	LHRB RHRB	CHASSIS ASSEMBLY LESS COVER 68-4099 68-4100
--------------------------	-------------	--------------	--

ITEM	ASSY NO.	PART NO.	DESCRIPTION	QTY
1		68-4099	CHASSIS (LHRB)	1
		68-4100	CHASSIS (RHRB)	
2		68-1014	COVER *	1
3		97-0052	COVER SCREW (8-32 X 5/16)*	4
		68-2165	SCREW PACK	1
		649	STRIKE PACK	1

* SPECIFY FINISH



80 series
Parts List

AL- AND GL- PREFIXES
12-8866

PARTS AFTER 2/5/01
12-GL- INTRODUCED 2/5/01

Parts List
Page No. REV.
88.17-9 A
1/2/2001

CHASSIS ASSEMBLY
LESS COVER

12-AL-8800 12-GL-8800	66 FUNCTION	LHRB RHRB	68-4104 68-4105
--------------------------	-------------	--------------	--------------------

ITEM	ASSY NO.	PART NO.	DESCRIPTION	QTY
1		68-4104	CHASSIS (LHRB)	1
		68-4105	CHASSIS (RHRB)	
2		98-0021	CYLINDER BLOCKING RING *	1
3		68-4411	CYLINDER ϕ *	1
4		68-1015	COVER (LHRB) *	1
		68-1016	COVER (RHRB) *	
5		97-0052	COVER SCREW (8-32 X 5/16) *	4
		68-2165	SCREW PACK	1
		649	STRIKE PACK	1

* SPECIFY FINISH

ϕ SPECIFY #44 CYLINDER BY KEYING REQUIREMENTS

