

80 series  
Parts List

(12-)8904	(12-)8910
(12-)8913	(12-)8915
(12-)8928	(12-)8943
(12-)8944	(12-)8953
(12-)8970	(12-)8971
(12-)8975	(12-)8976

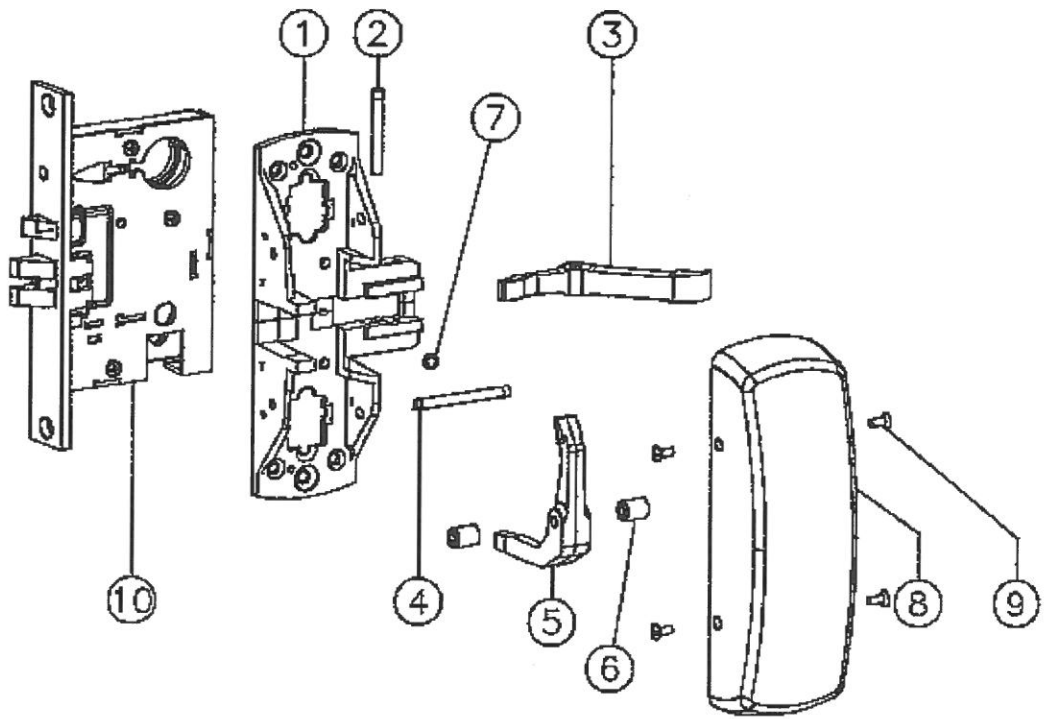
Parts List  
Page No 89.1 Rev B  
01/31/00

CHASSIS ASSEMBLY  
LESS COVER

(12-)8900	ALL FUNCTIONS EXCEPT 18 & 66	LHRB RHRB	68-2172 68-2173
-----------	---------------------------------	--------------	--------------------

ITEM	ASSY NO.	PART NO.	DESCRIPTION	QTY	
1	68-2172 LHRB	68-0339	CHASSIS	1	
2		68-0239	PIVOT PIN LIFT ARM	1	
3		68-1137	LIFT ARM	1	
4		68-0271	PIVOT PIN LIFT LEVER	1	
5		68-2173 RHRB	68-0337	LIFT LEVER LHRB	1
6			68-0338	LIFT LEVER RHRB	
7			68-0273	BUSHING	2
8			68-1294	STOP PIN	1
9			68-0407	COVER *	1
10			97-0052	SCREW #8-32 X 5/16 *	4
	SEE 900 SERIES MORTISE		MORTISE ASSEMBLY *	1	
-		68-2143	SCREW PACK STANDARD		
-		68-2165	SCREW PACK 12-		
-		68-2182	STRIKE PACK LHRB 1 3/4 (C908) *		
-		68-2183	STRIKE PACK RHRB 1 3/4 (C908) *		

\* SPECIFY FINISH



# 80 series Parts List

(12-)8916  
(12-)8966

## Parts List

Page No 89.2  
Rev C

11/11/2002

### CHASSIS ASSEMBLY LESS COVER

(12-)8900

16 & 66  
FUNCTIONS

LHRB  
RHRB

68-2213  
68-2214

ITEM	ASSY NO.	PART NO.	DESCRIPTION	QTY
2		68-0239	PIVOT PIN LIFT ARM	1
3		68-0271	PIVOT PIN LIFT LEVER	1
4		68-1137	LIFT ARM	1
5		68-0273	BUSHING	2
6		68-0337	LIFT LEVER LHRB	1
		68-0338	LIFT LEVER RHRB	
7		68-1294	STOP PIN	1
8		99-0007	CYLINDER BLOCKING RING *	1
9		13-0085	LOCKING TAIL	1
10		13-0080	CYLINDER BARREL RETAINER	1
11			CYLINDER ASSEMBLY $\phi$	1
12		13-0074	CONNECTING SCREW	2
13		68-0410	COVER LHRB *	1
		68-0411	COVER RHRB *	
14		97-0052	SCREW #8-32 X 5/16 *	4
15	900 SERIES MORTISE	916	MORTISE ASSY 16 FUNCT. * $\pm$	1
		966	MORTISE ASSY 66 FUNCT. * $\pm$	
-		68-2143	SCREW PACK STANDARD	
-		68-2165	SCREW PACK 12-	
-		68-2183	STRIKE PACK LHRB (C90B) *	
-		68-2182	STRIKE PACK RHRB (C90B) *	

\* SPECIFY FINISH

$\phi$  SPECIFY #34 CYLINDER  
BY KEYING REQUIRMENTS

$\pm$  SPECIFY HAND

