

Installation Instructions

SARGENT
ASSA ABLOY

7000 & 12-7000 Series

Concealed Vertical Rod Latch Device

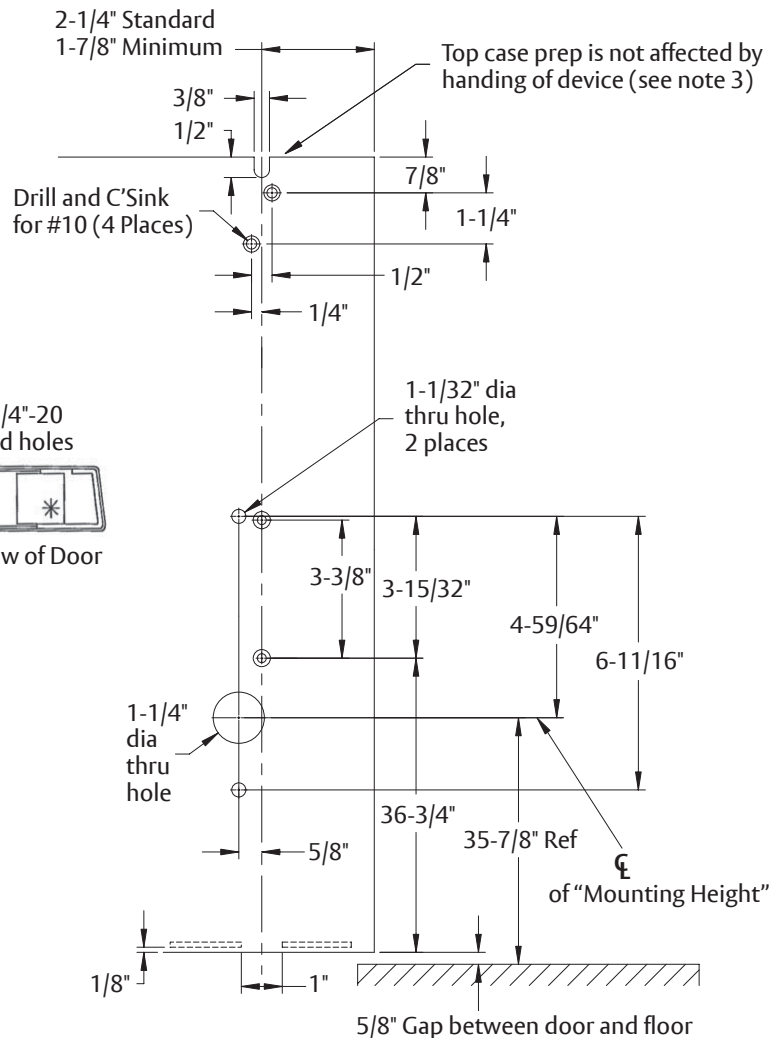
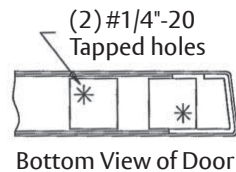
For Hollow Metal and Aluminum Doors

Note 1) Measure gap between top of door/ frame and bottom of door and floor before removing door from hinges (Ref. Steps 6 & 7).

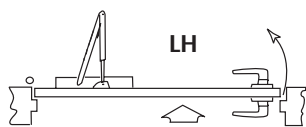
Note 2) For 100 Series Auxiliary Controls: Prep door BEFORE installing latching device. Install Aux Control AFTER installing latching device.

For 106 or 113 Aux Controls:
Template: 4212 Installation instructions: A5985

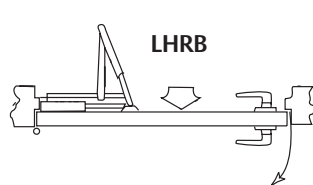
Note 3) For top case prep. Use template included in box. Align vertical centerline with notch on template.



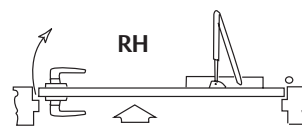
Handing



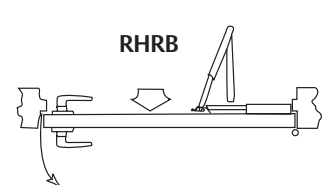
Left Hand Door



Left Hand Reverse Bevel



Right Hand Door



Right Hand Reverse Bevel

1-800-727-5477 • www.sargentlock.com

Copyright © 2007, 2013, 2018, 2024, SARGENT Manufacturing Company. All rights reserved. Reproduction in whole or in part without the express written permission of SARGENT Manufacturing Company is prohibited. Patent pending and/or patent www.assaabloydss.com/patents.
A7860 12/24 Rev 6

Experience a safer
and more open world

7000 & 12-7000 Series

Concealed Vertical Rod Latch Device

Installation Instructions

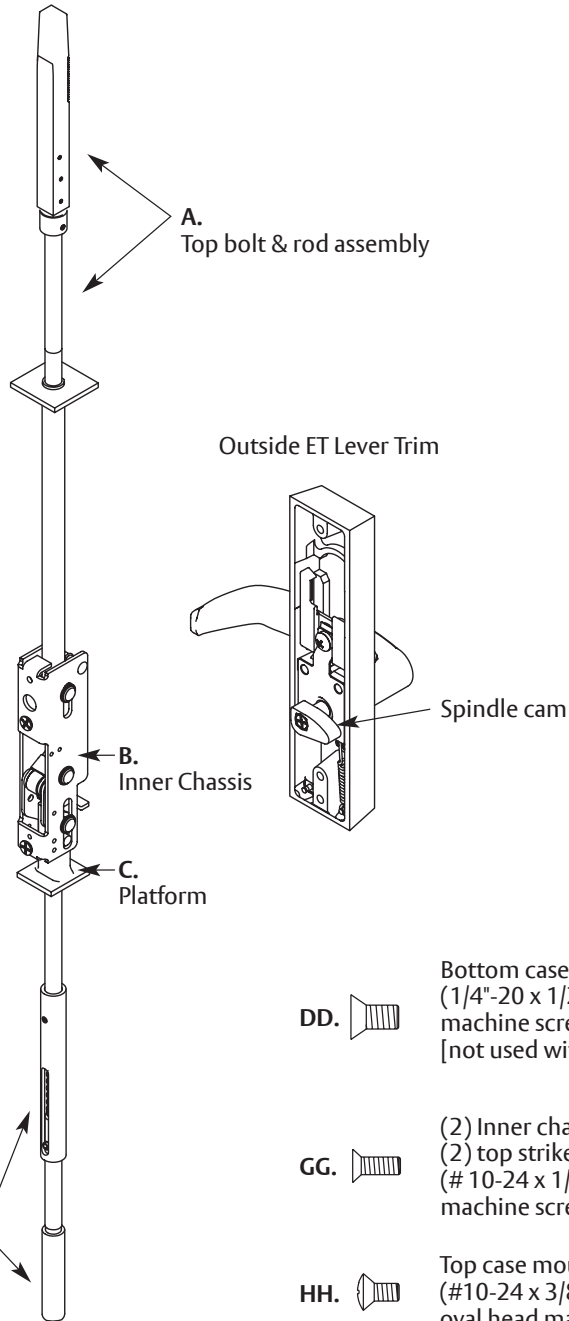
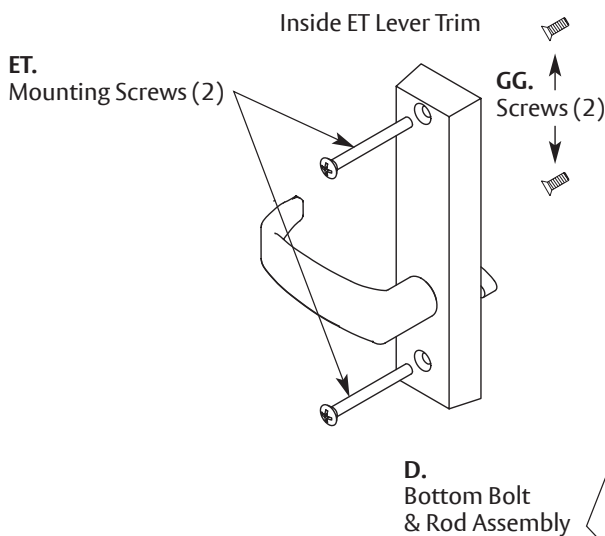
SARGENT[®]

ASSA ABLOY

1. Drill and countersink door per templates to right and below.
2. Screw top bolt & rod assembly (A) and bottom bolt & rod assembly (D) into inner chassis (B).
3. Slide complete assembly into top of door.
4. Attach inner chassis (B) to door with (2) screws (GG).
5. Attach inside and outside ET Lever trims using ET mounting screws. Insert spindle thru 1-1/4" thru hole. Spindle cams must be UNDER inner chassis platform (C).
6. Adjust TOP BOLT AND ROD assembly (A) with the inside lever rotated in a down position.

For 1/8" GAP OR LESS between top of door and door frame, rotate bolt even with top of door.


For 1/8" GAP OR GREATER between top of door and door frame, rotate bolt to gap minus 1/8" above door.





7. Adjust BOTTOM BOLT AND ROD assembly (D) with the inside lever rotated in a down position.


For 1/8" GAP OR LESS between door bottom and high point of floor, rotate bolt to make even with bottom of door.


For 1/8" GAP OR GREATER between door bottom and high point of floor, rotate bolt to gap minus 1/8" below door.

DD.  Bottom case mounting screw (1/4"-20 x 1/2" Phillips flat head machine screws, 2 pcs) [not used with nb prefix]

GG.  (2) Inner chassis screws & (2) top strike screws (#10-24 x 1/2" Phillips flat head machine screws, 4 pcs)

HH.  Top case mounting screw (#10-24 x 3/8" Phillips oval head machine screws, 2 pcs)

ET.  ET Mounting Screw (1/4"-20 x 3" Phillips oval head machine screw, 2 pcs)

 Bottom strike mounting screw (2) 1/4"-20 x 2 Phillips head machine screws and (2) anchor nuts

7000 & 12-7000 Series

Concealed Vertical Rod Latch Device

Installation Instructions

SARGENT®

ASSA ABLOY

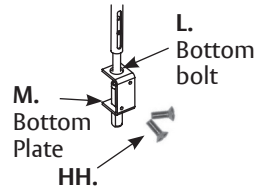
8. Slide rod silencer (G) over top bolt (F) onto rod.
- NOTE:** The teeth on the rod should face the teeth on the top case.
9. SLIDE TOP case (E) over top bolt (F). Secure with (2) screws (HH).

- 10A. **For AD-7000 bottom bolt:** Install bottom plate (M) over bottom bolt (L) and secure with (2) screws (HH) using holes (6A).

For AD-7000 Bottom Bolt

Install bottom plate (M) over the bottom bolt (L) and secure with two #10-24 x 3/8" oval head screws (DD) using holes (6A)

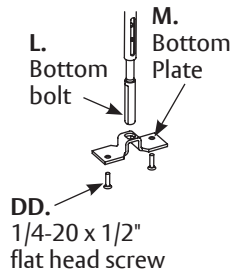
#10-24 x 3/8" Oval Head Screws



- 10B. **For MD-7000 & 12-MD-7000:** Install bottom plate (M) over bottom bolt (L) and secure with (2) screws (DD) using tapped holes (7A).

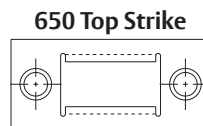
For MD-7000 & 12-MD-7000 Bottom Bolt

Install bottom plate (M) over the bottom bolt (L) and secure with two 1/4-20 x 1/2" flat head screws (DD) using tapped holes (7A)

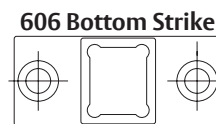


11. Install door into the frame using hinges.

12. **650 Top Strike** ATTACH 650 Top Strike to door frame, (2) #10-24 x 1/2" flat head screws (Reference template 4449).



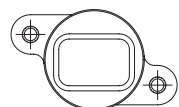
13. **606 Bottom Strike** Attach 606 Bottom Strike to floor under bottom bolt, (2) 1/4 - 20 x 2 Phillips head machine screws and (2) anchor nuts (Reference template 4449).



14. **BEFORE CLOSING DOOR** Adjust bolts per steps 6 & 7 as needed:

- a. Either lever retracts both bolts.
- b. Bolts stay retracted (hold back).
- c. Bolts release when door closes; button inside top of door hits frame.
- d. Bolts engage strikes, 1/4" - 5/16".

AD-7000 Strike Pack 640 Top and Bottom Strike

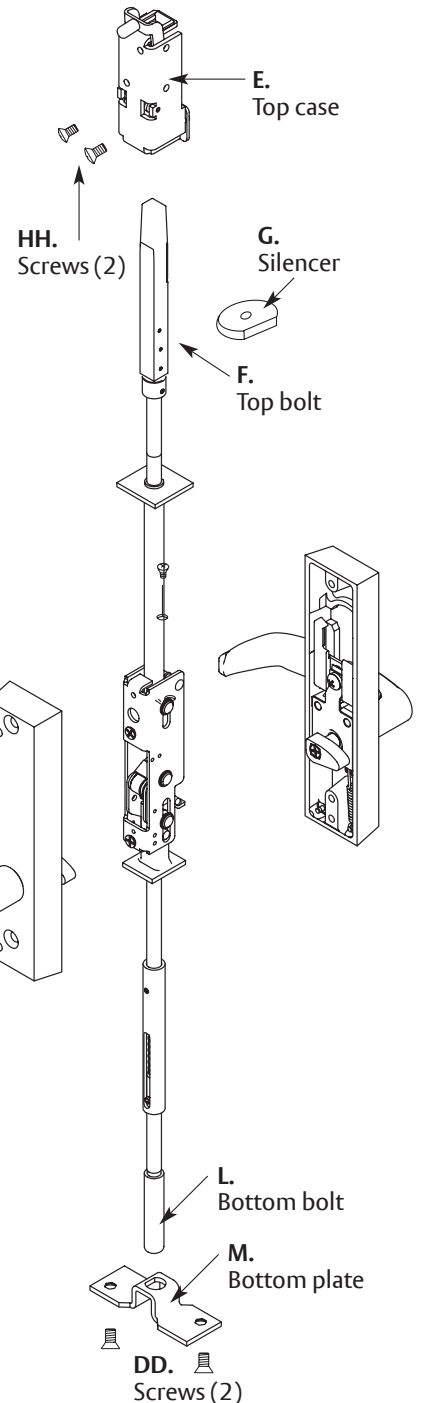


Strike (2 required)



X 1/2" Phillips Flat Head Machine Screw

(4 in pack for top and Bottom Strike)



7000 & 12-7000 Series

Concealed Vertical Rod Latch Device

SARGENT

ASSA ABLOY

Installation Instructions

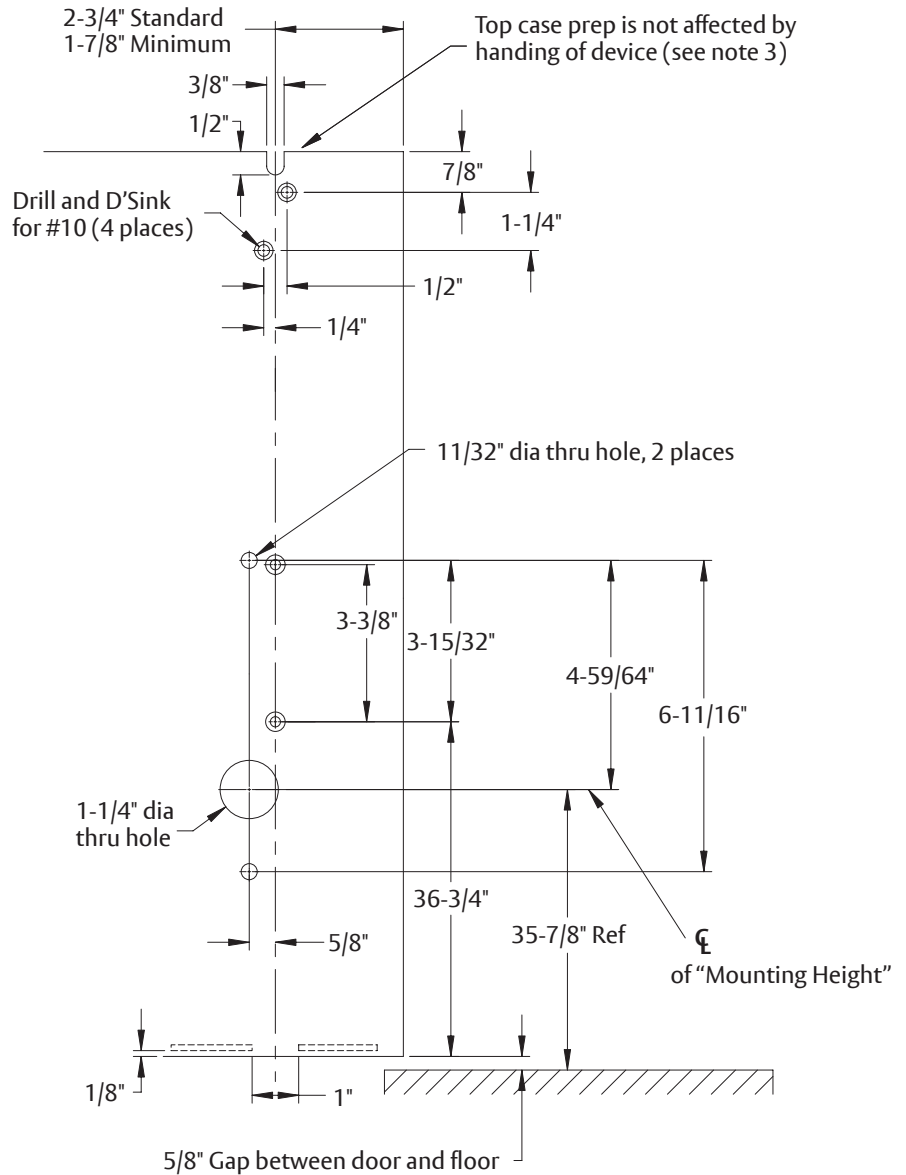
Less Bottom Rod (NB-) Installation Instructions

Note 1) Measure gap between top of door/ frame and bottom of door and floor before removing door from hinges (Ref. Steps 6 & 7).

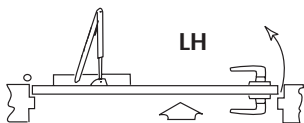
Note 2) For 100 Series Auxiliary Controls: Prep door BEFORE installing latching device. Install Aux Control AFTER installing latching device.

For 106 or 113 Aux Controls:
Template: 4212 Installation instructions:
A5985

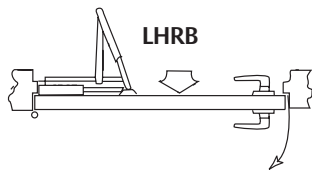
Note 3) For top case prep. Use template included in box. Align vertical centerline with notch on template.



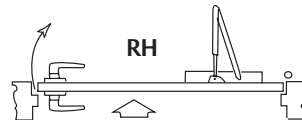
Handing



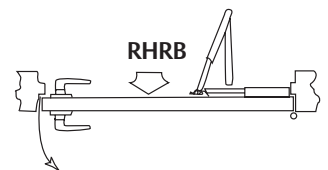
Left Hand Door



Left Hand Reverse Bevel



Right Hand Door



Right Hand Reverse Bevel

7000 & 12-7000 Series

Concealed Vertical Rod Latch Device

Installation Instructions

SARGENT[®]

ASSA ABLOY

Trim Installation Instructions

1. Drill and countersink door per template.
2. Screw top bolt & rod assembly (A) into inner chassis (B).
3. Slide complete assembly into top of door.
4. Attach inner chassis (B) to door with (2) screws (GG).
5. Through bolt inside and outside ET Lever trims using ET mounting screws. Spindle cams must be UNDER inner chassis platform (C).
6. Use Inside Trim to adjust Top Bolt and Rod assembly (A).

For 1/8" GAP OR LESS between top of door and door frame, rotate bolt even with top of door.

For 1/8" GAP OR GREATER between top of door and door frame, rotate bolt to gap minus 1/8" above door.

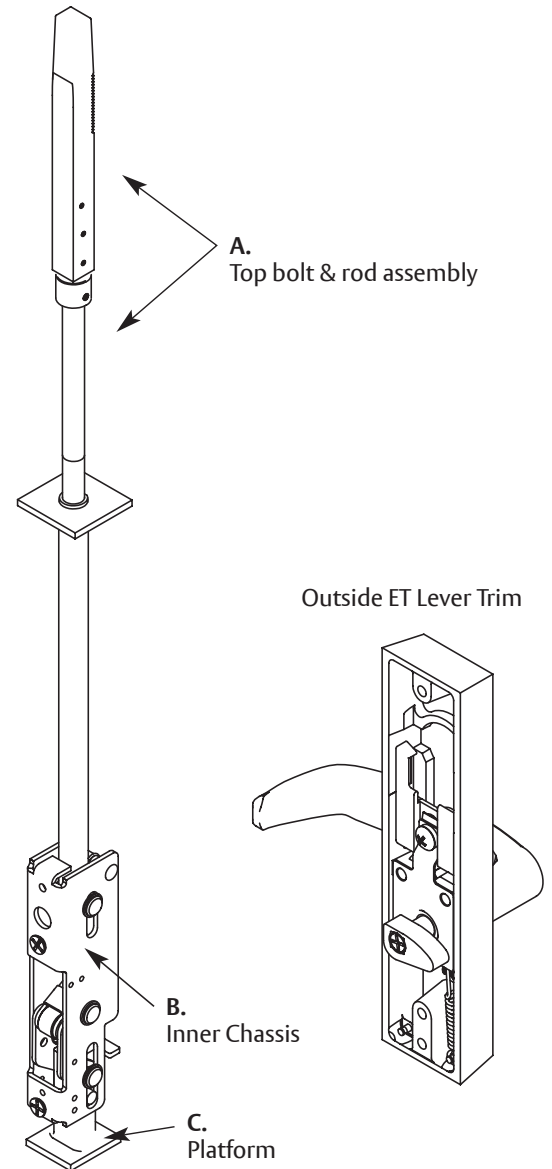
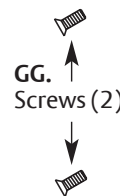
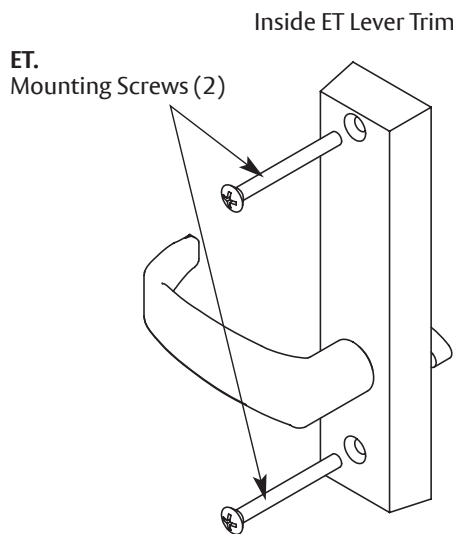
Chassis mounting screw metal door application (#10-24 x 3/4" Phillips flat head machine screws, 4 pcs)



ET Mounting Screw (1/4"-20 x 3" Phillips oval head machine screw, 2 pcs)



Top case mounting screw (#10-24 x 3/8" Phillips oval head machine screw, 2 pcs)



7000 & 12-7000 Series

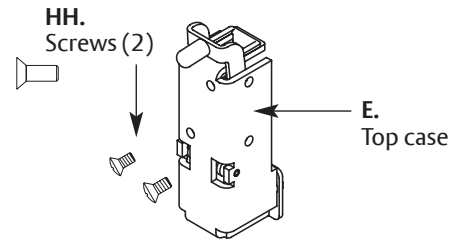
Concealed Vertical Rod Latch Device

Installation Instructions

SARGENT[®]

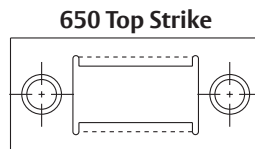
ASSA ABLOY

- Slide rod silencer (G) over top bolt (F) onto rod. Position top case (E) over top bolt (F). Secure top case (E) to door with (2) screws (HH).
- Install door in frame using hinges.



9. 650 Top Strike

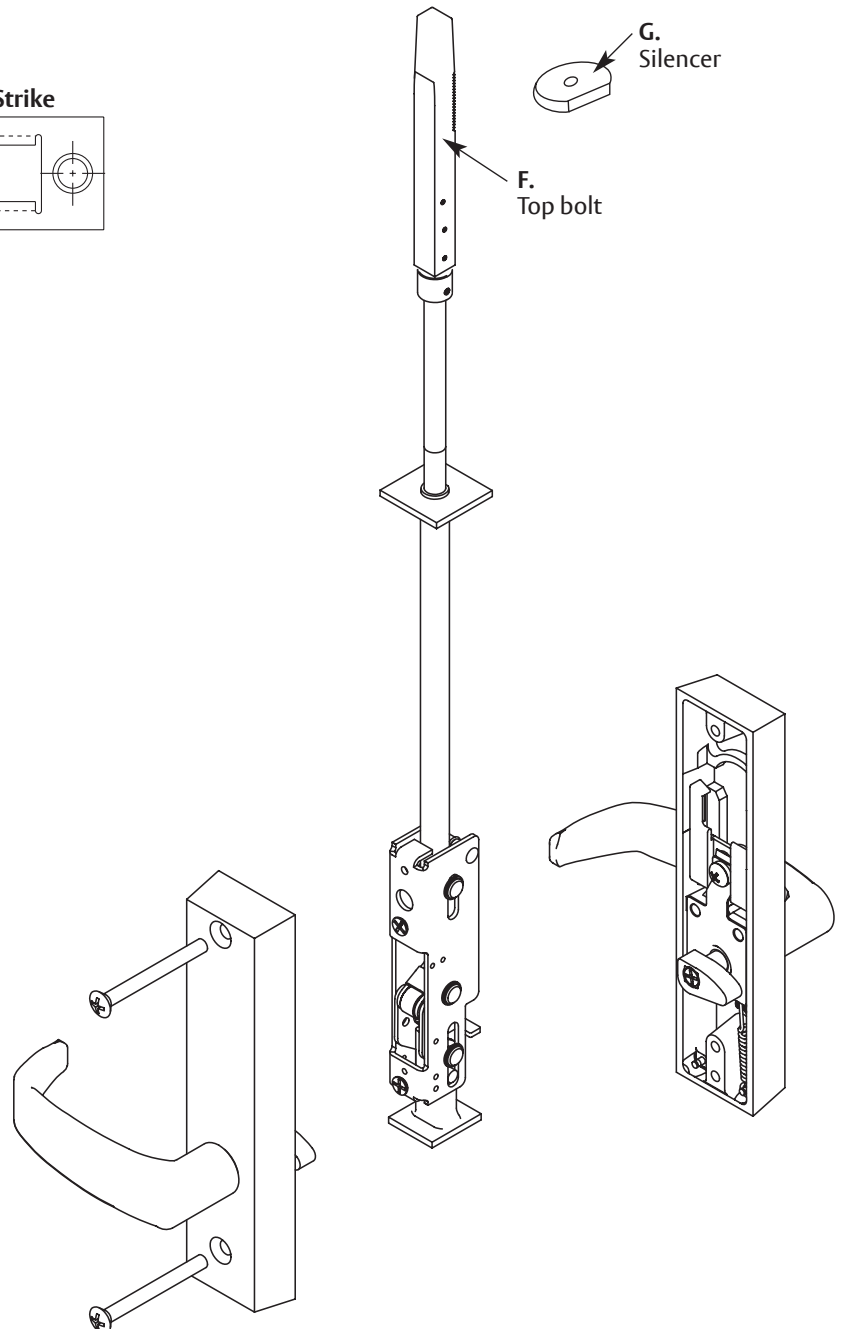
ATTACH 650 Top Strike to door frame, (2) #10-24 x 1/2" flat head screws (Reference template 4449).



10. BEFORE CLOSING DOOR

Adjust bolts per step 6 as needed:

- Either lever retracts both bolts.
- Bolts stay retracted (hold back).
- Bolts release when door closes; button inside top of door hits frame.
- Bolts engage strikes, 1/4" - 5/16".



7000 & 12-7000 Series

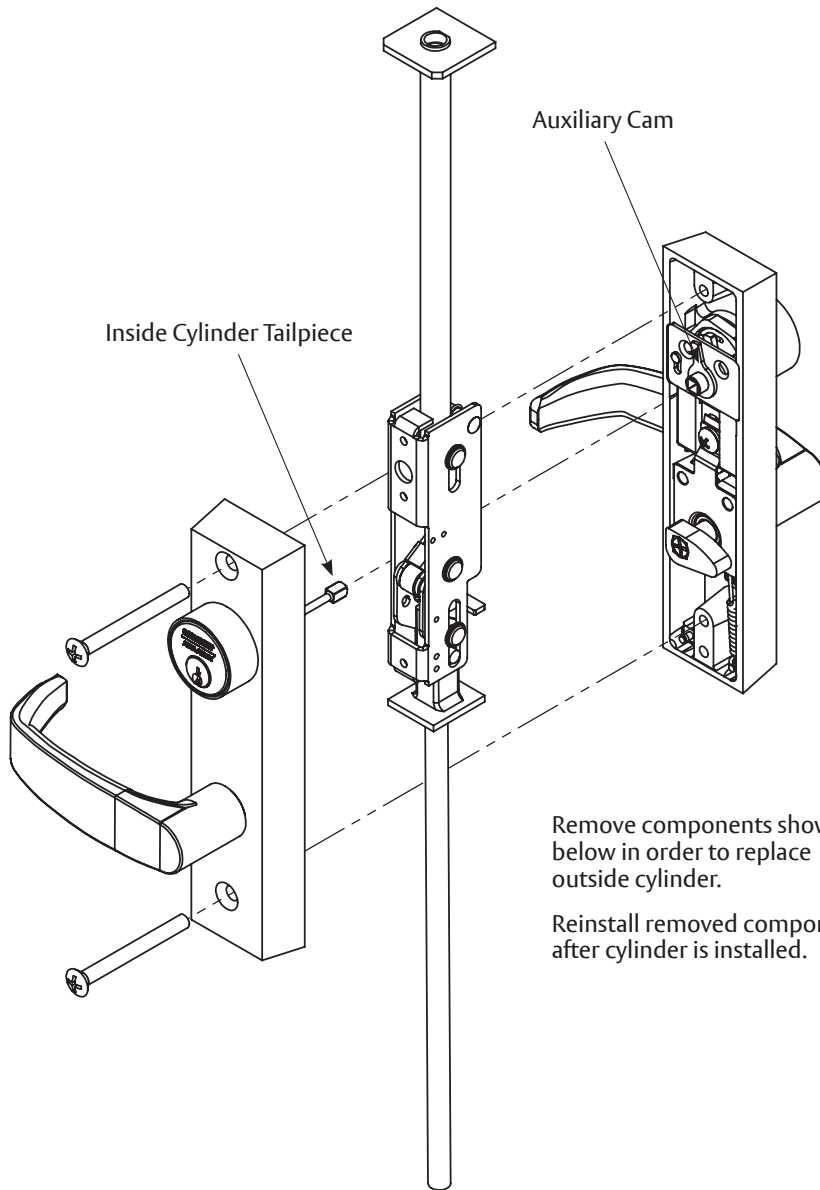
Concealed Vertical Rod Latch Device

Installation Instructions

SARGENT[®]

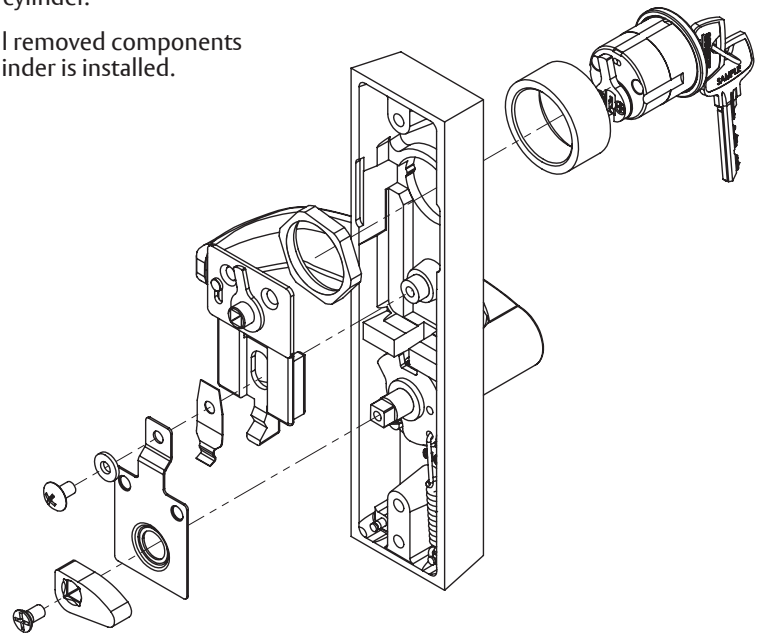
ASSA ABLOY

1. Through bolt the trim as described in Step 5 on pages 1 & 2. Ensure that the inside cylinder tailpiece engages the auxiliary cam on the outside trim.
2. Check for smooth locking and unlocking via cylinder on both sides of the door.



Remove components shown below in order to replace outside cylinder.

Reinstall removed components after cylinder is installed.



 **WARNING**

This product can expose you to lead which is known to the state of California to cause cancer and birth defects or other reproductive harm. For more information go to www.P65warnings.ca.gov.

 **WARNING**

Attention Installer: Improper installation may result in damage to the product and void the factory warranty.

1-800-727-5477 • www.sargentlock.com

Copyright © 2007, 2013, 2018, 2024, SARGENT Manufacturing Company. All rights reserved. Reproduction in whole or in part without the express written permission of SARGENT Manufacturing Company is prohibited. Patent pending and/or patent www.assaabloydss.com/patents.