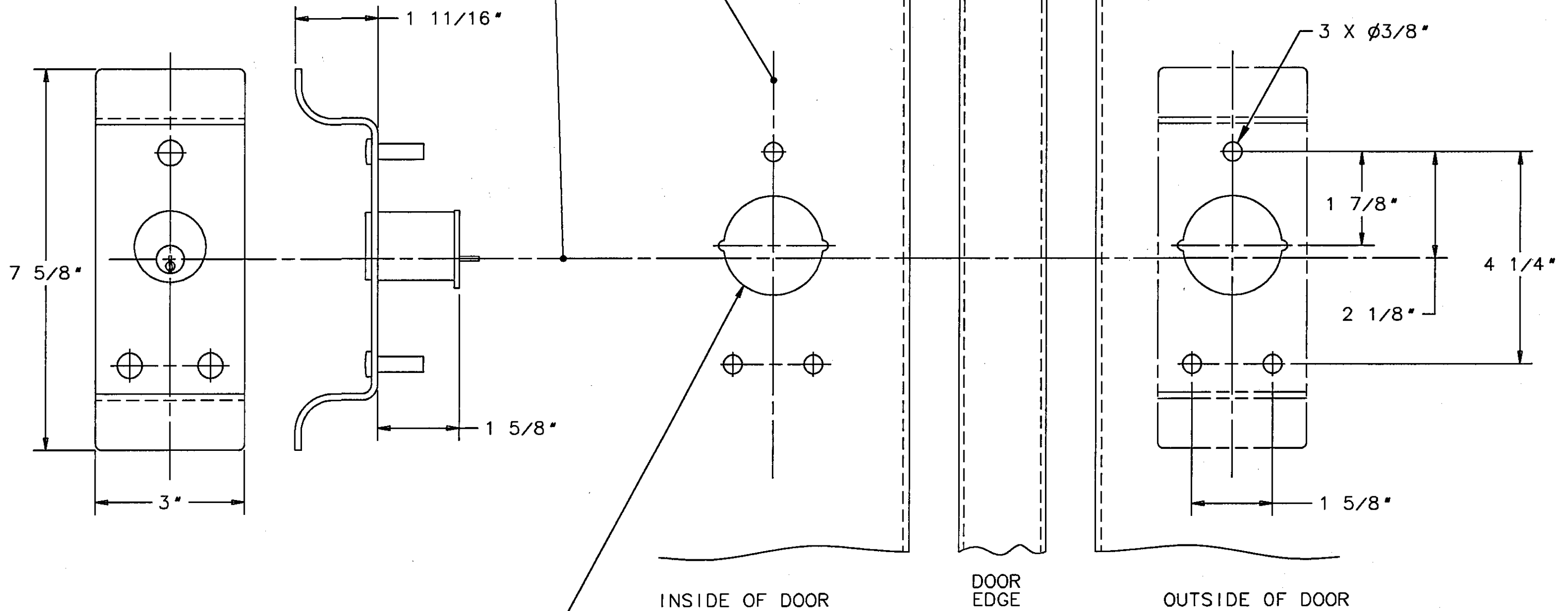


EXIT DEVICE HORIZONTAL REFERENCE CENTERLINE

VERTICAL REFERENCE LINE



A.N.S.I. DOOR PREPARATION
(161 CUT OUT), OR 2"-2 1/8" DIA.
THROUGH HOLE REQUIRED FOR
28-K-HTB TRIM ONLY

NOTE:

1. REFER TO EXIT DEVICE TEMPLATE FOR VERTICAL AND HORIZONTAL REFERENCE LINE.

SARGENT MFG. COMPANY

NEW HAVEN, CONN. 06511

TEMPLATE:
28-K-HTB OUTSIDE TRIM

EFFECTIVE DATE

4 APR 00

TEMPLT NO. 4520 A