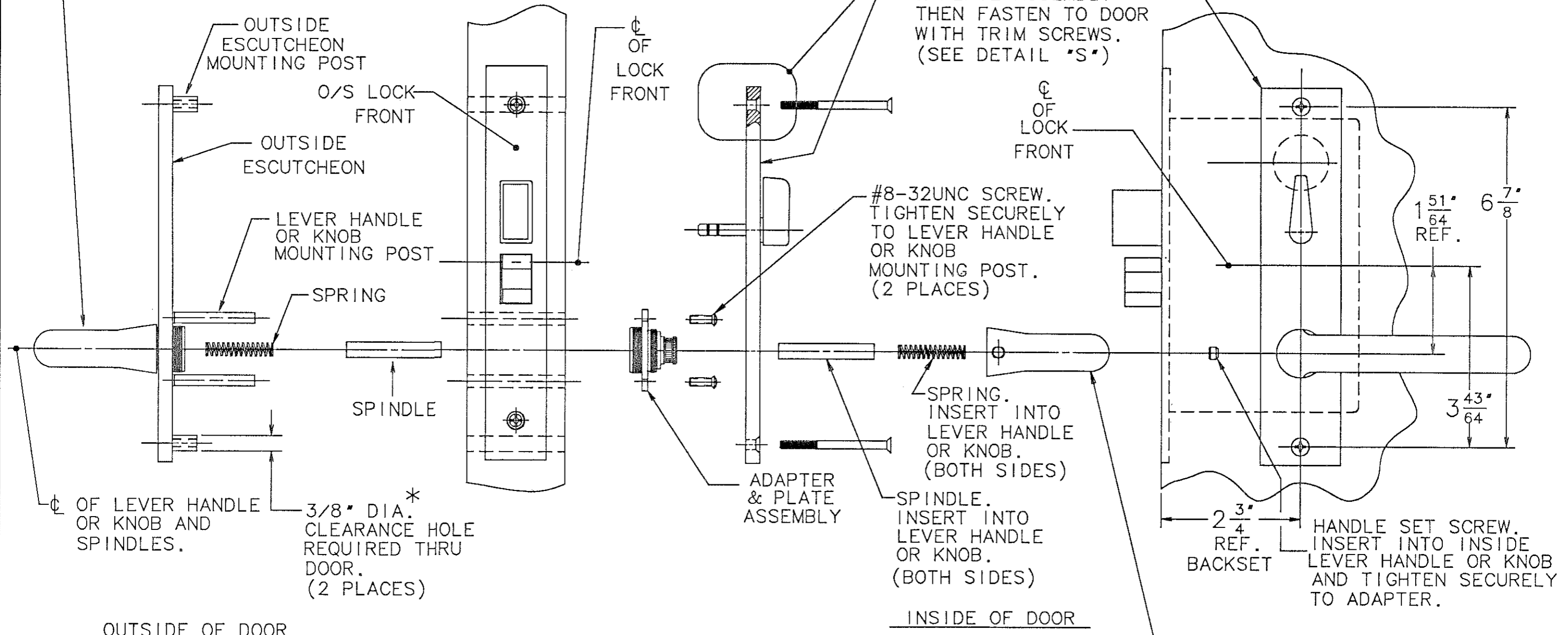
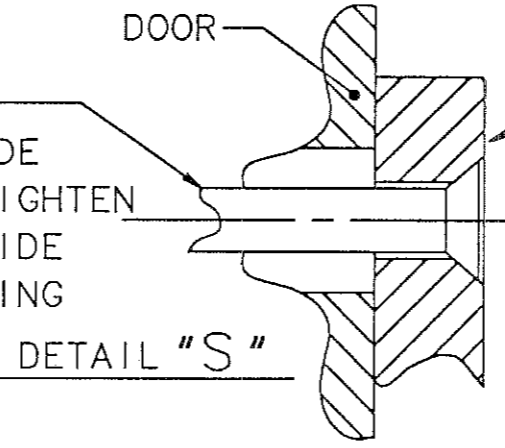


OUTSIDE LEVER HANDLE OR KNOB. INSERT MOUNTING POSTS THROUGH DOOR AND LOCK BODY ASSEMBLY THEN SECURE TO ADAPTER & PLATE ASSEMBLY USING (2) #8-32 SCREWS.



EXPOSED SCREWS TRIM SCREW. INSERT INTO INSIDE ESCUTCHEON AND TIGHTEN SECURELY TO OUTSIDE ESCUTCHEON MOUNTING POST. (2 PLACES)



- ③ FOR 9200, USED IN CONJUNCTION WITH TEMPLATE #4482 (LOCKBODY).
- ② * IMPORTANT: FOR TRIM ONE SIDE FUNCTIONS, INSIDE ESCUTCHEONS IS SURFACE APPLIED WITH (2) #8-32 COMB. SCREWS. (DO NOT APPLY TO 9200).
- ① FOR 7800/8200, USED IN CONJUNCTION WITH TEMPLATE #7057 (LOCKBODY).

SARGENT & COMPANY		NEW HAVEN, CONN. 06511	
TEMPLATE: 7800, 8200 & 9200 MORTISE LOCK LE1, LE3, LW1, CE AND TE ESCUTCHEONS KE1, KE3 & KW1 (EXPOSED SCREWS)		RELEASE DATE	25-FEB-00
		TEMPLT NO.	7052 E