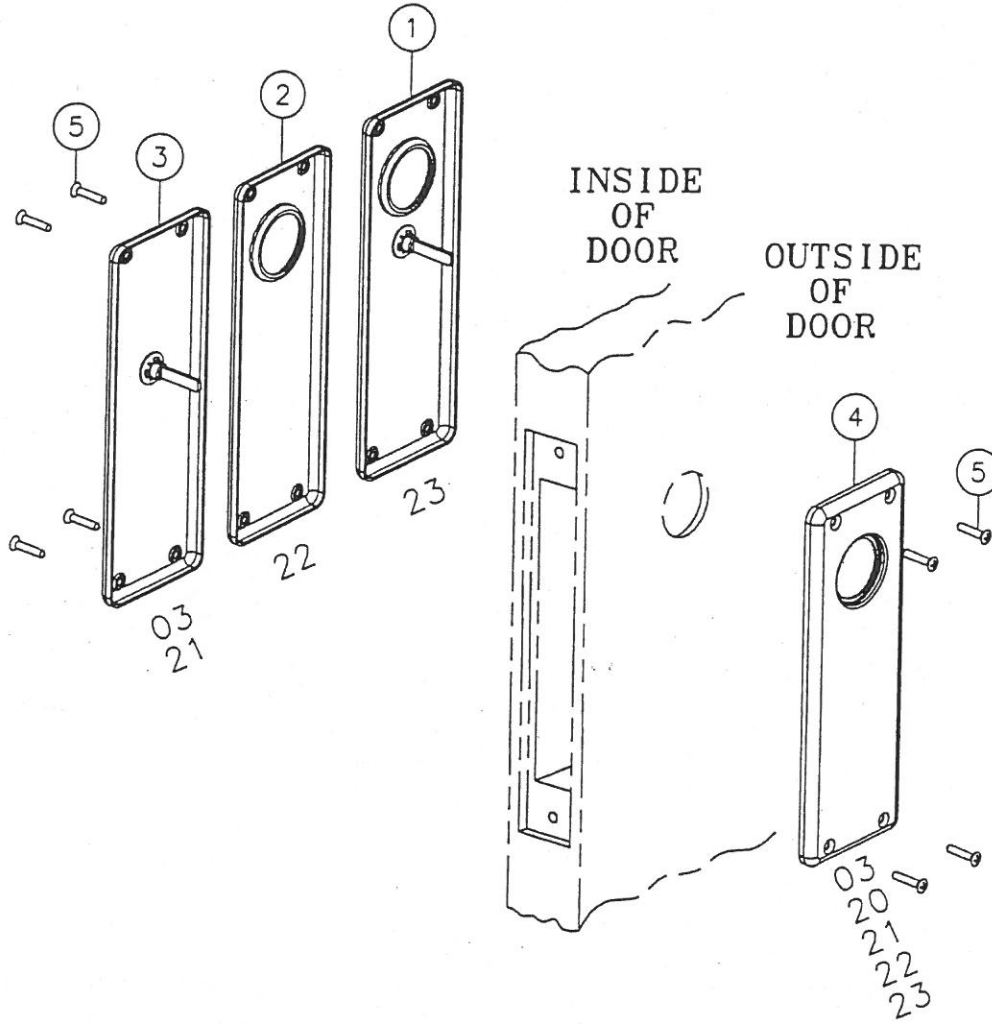


TRIM DESIGN	WT
FUNCTION	03, 20, 21, 22, 23

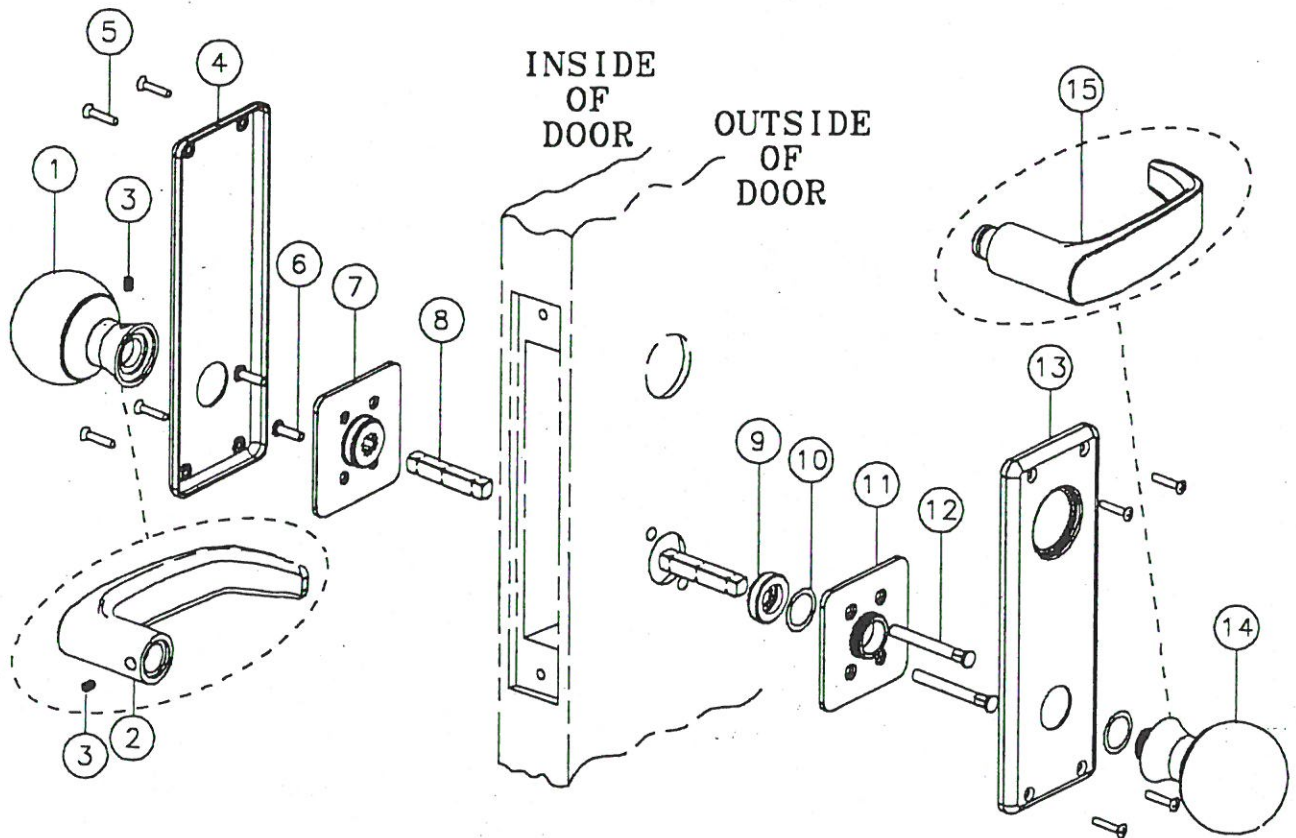
PARTS LIST
PAGE NO. 53
JANUARY 2001



	PART No	DESCRIPTION	REQ
1	81-4698	INSIDE 'WT' ESCUTCHEON	1
2	81-0651	INSIDE 'WT' ESCUTCHEON	1
3	81-4699	INSIDE 'WT' ESCUTCHEON	1
4	81-0651	OUTSIDE 'WT' ESCUTCHEON	1
5	01-3157	MACHINE SCREW #6-32 X 3/4"	8
5	01-2037	WOOD SCREW #6 X 3/4"	8

TRIM DESIGN	WT
FUNCTION	04,05,37,70,71

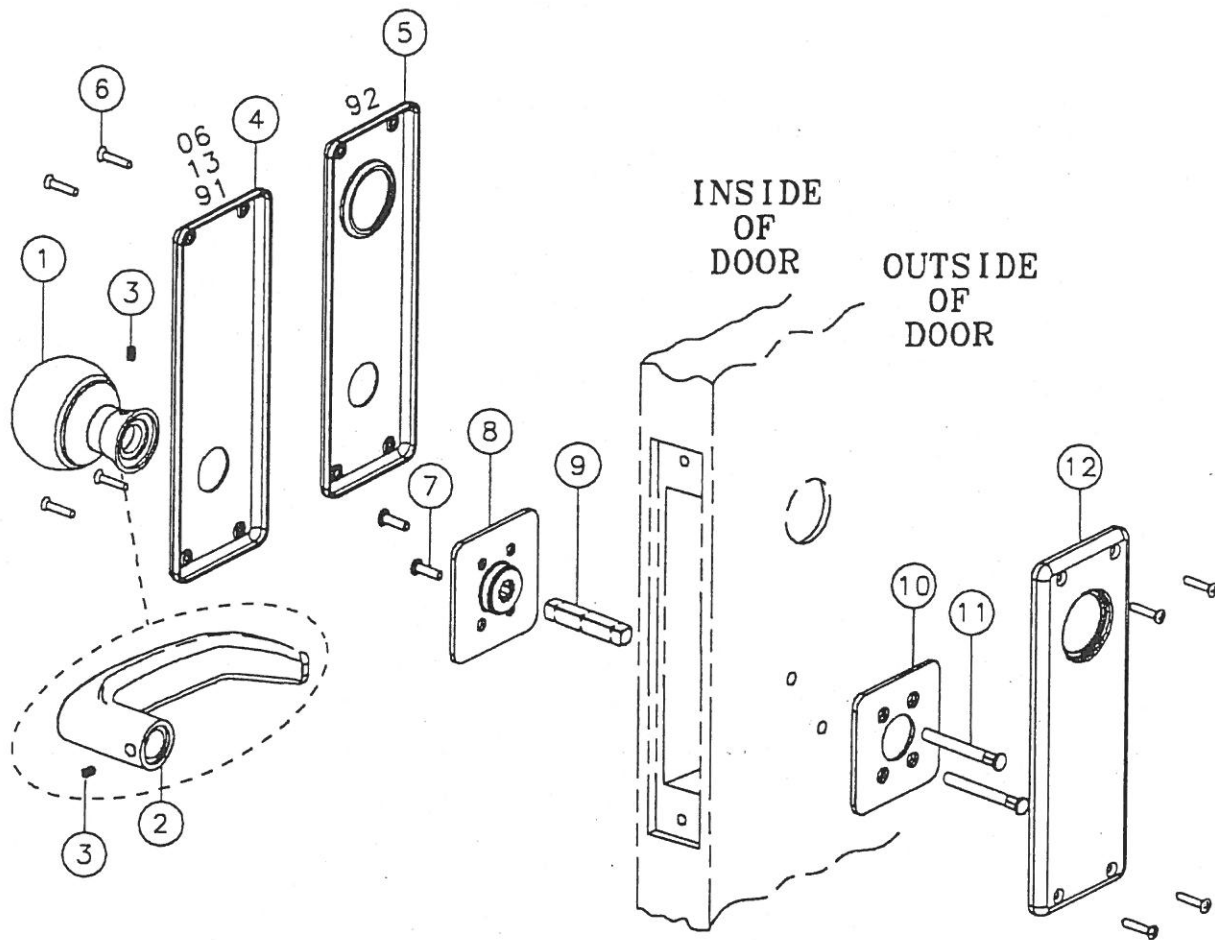
PARTS LIST
PAGE NO. 54
OCTOBER 2000



	PART No	DESCRIPTION	REQ
1	-----	INSIDE KNOB ASSEMBLY-SEE PAGE 8	1
2	-----	INSIDE LEVER - SEE PAGE 9	1
3	-----	HANDLE SET SCREW	1
4	81-0647	INSIDE 'WT' ESCUTCHEON	1
5	01-3157	MACHINE SCREW #6-32 X 3/4"	8
5	01-2037	WOOD SCREW #6 X 3/4"	8
6	01-1495	MACHINE SCREW #8-32 X 5/8"	2
7	82-3089	INSIDE ADAPTER & PLATE ASSEMBLY	1
8	82-0368	SPINDLE	2
9	82-0184	CAP NUT	1
10	01-0079	WASHER	2
11	82-3217	ADAPTER & PLATE ASSEMBLY	1
12	81-0723	MOUNTING POST	2
13	81-0648	OUTSIDE 'WT' ESCUTCHEON	1
14	-----	OUTSIDE KNOB ASSEMBLY-SEE PAGE 8	1
15	-----	OUTSIDE LEVER - SEE PAGE 10	1

TRIM DESIGN	WT
FUNCTION	06,13,91,92

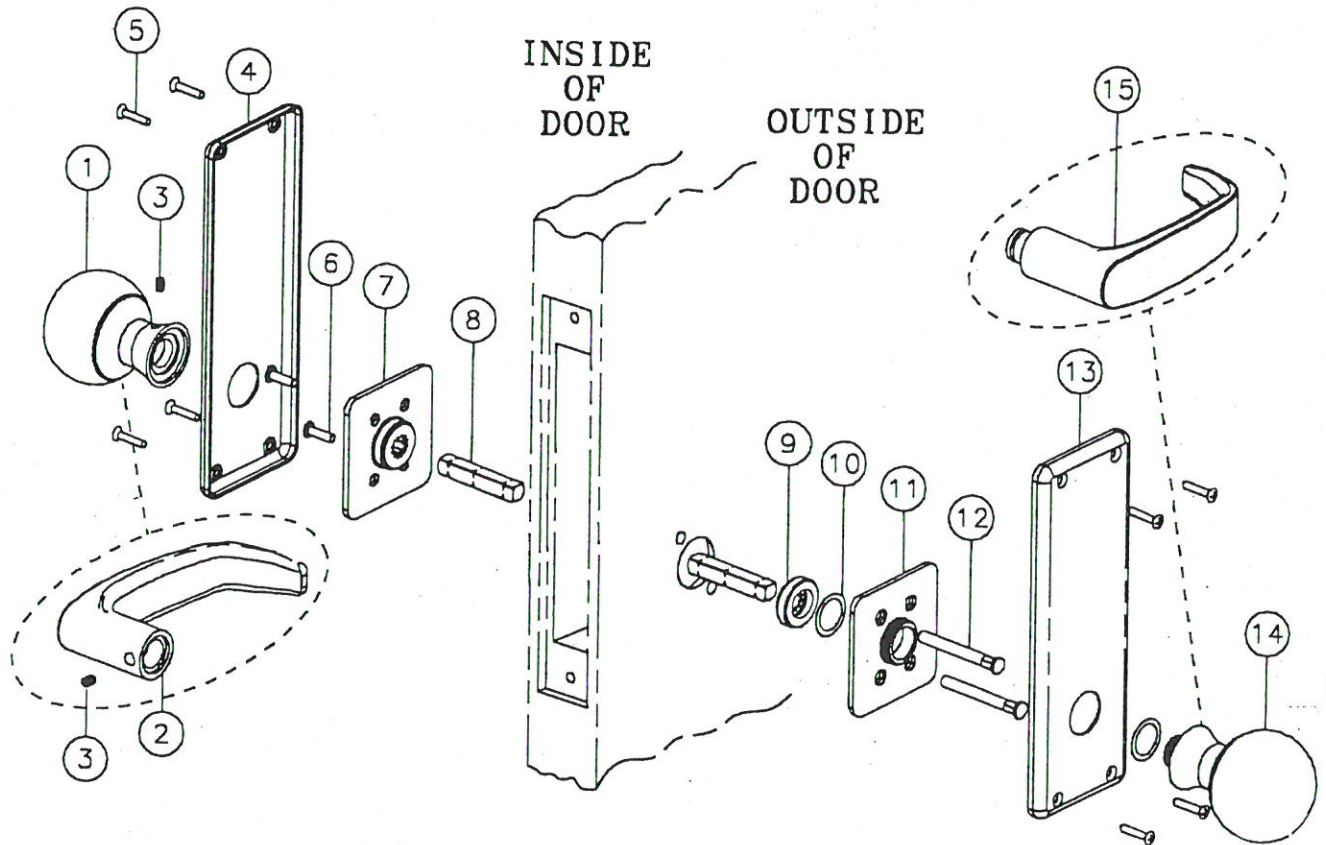
PARTS LIST
PAGE NO. 55
OCTOBER 2000



	PART No	DESCRIPTION	REQ
1	-----	INSIDE KNOB ASSEMBLY-SEE PAGE 8	1
2	-----	INSIDE LEVER - SEE PAGE 9	1
3	-----	HANDLE SET SCREW 1/4-28 UNF	1
4	81-0647	INSIDE 'WT' ESCUTCHEON	1
5	81-0648	INSIDE 'WT' ESCUTCHEON	1
6	01-3157	MACHINE SCREW #6-32 X 3/4"	8
6	01-2037	WOOD SCREW #6 X 3/4"	8
7	01-3173	MACHINE SCREW #8-32 X 3/4"	2
8	82-3089	INSIDE ADAPTER & PLATE ASSEMBLY	1
9	82-0368	SPINDLE	1
10	81-0654	MOUNTING PLATE	1
11	81-0723	MOUNTING POST	2
12	81-0651	OUTSIDE 'WT' ESCUTCHEON	1

TRIM DESIGN	WT
FUNCTION	15

PARTS LIST
PAGE NO. 56
OCTOBER 2000

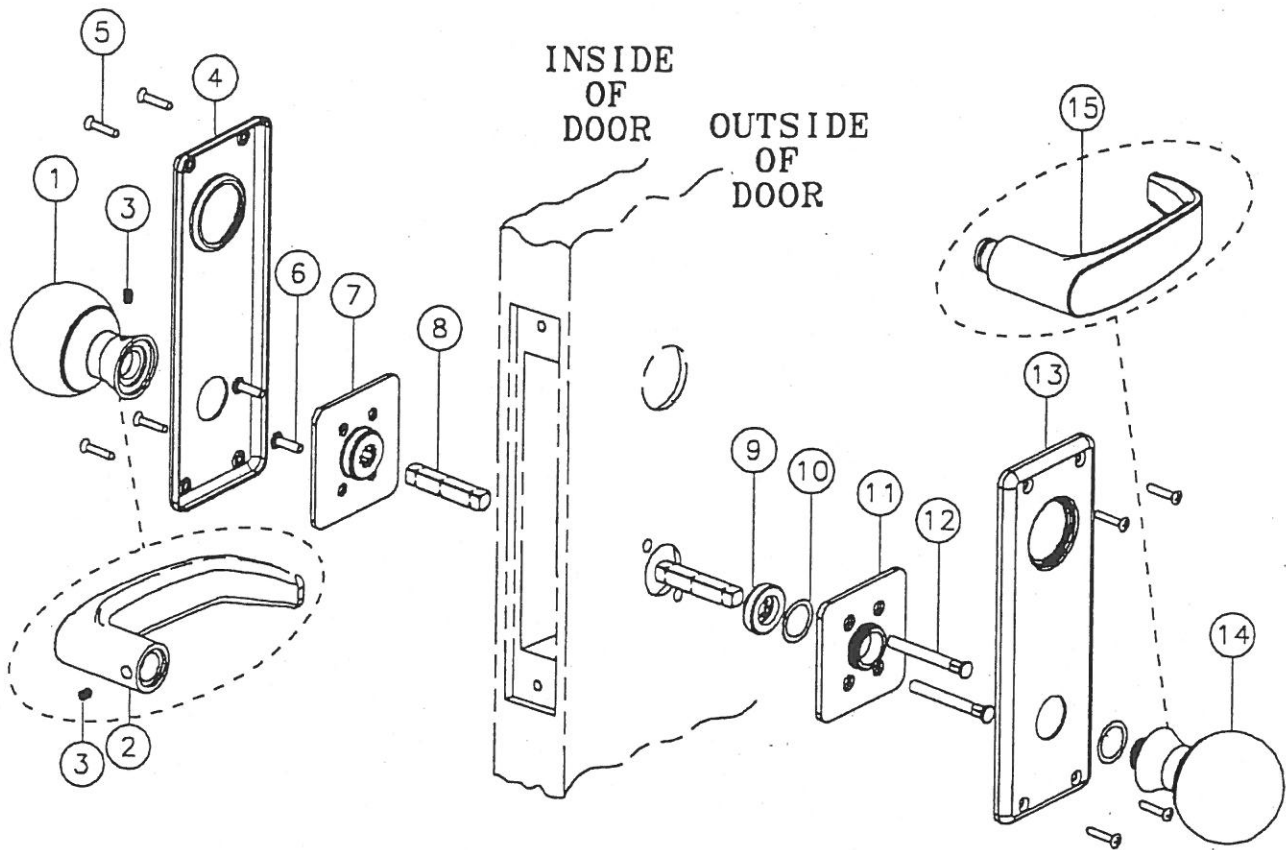


	PART No	DESCRIPTION	REQ
1	-----	INSIDE KNOB ASSEMBLY-SEE PAGE 8	1
2	-----	INSIDE LEVER - SEE PAGE 9	1
3	-----	HANDLE SET SCREW 1/4-28 UNF	1
4	81-0647	INSIDE 'WT' ESCUTCHEON	1
5	01-3157	MACHINE SCREW #6-32 X 3/4"	8
5	01-2037	WOOD SCREW #6 X 3/4"	8
6	01-1495	MACHINE SCREW #8-32 X 5/8"	2
7	82-3089	INSIDE ADAPTER & PLATE ASSEMBLY	1
8	82-0368	SPINDLE	2
9	82-0184	CAP NUT	1
10	01-0079	WASHER	2
11	82-3217	ADAPTER & PLATE ASSEMBLY	1
12	81-0723	MOUNTING POST	2
13	81-0647	OUTSIDE 'WT' ESCUTCHEON	1
14	-----	OUTSIDE KNOB ASSEMBLY-SEE PAGE 8	1
15	-----	OUTSIDE LEVER - SEE PAGE 10	1



TRIM DESIGN	WT
FUNCTION	16,17,26,38,39,40,41,72,73

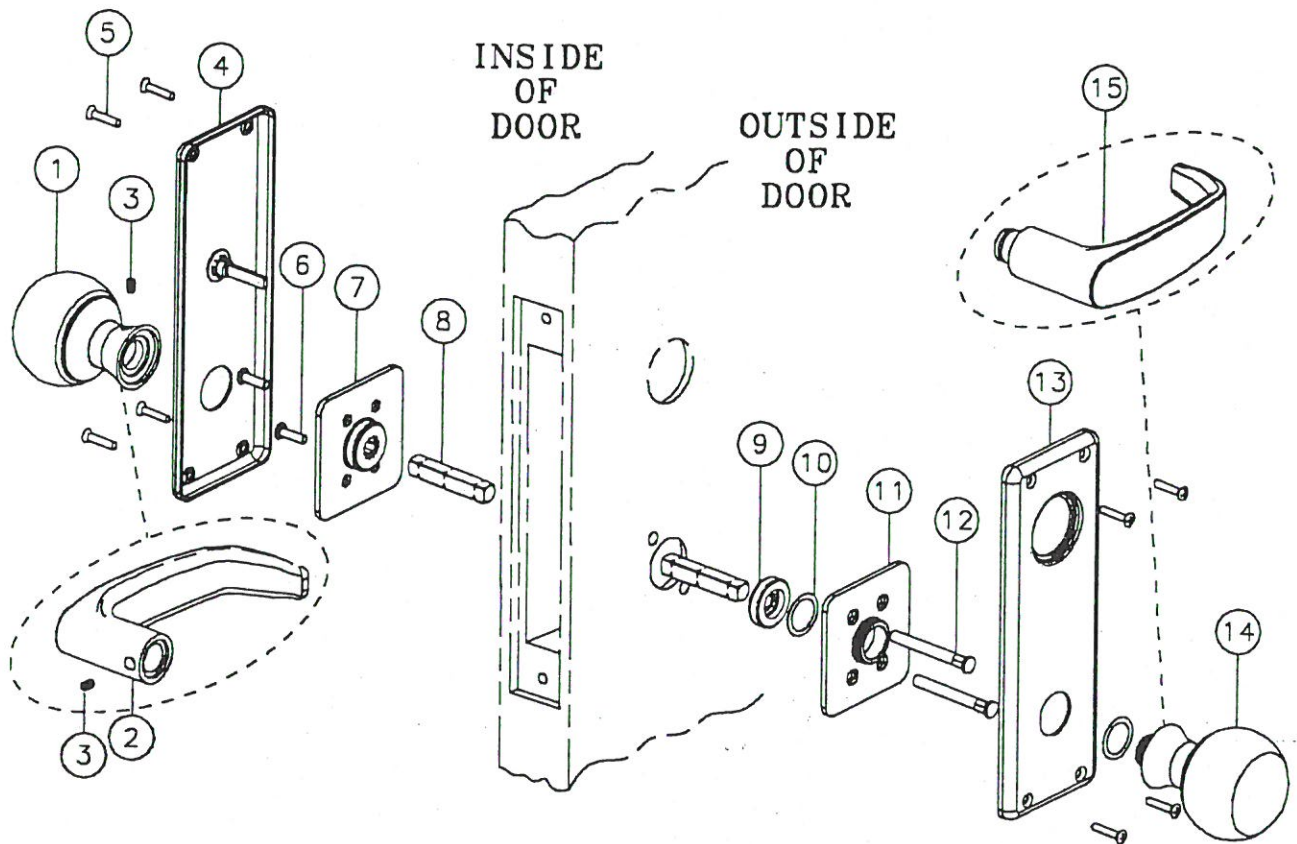
PARTS LIST
PAGE NO. 57
OCTOBER 2000



	PART No	DESCRIPTION	REQ
1	-----	INSIDE KNOB ASSEMBLY-SEE PAGE 8	1
2	-----	INSIDE LEVER - SEE PAGE 9	1
3	-----	HANDLE SET SCREW	1
4	81-0648	INSIDE 'WT' ESCUTCHEON	1
5	01-3157	MACHINE SCREW #6-32 X 3/4"	8
5	01-2037	WOOD SCREW #6 X 3/4"	8
6	01-1495	MACHINE SCREW #8-32 X 5/8"	2
7	82-3089	INSIDE ADAPTER & PLATE ASSEMBLY	1
8	82-0368	SPINDLE	2
9	82-0184	CAP NUT	1
10	01-0079	WASHER	2
11	82-3217	ADAPTER & PLATE ASSEMBLY	1
12	81-0723	MOUNTING POST	2
13	81-0648	OUTSIDE 'WT' ESCUTCHEON	1
14	-----	OUTSIDE KNOB ASSEMBLY-SEE PAGE 8	1
15	-----	OUTSIDE LEVER - SEE PAGE 10	1

TRIM DESIGN	WT
FUNCTION	24,25,43,45,50

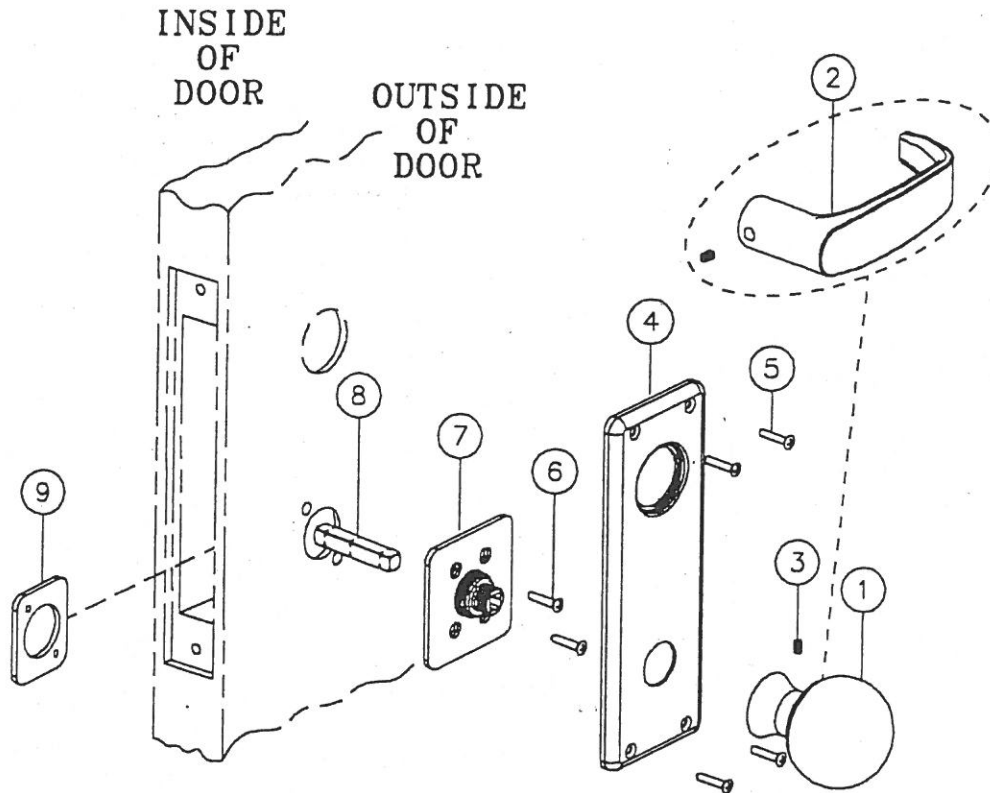
PARTS LIST
PAGE NO. 58
OCTOBER 2000



	PART No	DESCRIPTION	REQ
1	-----	INSIDE KNOB ASSEMBLY-SEE PAGE 8	1
2	-----	INSIDE LEVER - SEE PAGE 9	1
3	-----	HANDLE SET SCREW	1
4	81-4594	INSIDE 'WT' ESCUTCHEON	1
5	01-3157	MACHINE SCREW #6-32 X 3/4"	8
5	01-2037	WOOD SCREW #6 X 3/4"	8
6	01-1495	MACHINE SCREW #8-32 X 5/8"	2
7	82-3089	INSIDE ADAPTER & PLATE ASSEMBLY	1
8	82-0368	SPINDLE	2
9	82-0184	CAP NUT	1
10	01-0079	WASHER	2
11	82-3217	ADAPTER & PLATE ASSEMBLY	1
12	81-0723	MOUNTING POST	2
13	81-0648	OUTSIDE 'WT' ESCUTCHEON	1
14	-----	OUTSIDE KNOB ASSEMBLY-SEE PAGE 8	1
15	-----	OUTSIDE LEVER - SEE PAGE 10	1

TRIM DESIGN	WT
FUNCTION	31,35,36

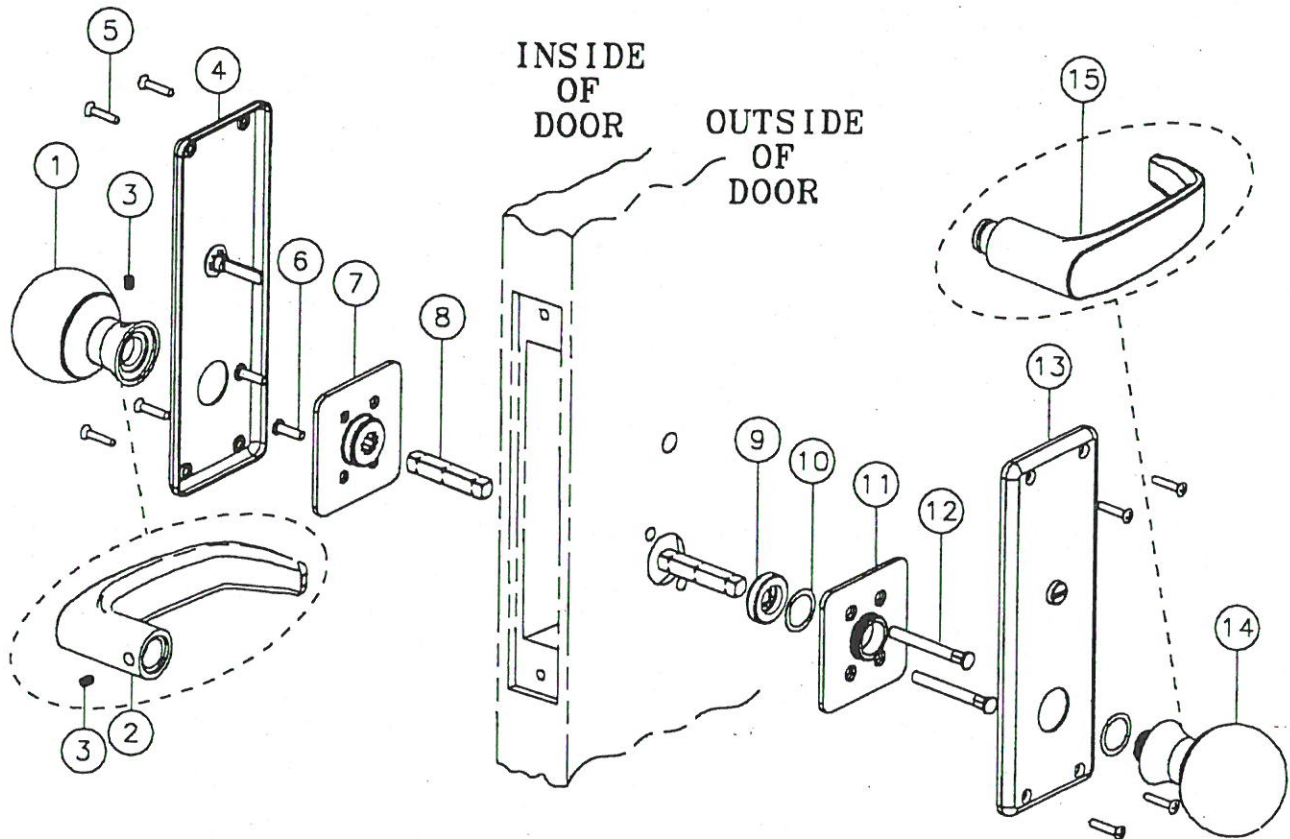
PARTS LIST
PAGE NO. 59
OCTOBER 2000



	PART No	DESCRIPTION	REQ
1	-----	INSIDE KNOB ASSEMBLY--SEE PAGE 8	1
2	-----	INSIDE LEVER - SEE PAGE 9.	1
3	-----	HANDLE SET SCREW 1/4-28 UNF	1
4	81-0648	OUTSIDE 'WT' ESCUTCHEON	1
5	01-3157	MACHINE SCREW #6-32 X 3/4"	8
5	01-2037	WOOD SCREW #6 X 3/4"	8
6	01-3173	MACHINE SCREW #8-32 X 3/4"	2
7	82-3089	INSIDE ADAPTER & PLATE ASSEMBLY	1
8	82-0368	SPINDLE	1
9	81-0655	INSIDE MOUNTING PLATE	1

TRIM DESIGN	WT
FUNCTION	65,66

PARTS LIST
PAGE NO. 80
OCTOBER 2000

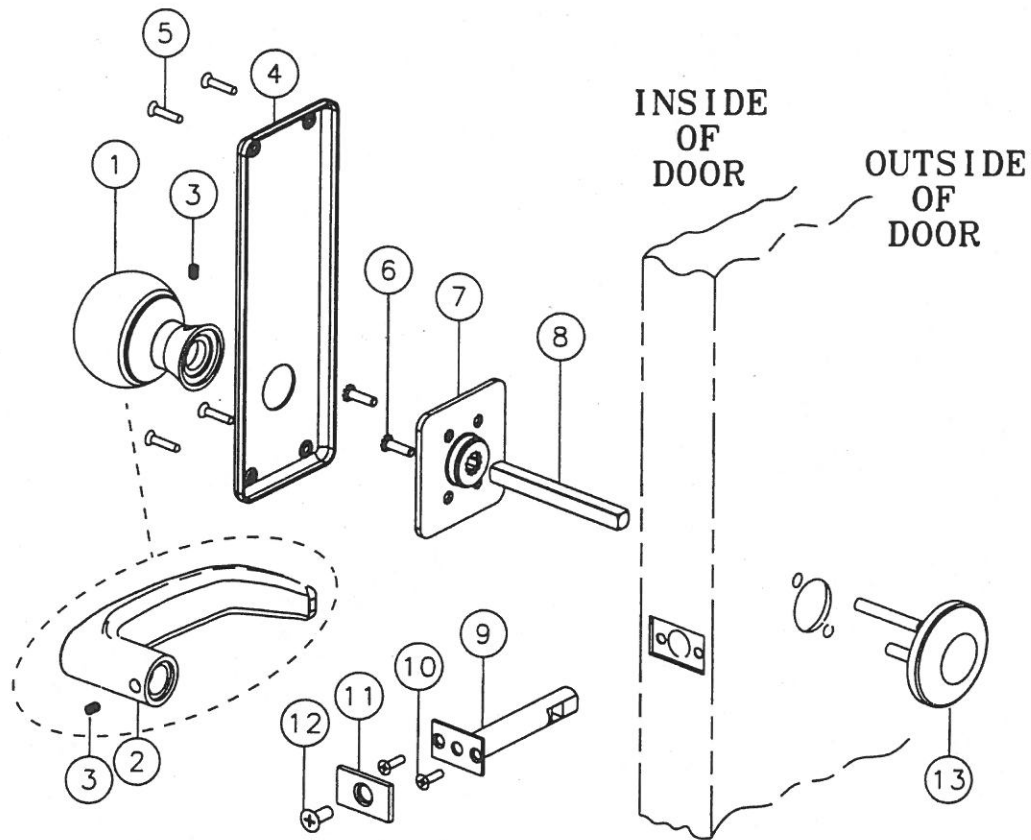


	PART No	DESCRIPTION	REQ
1	-----	INSIDE KNOB ASSEMBLY-SEE PAGE 8	1
2	-----	INSIDE LEVER - SEE PAGE 9	1
3	-----	HANDLE SET SCREW 1/4-28 UNF	1
4	81-4594	INSIDE 'WT' ESCUTCHEON ASSEMBLY	1
5	01-3157	MACHINE SCREW #6-32 X 3/4"	8
5	01-2037	WOOD SCREW #6 X 3/4"	8
6	01-1495	MACHINE SCREW #8-32 X 5/8"	2
7	82-3089	INSIDE ADAPTER & PLATE ASSEMBLY	1
8	82-0368	SPINDLE	2
9	82-0184	CAP NUT	1
10	01-0079	WASHER	2
11	82-3217	ADAPTER & PLATE ASSEMBLY	1
12	81-0723	MOUNTING POST	2
13	81-4593	OUTSIDE 'WT' ESCUTCHEON ASSEMBLY	1
14	-----	OUTSIDE KNOB ASSEMBLY-SEE PAGE 8	1
15	-----	OUTSIDE LEVER - SEE PAGE 10	1



TRIM DESIGN	WT
FUNCTION	93

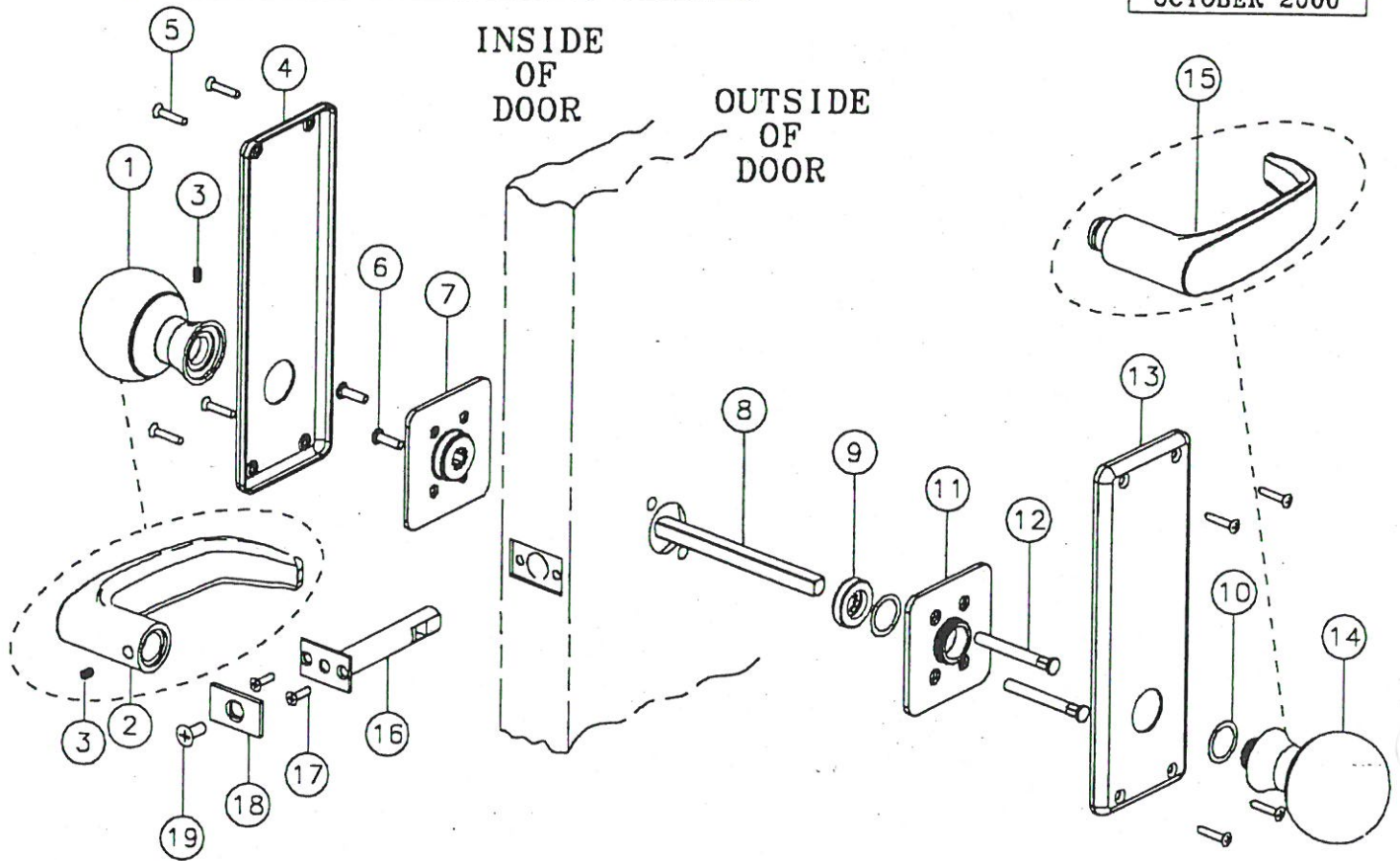
PARTS LIST	
PAGE NO. 61	
APR 03	REV. A



	PART No	DESCRIPTION	REQ
1	-----	INSIDE KNOB ASSEMBLY-SEE PAGE 8	1
2	-----	INSIDE LEVER - SEE PAGE 9	1
3	-----	HANDLE SET SCREW 1/4-28 UNF	1
4	81-0647	INSIDE 'WT' ESCUTCHEON	1
5	01-3157	MACHINE SCREW #6-32 X 3/4"	8
5	01-2037	WOOD SCREW #6 X 3/4"	8
6	01-1495	MACHINE SCREW #8-32 X 3/4"	2
7	82-3089	INSIDE ADAPTER & PLATE ASSEMBLY	1
8	82-0396	SPINDLE	1
9	82-3419	INNER PLATE & PLUG ASSEMBLY	1
10	01-2220	WOOD SCREW #6 X 3/4"	2
10	01-1020	MACHINE SCREW #6-32 X 1/2"	2
11	81-0065	OUTER PLATE	1
12	01-1019	MACHINE SCREW #12-24 X 1/2"	1
13	82-4023	THRU-BOLT PLATE ASSEMBLY	1

TRIM DESIGN	WT
FUNCTION	94

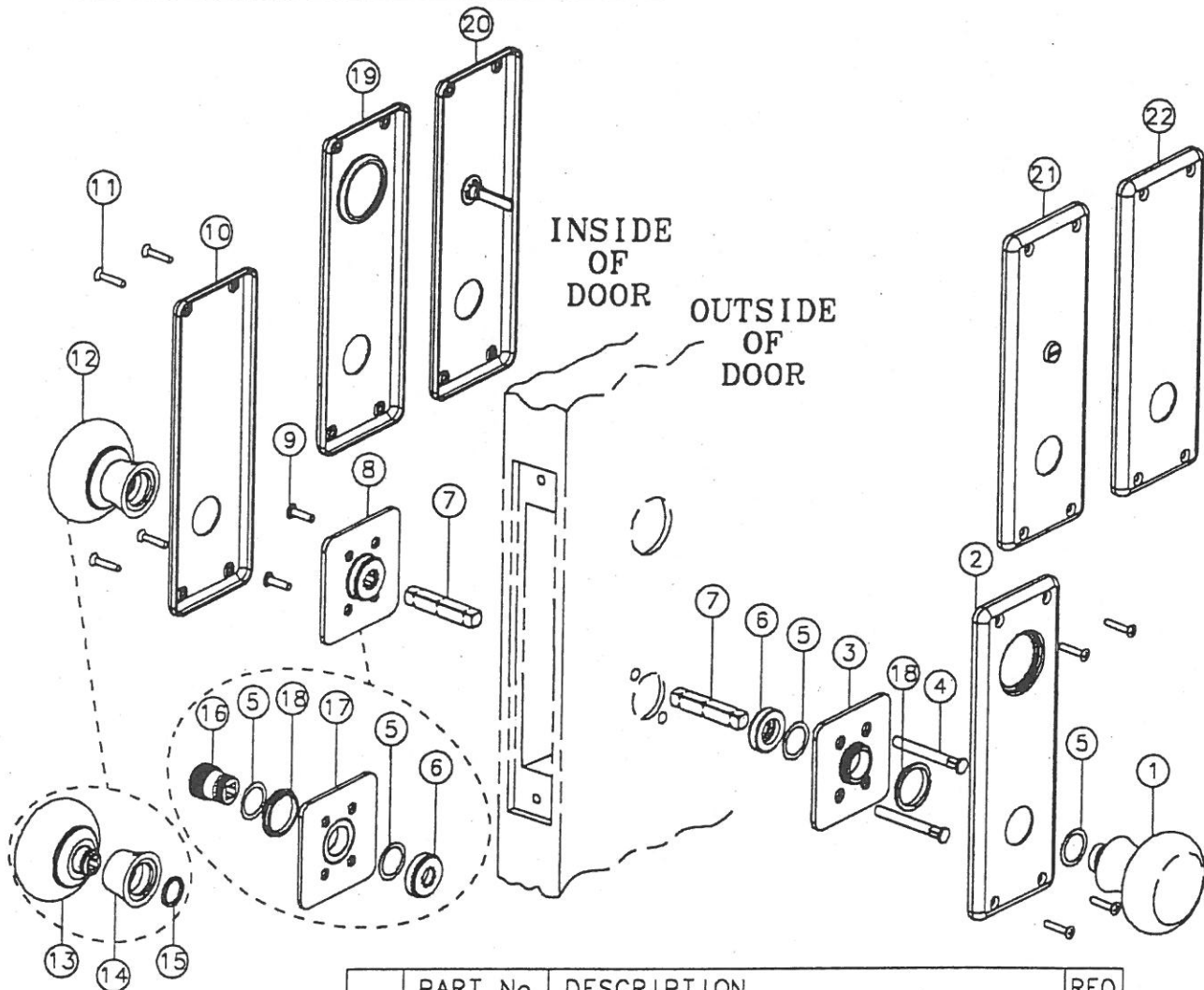
PARTS LIST
PAGE NO. 62
OCTOBER 2000



	PART No	DESCRIPTION	REQ
1	-----	INSIDE KNOB ASSEMBLY - SEE PAGE 8	1
2	-----	INSIDE LEVER - SEE PAGE 9	1
3	-----	HANDLE SET SCREW 1/4-28 UNF	1
4	81-0647	INSIDE 'WT' ESCUTCHEON	1
5	01-3157	MACHINE SCREW #6-32 X 3/4"	8
5	01-2037	WOOD SCREW #6 X 3/4"	8
6	01-1495	MACHINE SCREW #8-32 X 5/8"	2
7	82-3089	INSIDE ADAPTER & PLATE ASSEMBLY	1
8	82-0399	STRAIGHT SPINDLE	1
9	82-0184	CAP NUT	1
10	01-0079	WASHER	2
11	82-3217	ADAPTER & PLATE ASSEMBLY	1
12	81-0723	MOUNTING POST	2
13	81-0647	OUTSIDE 'WT' ESCUTCHEON	1
14	-----	OUTSIDE KNOB ASSEMBLY-SEE PAGE 8	1
15	-----	OUTSIDE LEVER - SEE PAGE 10	1
16	82-3419	INNER PLATE & PLUG ASSEMBLY	1
17	01-2220	WOOD SCREW #6 X 3/4"	2
17	01-1020	MACHINE SCREW #6-32 X 1/2"	2
18	81-0065	OUTER PLATE	1
19	01-1019	MACHINE SCREW #12-24 X 1/2"	1

TRIM DESIGN	WT w/1673 KNOB
FUNCTION	04,05,15,16,17,24,25,26,37,38,39,40 41,43,45,50,65,66,70,71,72,73,91,92

PARTS LIST
PAGE NO. 83
OCTOBER 2000



	PART No	DESCRIPTION	REQ
1	78-2756	OUTSIDE KNOB ASSEMBLY-1673	1
2	81-0648	OUTSIDE ESCUTCHEON (KNOB & CYL.)	1
3	82-3217	ADAPTER & PLATE ASSEMBLY	1
4	81-0723	MOUNTING POST	2
5	01-0079	WASHER	2
6	82-0184	CAP NUT	1
7	82-0368	SPINDLE	2
8	78-2752	INSIDE ADAPTER & PLATE ASSEMBLY	1
9	01-1495	MACHINE SCREW (#8-32X5/8 LONG)	2
10	81-0647	INSIDE ESCUTCHEON (KNOB)	1
11	82-3654	ESCUTCHEON SCREW PACK	1
12	78-2655	INSIDE KNOB ASSEMBLY-1673	1
13	78-2754	INSIDE KNOB & FLANGE ASSEMBLY	1
14	78-0039	SCREWLESS KNOB NECK	1
15	01-0029	RETAINING RING	1
16	82-0203	KNOB ADAPTER	1
17	82-3217	ADAPTER & PLATE ASSEMBLY	1
18	78-0292	WT TRIM SPACER	2
19	81-0648	INSIDE ESCUTCHEON (KNOB & CYL.)	1
20	81-4594	INSIDE ESCUTCHEON (KNOB & TURN)	1
21	81-4593	OUTSIDE ESCUTCHEON (KNOB & BUTTON)	1
22	81-0647	OUTSIDE ESCUTCHEON (KNOB)	1

