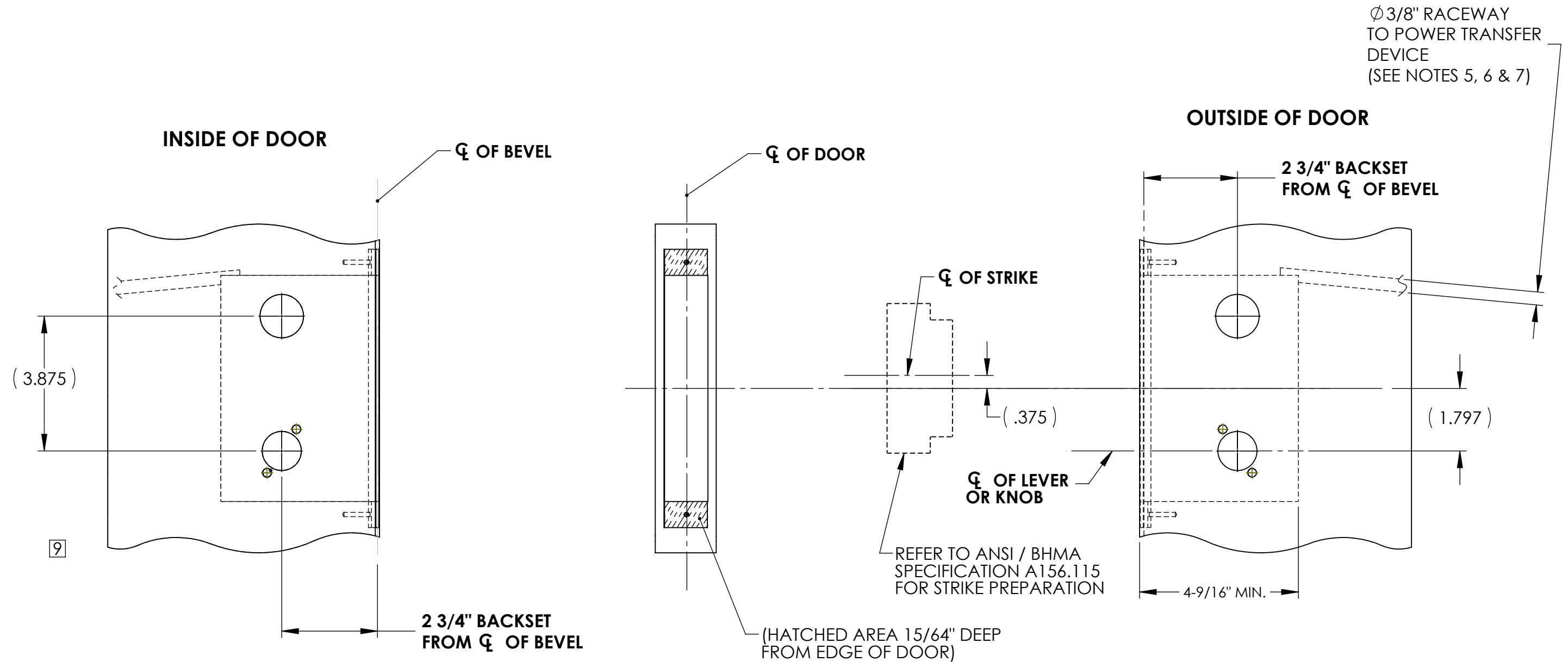


# METAL DOOR PREP



**NOTES:**

1. SEE TEMPLATE 7057 FOR HOLES AND DIMENSIONS REQUIRED FOR THE LOCK FUNCTION BEING APPLIED  
SEE APPROPRIATE TRIM TEMPLATE FOR REQUIRED HOLES AND DIMENSIONS.
2. SUITABLE REINFORCEMENT REQUIRED FOR METAL DOORS.
3. FOR WOOD DOOR SPECIFIC PREP SEE SHEET 2.
4. FOR STANDARD STRIKE TEMPLATING, SEE TEMPLATE 7063.
5. PROVIDE AREA TO BE FREE OF OBSTRUCTIONS FOR WIRE HARNESS THROUGH DOOR.
6. FOR ELECTROLYNX APPLICATIONS, REFER TO MCKINNEY TRANSFER DEVICE CATALOG.
7. CONSULT WITH POWER TRANSFER DEVICE MANUFACTURER FOR DOOR AND FRAME TEMPLATE DETAILS.
8. TOLERANCE ALL DIMENSIONS ±.015.

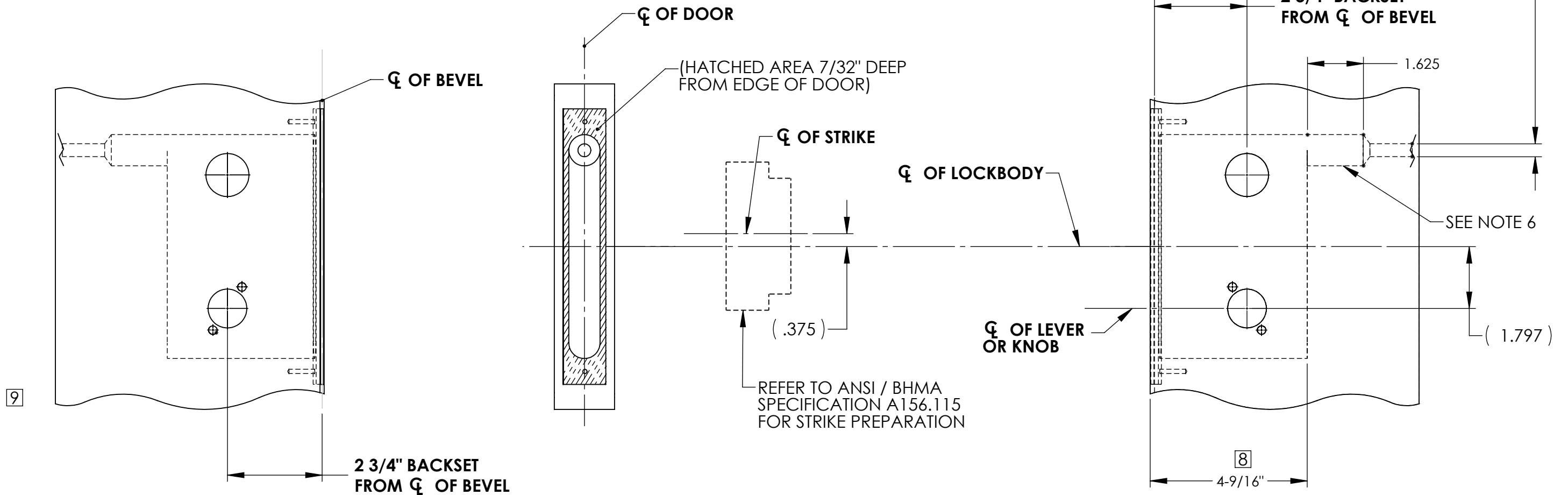
<b>SARGENT</b>	Manufacturing Company
<b>ASSA ABLOY</b>	100 Sargent Drive New Haven, CT 06511
ELECTRIFIED MORTISE LOCK DOOR TEMPLATE (FOR FUNCTIONS 70 THRU 73) & (PREFIXES: 56-, RX-, LX- & DX-) & (NAC-270/271/274/275/280/281)	RELEASE DATE <b>19-OCT-23</b>
	TEMPLATE NO. <b>SHEET 1 - 7065 10</b>

# WOOD DOOR PREP

Ø 3/8" RACEWAY  
TO POWER TRANSFER  
DEVICE  
(SEE NOTES 3, 4 & 5)

**INSIDE OF DOOR**

**OUTSIDE OF DOOR**



**NOTES:**

1. SEE TEMPLATE 7057 FOR HOLES AND DIMENSIONS REQUIRED FOR THE LOCK FUNCTION BEING APPLIED  
SEE APPROPRIATE TRIM TEMPLATE FOR REQUIRED HOLES AND DIMENSIONS.
2. FOR STANDARD STRIKE TEMPLATING, SEE TEMPLATE 7063.
3. PROVIDE AREA TO BE FREE OF OBSTRUCTIONS FOR WIRE HARNESS THROUGH DOOR.
4. FOR ELECTROLYNX APPLICATIONS, REFER TO MCKINNEY TRANSFER DEVICE CATALOG.
5. CONSULT WITH POWER TRANSFER DEVICE MANUFACTURER FOR DOOR AND FRAME TEMPLATE DETAILS.
6. OVER-DRILL Ø 1" TO A DEPTH OF 1 5/8" BEYOND BACK OF MORTISE TO CREATE POCKET FOR "QC" CONNECTORS
7. TOLERANCE ALL DIMENSIONS ±.015.

<b>SARGENT</b>	Manufacturing Company	
<b>ASSA ABLOY</b>	100 Sargent Drive New Haven, CT 06511	
ELECTRIFIED MORTISE LOCK DOOR TEMPLATE (FOR FUNCTIONS 70 THRU 73) & (PREFIXES: 56-, RX-, LX- & DX-) & (NAC-270/271/274/275/280/281)		RELEASE DATE 19-OCT-23
		TEMPLATE NO. SHEET 1 - 7065 10