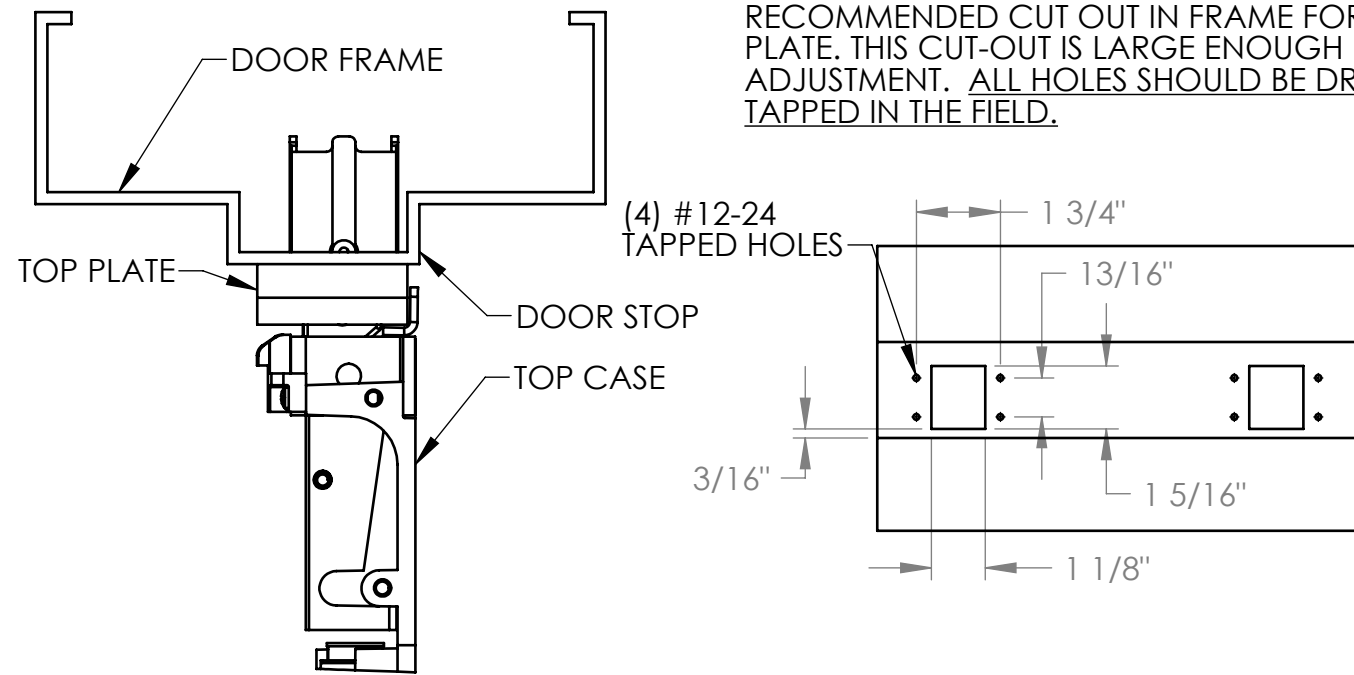
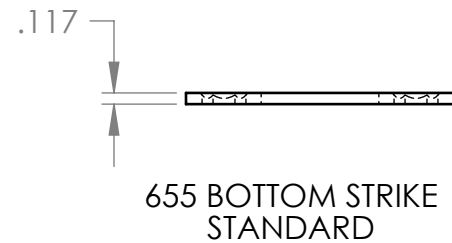
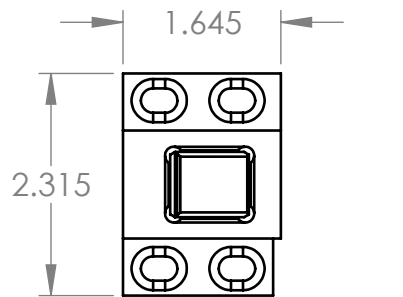
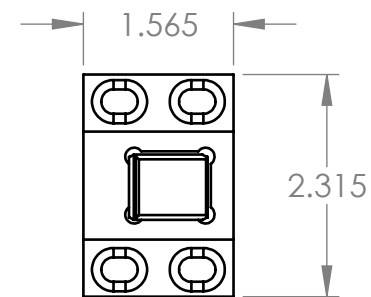
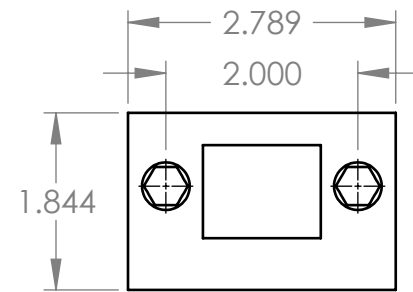
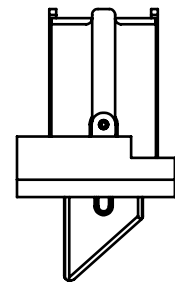
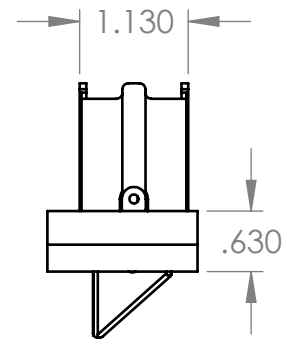


**HC8700 & HC4-8700/ 12-HC8700 & 12-HC4-8700**



RECOMMENDED CUT OUT IN FRAME FOR #654 TOP PLATE. THIS CUT-OUT IS LARGE ENOUGH FOR FUTURE ADJUSTMENT. ALL HOLES SHOULD BE DRILLED AND TAPPED IN THE FIELD.

(4) #12-24 TAPPED HOLES



655 BOTTOM STRIKE STANDARD

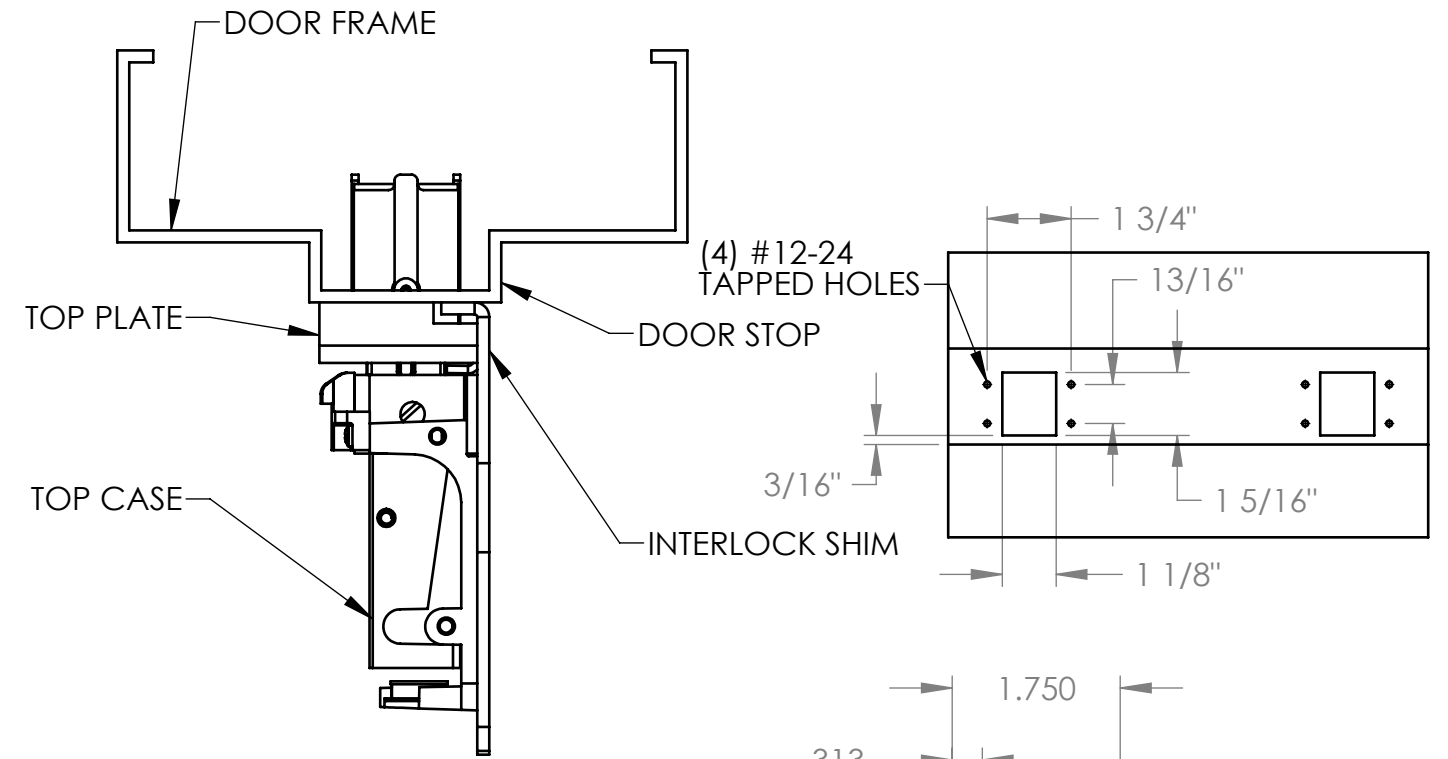
654 TOP PLATE FOR HC

659 TOP PLATE FOR HC4

**NOTES**

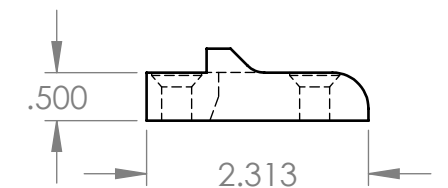
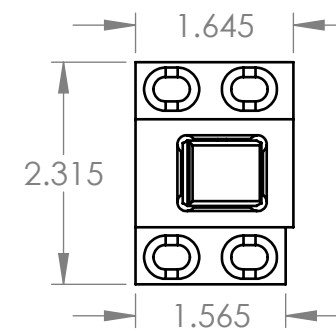
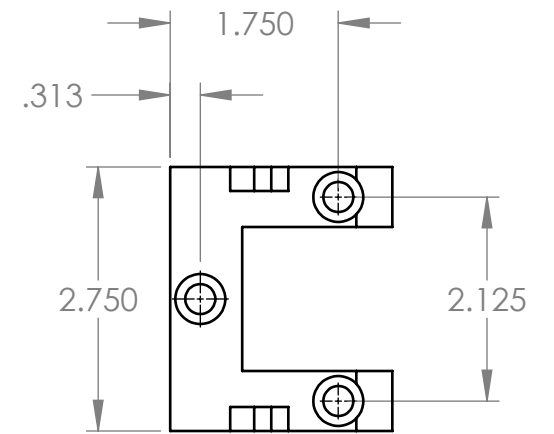
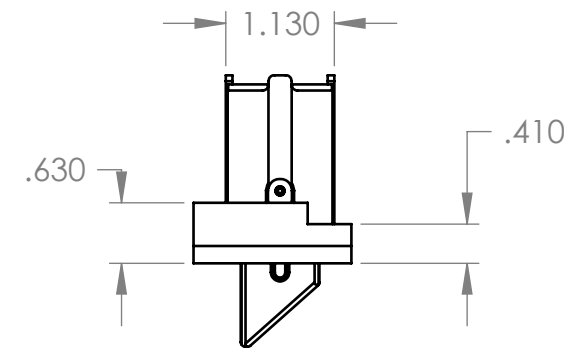
1. USE THIS DIMENSION WHEN DOOR STOPS AGAINST FRAME AS ILLUSTRATED ABOVE. IF DOOR SILENCERS (RUBBER BUMPERS) ARE USED ON THE STOP, DECREASE THIS DIMENSION ACCORDINGLY. FOR GLASS BEADED DOORS USE 1/8" OR 1/4" SHIMS UNDER THE TOP CASE AND INCREASE THIS DIMENSION ACCORDINGLY (GLASS BEAD SHIM KIT AVAILABLE ON ORDER)
2. TOLERANCE ON FRACTIONAL DIMENSIONS  $\pm 1/64$ ".
3. ALL HOLES SHOULD BE DRILLED AND TAPPED IN THE FIELD

**FM8700/12-FM8700**



(4) #12-24 TAPPED HOLES

INTERLOCK SHIM



659 TOP PLATE

653 BOTTOM STRIKE STANDARD FOR FM8700

**SARGENT**

**ASSA ABLOY**

Sargent Manufacturing Company  
100 Sargent Drive New Haven, CT 06511

TEMPLATE FOR TOP AND BOTTOM STRIKES  
(HC8700, 12-HC8700, HC4-8700, 12-HC4-8700,  
FM8700, 12-FM8700 EXIT DEVICES)

RELEASE DATE

APRIL 6, 2017

TEMPLATE NO.  
4296G