

INSTRUCTIONS FOR INSTALLING 8888, 12-8888, 8800, 12-8800, WS8800, 12-WS8800, HC-8800 and 12-HC8800 SERIES RIM EXIT DEVICES WITH ALL STANDARD TRIM

SARGENT®

ASSA ABLOY

FOR ASSISTANCE, CONTACT SARGENT AT 800-727-5477 or www.sargentlock.com

ASSA ABLOY, the global leader in door opening solutions

US PATENT No 268003 • CANADIAN PATENT No RD1981

CAUTION!

BEFORE STARTING:

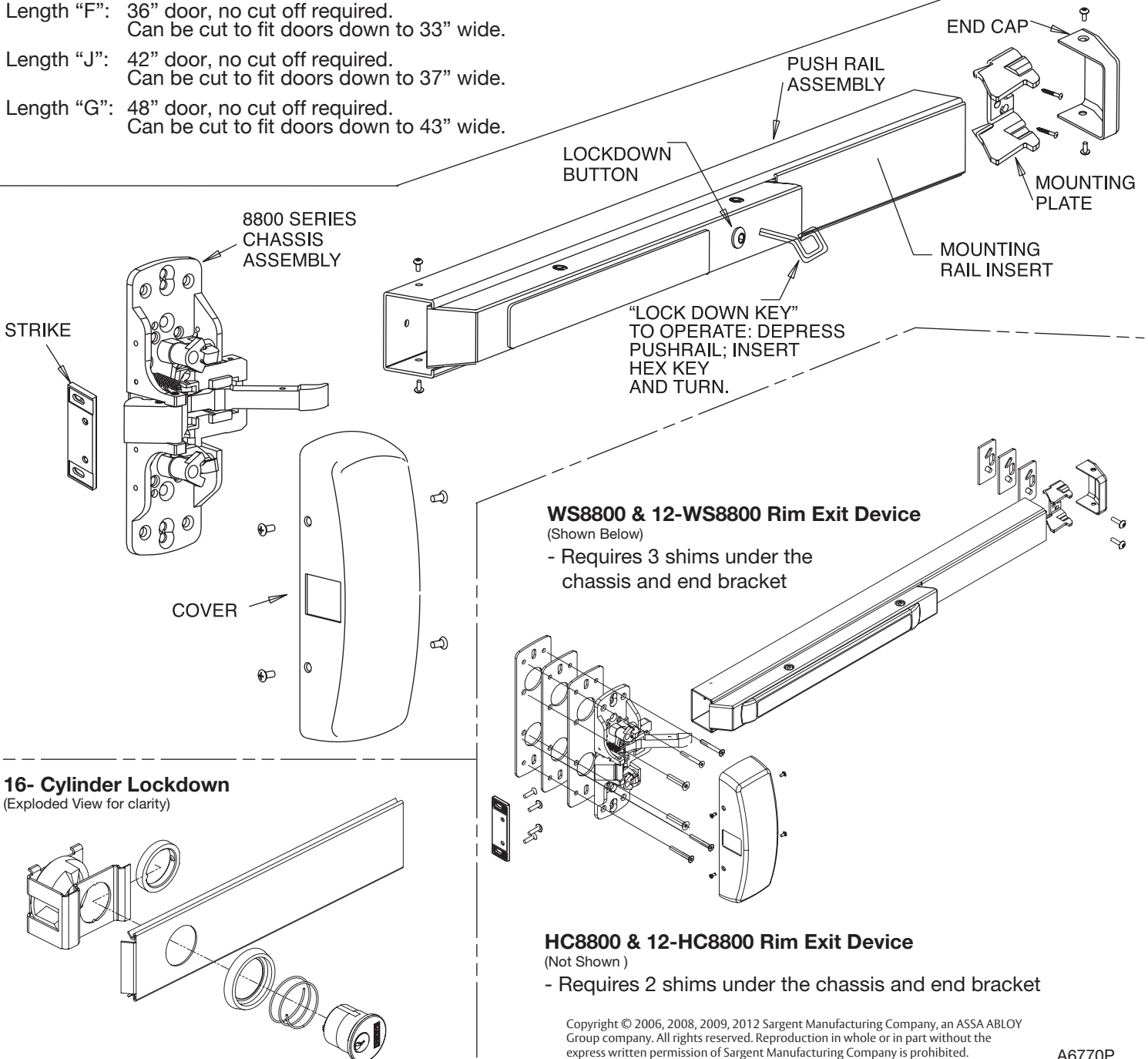
- READ INSTRUCTION SHEET CAREFULLY
- INSTALL MULLION IF USED
- DOOR SHOULD BE FITTED AND HUNG
- CHECK BOX LABEL FOR SIZE OF EXIT DEVICE

AVAILABLE STOCK LENGTHS

- Length "E": 32" door, no cut off required.
Can be cut to fit doors down to 24" wide.
- Length "F": 36" door, no cut off required.
Can be cut to fit doors down to 33" wide.
- Length "J": 42" door, no cut off required.
Can be cut to fit doors down to 37" wide.
- Length "G": 48" door, no cut off required.
Can be cut to fit doors down to 43" wide.

IMPORTANT:

- *SURFACE OF THE DOOR WHERE EXIT DEVICE IS APPLIED MUST BE FLUSH.
- CLEAR AWAY ANY RAISED PROJECTIONS TO ALLOW EXIT DEVICE TO REST ON FLAT SURFACE OF THE DOOR.
- *IF SHIM KIT IS REQUIRED, CONTACT YOUR DISTRIBUTOR



SCREWS USED FOR EXIT DEVICE INSTALLATION

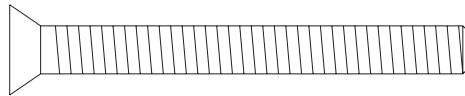
SARGENT®

ASSA ABLOY

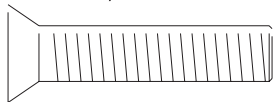
ATTENTION:

ALL SCREWS ARE SHOWN IN ACTUAL SIZE

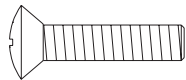
SOME SCREWS WILL BE LONGER FOR DOORS OVER 1 3/4" THICK



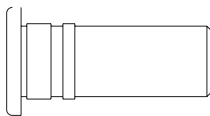
ET MOUNTING SCREW (1-3/4" DOOR)
(1/4"-20 X 2-3/8" PH. FL. HD. MACH. SCREW)



PULL TRIM MOUNTING SCREW
(1-3/4" DOOR)(1/4"-20 X 1-3/8" PH. FL. HD. MACH. SCREW)



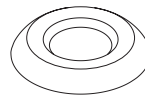
STRIKE MOUNTING SCREW, OUTER
(#10-24 X 3/4" PH. OV. HD. MACH. SCREW) (STEEL FRAME)



GROMMET NUT



STAR WASHER



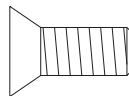
CUP WASHER



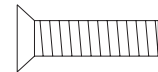
COVERS MOUNTING SCREW
(#8-32 X 5/16" WITH #6 PH. OV. U' CUT HD. MACH. SCREW, 6 PCS)



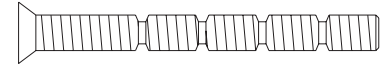
RAIL MOUNTING SCREW
(#8-32 X 3/8" PH. TRUSS HEAD MACH. SCREW., 2 PCS)



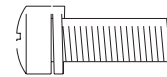
CHASSIS MOUNTING SCREW
(1/4"-20 X 5/8" PH. FL. HD. MACH. SCREWS., 2 PCS)



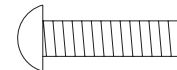
CHASSIS MOUNTING SCREW
(#10-24 X 3/4" PH. FL. HD. MACH. SCREWS, 4 PCS)



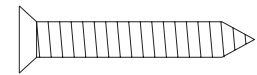
CYLINDER MOUNTING SCREW (STD)
(#10-24 X 1-7/8" WITH #8 PH. FL. HD. MACH. SCREW)



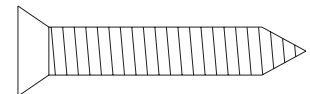
"LL" TYPE TRIM MOUNTING SCREW
(#10-32 X 5/8" PH. FILLISTER HD. SEMS MACH. SCREW)



MOUNTING PLATE OR 649 STRIKE MOUNTING SCREW, INNER
(#10-24 X 3/4" PH. RD. HD. MACH. SCREW)

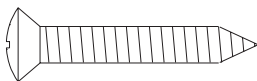


CHASSIS MOUNTING SCREW FOR WOOD DOOR APPLICATION
(#10 X 1-1/4" PH. FL. HD. WOOD SCREW, 4 PCS)

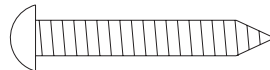


CHASSIS MOUNTING SCREW FOR WOOD DOOR APPLICATION
(#14 X 1-1/2" PH. FL. HD. WOOD SCREW, 2 PCS)

THESE SCREWS PROVIDED FOR WOOD DOOR OR FRAME APPLICATIONS.



641 STRIKE MOUNTING SCREW
(#10 X 1-1/4" PH. OV. HD. WOOD SCREW) (WOOD FRAME)



MOUNTING PLATE MOUNTING SCREW (WOOD DOOR)
(#10 X 1-3/8" PH. RD. HD. WOOD SCREW, 3 PCS)

SCREW PACKS AND MISCELLANEOUS PARTS

PART No.	DESCRIPTION	PART No.	DESCRIPTION
68-3367	MOUNTING PACK (END CAP)	68-3922	MOUNTING PACK (CHASSIS)
68-3905	COVER SCREW PACK	809	TOUCH BAR REPLACEMENT KIT
68-2279	MOUNTING PACK (THRU BOLTING, 1-3/4" DOOR)	68-0879	END CAP
68-2280	MOUNTING PACK (THRU BOLTING, 2-1/4" DOOR)	68-0406	CHASSIS COVER
97-2953	STS SCREW PACK (1-3/4" DOOR)	97-2954	STS SCREW PACK (2-1/4" DOOR)
97-2955	PTB SCREW PACK (1-3/4" DOOR)	97-2966	PTB SCREW PACK (2-1/4" DOOR)
68-2596	HEX KEY DOGGING KIT	816	CYLINDER DOGGING KIT
01-4451	THRU BOLT 1/4"-20 X 2-3/8"	01-4372	THRU BOLT 1/4"-20 X 2 5/8"
01-4373	THRU BOLT 1/4"-20 X 2-7/8"	98-0028	LATCH BOLT SPRING

Copyright © 2006, 2008, 2009, 2012 Sargent Manufacturing Company, an ASSA ABLOY Group company. All rights reserved. Reproduction in whole or in part without the express written permission of Sargent Manufacturing Company is prohibited.

A6770P

FOR ADDITIONAL INFORMATION
CALL SARGENT CUSTOMER SERVICE AT:
1-800-727-5477

ASSA ABLOY, the global leader
in door opening solutions

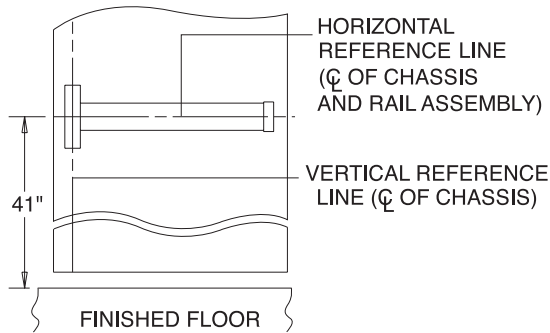
FIRST

TOOLS REQUIRED FOR INSTALLATION:

1. MEASURING TAPE
2. POWER DRILL
3. DRILL BITS: 3/32", 11/32", 3/8", 3/4", #8, #25
4. TAPS: #10-24, 1/4-20
5. HACK SAW OR ANY POWER CUTTER (FOR CUTTING RAILS IF NECESSARY)
6. SCREWDRIVERS: PHILLIPS #2 AND #3
7. LEVEL

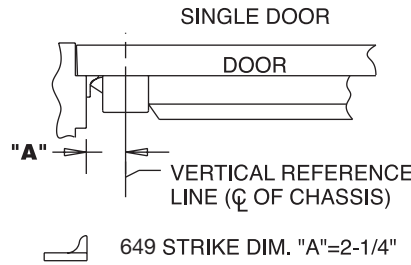
FOR RETROFIT DOOR PREPARATION, THE FOLLOWING MAY BE REQUIRED:
HOLE SAWS: 1-1/8", 1-3/8", 2-1/8"

A MARK VERTICAL AND HORIZONTAL REFERENCE LINES ON THE DOOR

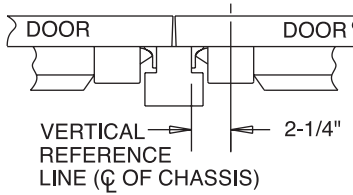


B IDENTIFY TYPE OF INSTALLATION TO DETERMINE LOCATION OF VERTICAL REFERENCE LINE

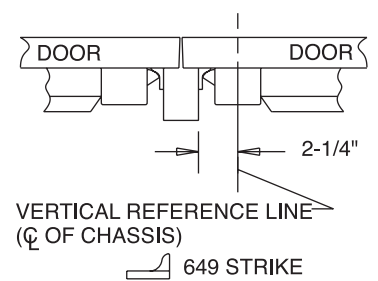
PANIC EXIT DEVICE AND FIRE EXIT DEVICE (12- PREFIX)



DOUBLE DOOR WITH 980 MULLION AND 649 STRIKES



DOUBLE DOOR WITH 12-980 MULLION

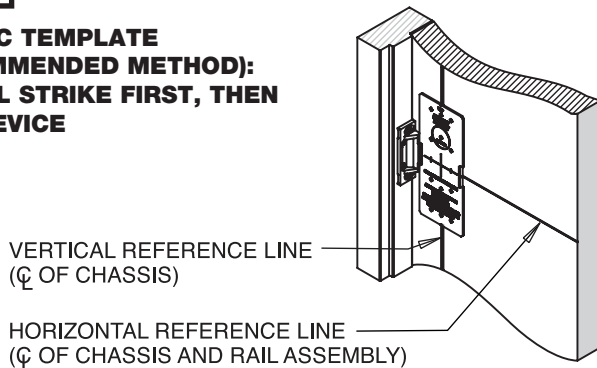


SARGENT
ASSA ABLOY

SECOND

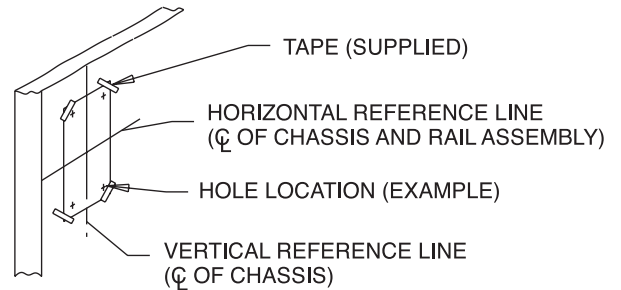
PREPARE DOOR

PLASTIC TEMPLATE (RECOMMENDED METHOD): INSTALL STRIKE FIRST, THEN EXIT DEVICE



1. APPLY PLASTIC TEMPLATE ON DOOR USING REFERENCE LINES AND 649 STRIKE
2. MARK THEN SPOT AND DRILL HOLES

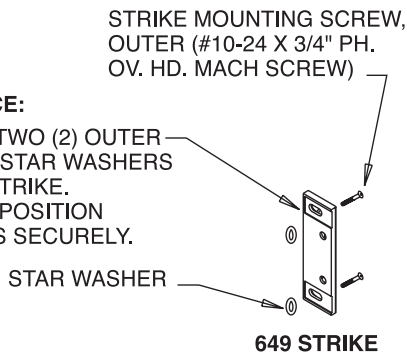
PAPER TEMPLATE: INSTALL EXIT DEVICE FIRST, THEN STRIKE



1. APPLY PROPER TEMPLATE ON DOOR USING REFERENCE LINES. ATTACH IT WITH SUPPLIED TAPE
2. SPOT AND DRILL HOLES

FOR PANIC EXIT DEVICE:

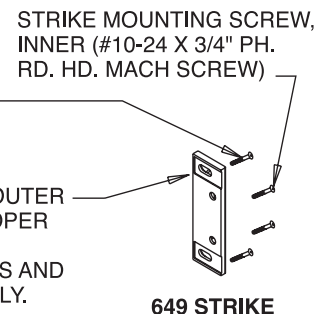
ATTACH STRIKE WITH TWO (2) OUTER SCREWS AND TWO (2) STAR WASHERS PLACED UNDER THE STRIKE. ADJUST FOR PROPER POSITION AND TIGHTEN SCREWS SECURELY.



STRIKE MOUNTING SCREW, OUTER (#10-24 X 3/4" PH. OV. HD. MACH SCREW)

FOR FIRE EXIT DEVICE:

ATTACH STRIKE WITH TWO (2) OUTER SCREWS AND ADJUST FOR PROPER POSITION. INSTALL TWO (2) INNER SCREWS AND TIGHTEN ALL SCREWS SECURELY.



THIRD

APPLY HARDWARE

SARGENT®

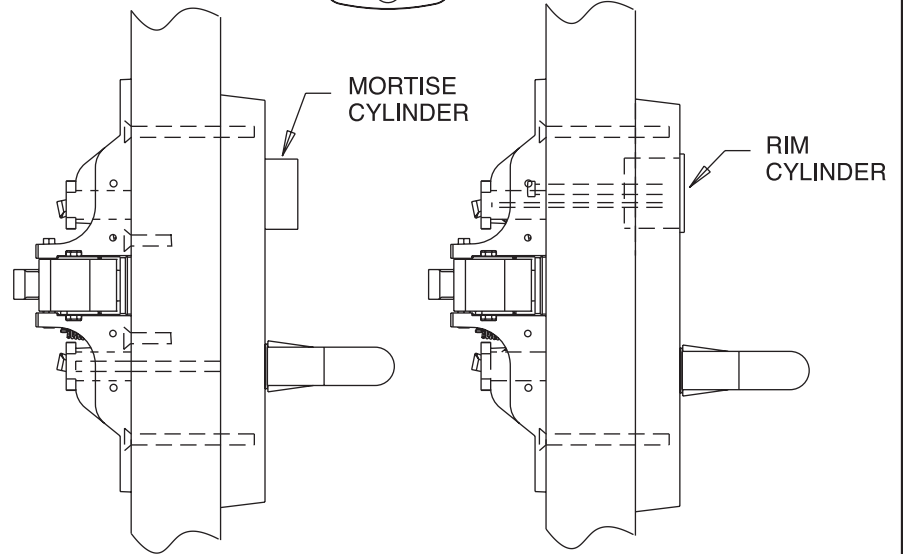
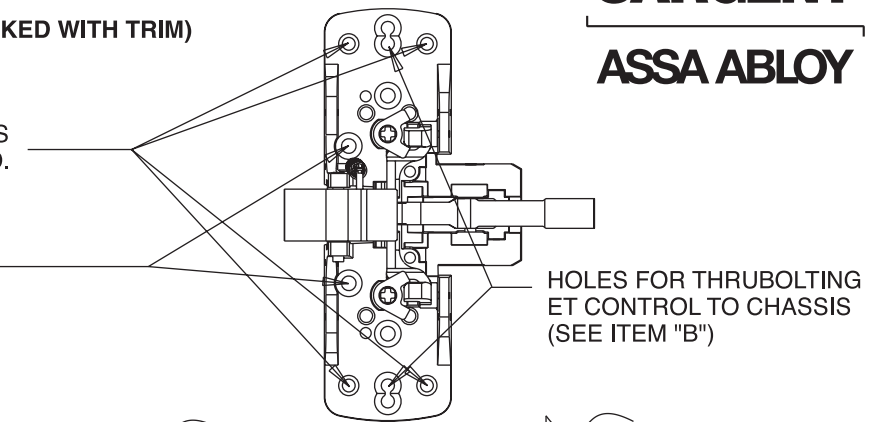
ASSA ABLOY

ET TRIM APPLICATION
(SEE INSTRUCTION SHEET AND TEMPLATE PACKED WITH TRIM)

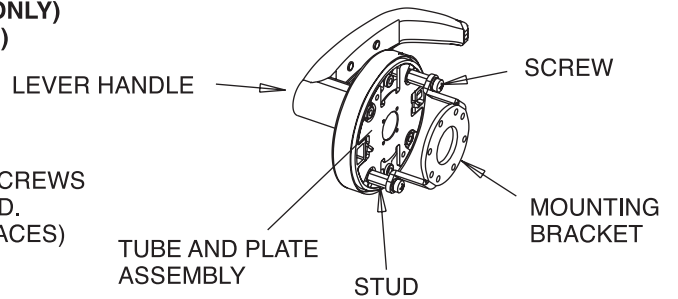
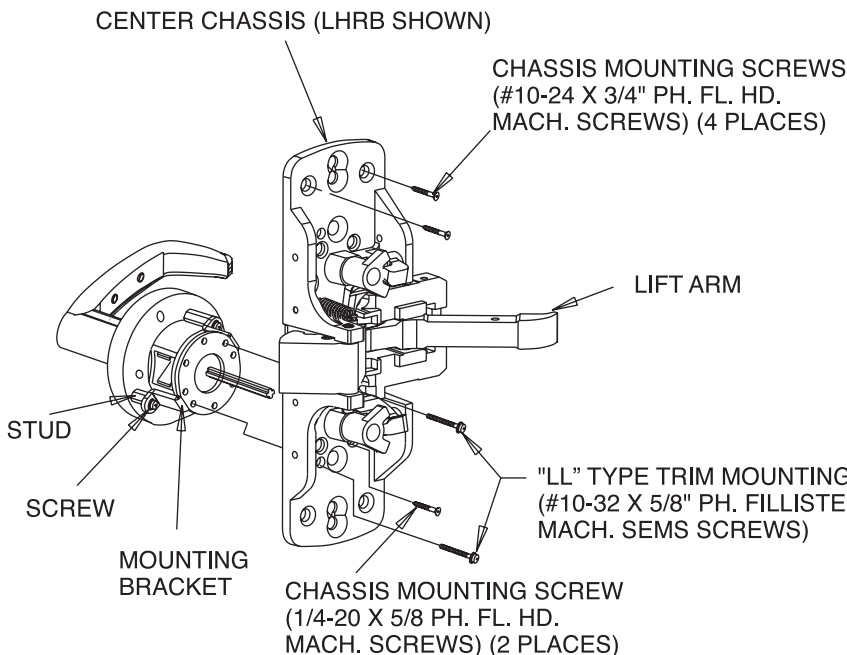
A. ATTACH CHASSIS TO DOOR WITH (4) CHASSIS MOUNTING SCREWS (#10-24 X 3/4" PH. FL. HD. MACH. SCREWS) IN LOCATION SHOWN

(2) 1/4"-20 X 5/8" FLAT HEAD MACHINE SCREWS IN LOCATIONS SHOWN

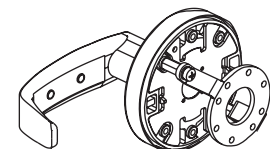
B. ATTACH ET CONTROL USING THE TWO (2) 1/4"-20 X 2-3/8" PH. FL. HD. MACH. SCREWS THROUGH THE APPROPRIATE MOUNTING HOLES IN CHASSIS



LL LEVER HANDLE TRIM REVERSIBLE (FOR 8888 AND 12-8888 ONLY)
(SEE INSTRUCTION SHEET AND TEMPLATE PACKED WITH TRIM)



DUMMY TRIM FOR LHRB EXIT DEVICE



DUMMY TRIM FOR RHRB EXIT DEVICE

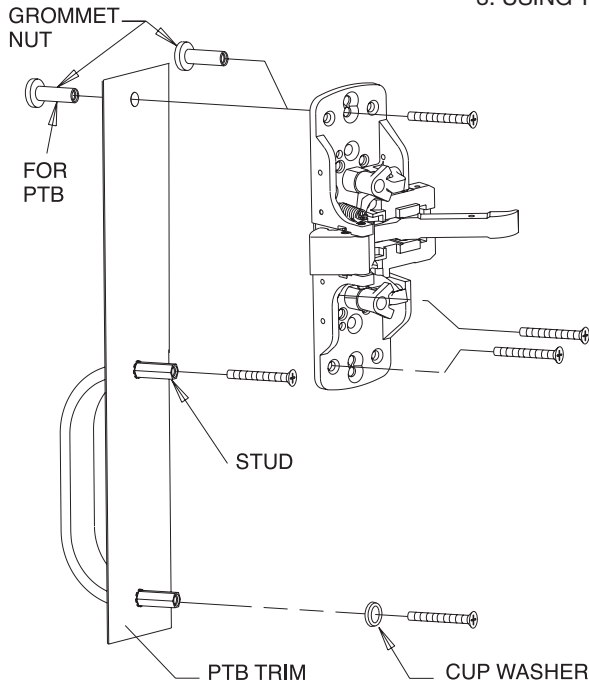
THIRD (continuation)

PTB, FLL, FLW AND MAL PULL TRIM
(PREP DOOR FOR TRIM TO BE USED)

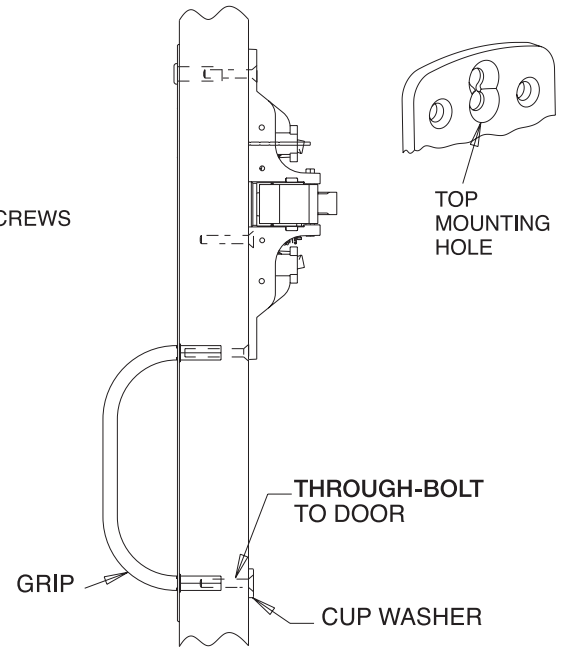
1. ATTACH CHASSIS TO THE SURFACE OF DOOR WITH (4) #10-24 x 3/4" SCREWS
2. POSITION TRIM ON DOOR AND THROUGH-BOLT TRIM TO CHASSIS WITH (2) 1/4-20 x 5/8" LONG SCREWS
3. USING THE CUP WASHER, THROUGH-BOLT BOTTOM OF TRIM

SARGENT[®]

ASSA ABLOY

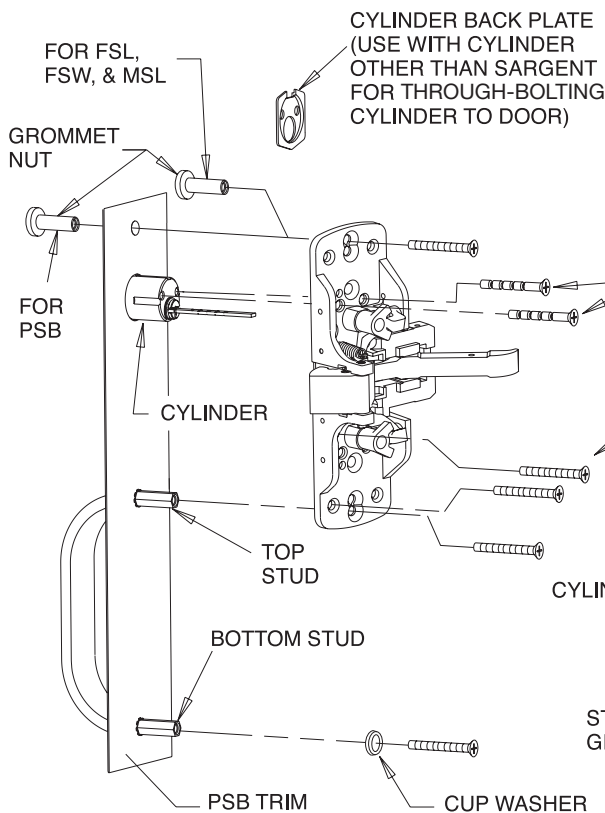


CHASSIS MOUNTING SCREWS
4 x #10-24 X 3/4" AND
2 x 1/4-20 X 5/8" PH.
FL. HD. MACH SCREW



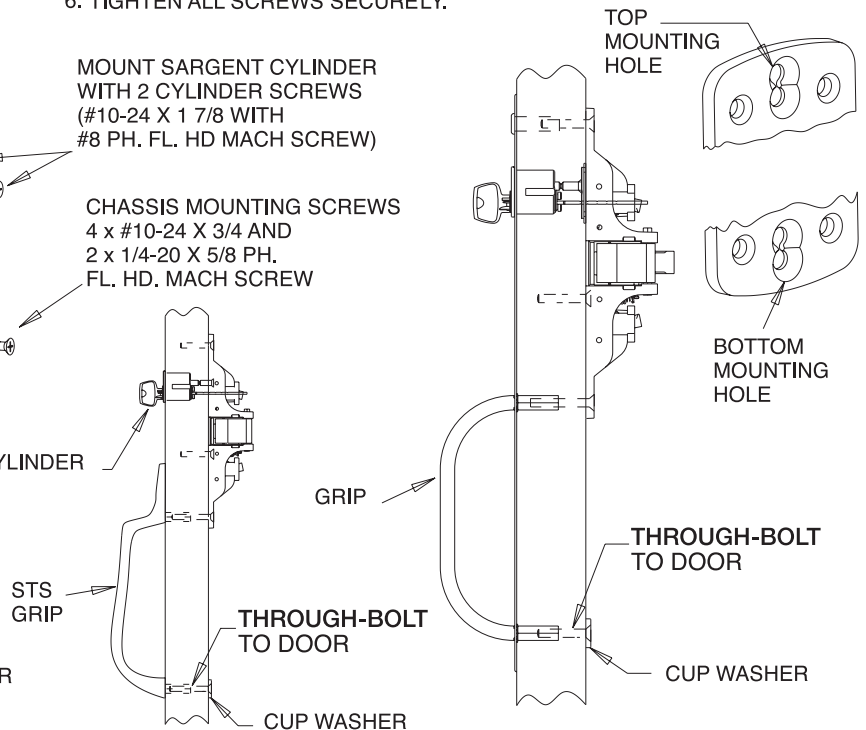
PSB, FSL, FSW, MSL AND STS PULL TRIM
BY CYLINDER APPLICATION

1. MOUNT CHASSIS TO DOOR WITH (6) CHASSIS MOUNTING SCREWS.
2. THROUGH-BOLT GROMMET NUT TO TOP CHASSIS MOUNTING HOLE.
3. THROUGH-BOLT TOP STUD TO BOTTOM CHASSIS MOUNTING HOLE.
4. THROUGH-BOLT BOTTOM STUD TO BOTTOM MOUNTING HOLE.
5. THROUGH-BOLT SARGENT CYLINDER TO CHASSIS THRU TRIM. IF SCREW IS TOO LONG, BREAK OFF AT NOTCHES AS NEEDED.
6. TIGHTEN ALL SCREWS SECURELY.



MOUNT SARGENT CYLINDER
WITH 2 CYLINDER SCREWS
(#10-24 X 1 7/8" WITH
#8 PH. FL. HD MACH SCREW)

CHASSIS MOUNTING SCREWS
4 x #10-24 X 3/4" AND
2 x 1/4-20 X 5/8" PH.
FL. HD. MACH SCREW



FOURTH APPLY RAIL ASSEMBLY

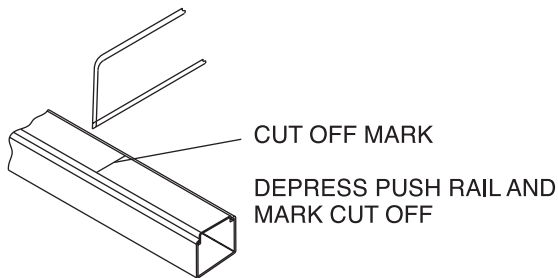
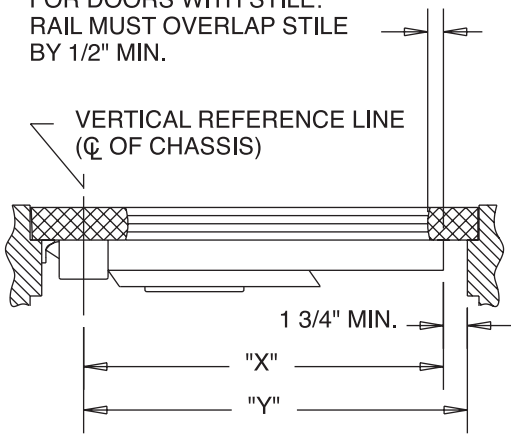
SARGENT®

ASSA ABLOY

- CHECK BOX LABEL. IF CUTTING IS NOT REQUIRED, PROCEED TO STEP "B".
- IF CUTTING IS REQUIRED, CONTINUE WITH STEP "A".

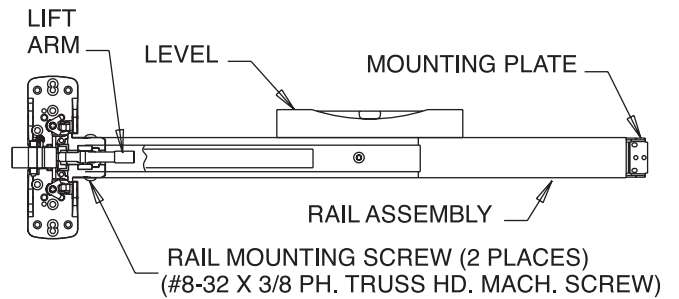
A DETERMINE CUT OFF DIMENSION "X" BY SUBTRACTING 1-3/4" FROM DIMENSION "Y"

FOR DOORS WITH STILE:
RAIL MUST OVERLAP STILE
BY 1/2" MIN.



B 1. DEPRESS LIFT ARM INTO RAIL ASSEMBLY AND SLIDE RAIL ONTO CHASSIS.

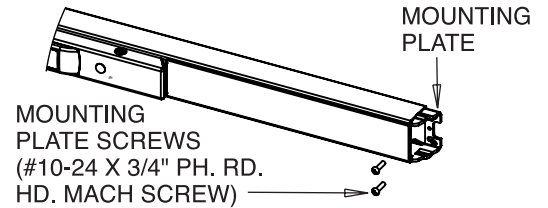
2. ATTACH RAIL ASSEMBLY TO CHASSIS WITH TWO (2) #8 TRUSS HEAD MACHINE SCREWS. DO NOT TIGHTEN SCREWS.



3. LEVEL RAIL.

PLACE MOUNTING PLATE TIGHT AGAINST RAIL AND ATTACH TO DOOR WITH TWO (2) #10 ROUND HEAD SCREWS

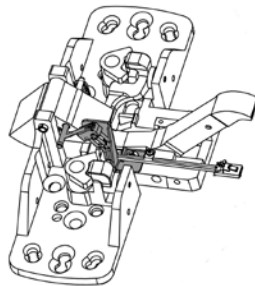
4. TIGHTEN ALL SCREWS SECURELY.



FIFTH (-53) LATCH BOLT MONITORING ADJUSTMENT

NOTE: THE LATCH BOLT SWITCH WILL COME PRE-SET FOR THE MOST COMMON APPLICATIONS. IF THE SENSITIVITY NEEDS TO BE ADJUSTED, FOLLOW THE STEPS BELOW.

1. LOOSEN SCREW AND NUT
2. ROTATE SWITCH (UP FOR QUICKER REACTION OR DOWN FOR SLOWER REACTION).
3. TIGHTEN SCREW AND NUT
4. CHECK OPERATION



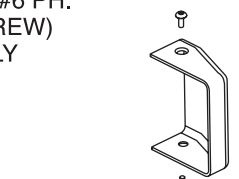
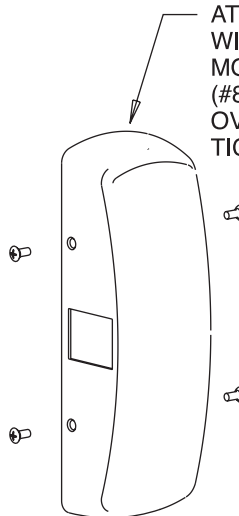
NOTE: MAKE SURE SWITCH IS LOCATED ON THE MOUNTING POST AND THE SCREW AND NUT ARE SECURELY FASTENED



Using your mobile phone, scan this Microsoft® Tag. Download the free mobile app at <http://gettag.mobi>

SIXTH APPLY COVERS

ATTACH COVER TO CHASSIS WITH FOUR (4) COVER MOUNTING SCREWS (#8-32 X 5/16 WITH #6 PH. OV. HD. MACH. SCREW) TIGHTEN SECURELY



ATTACH END CAP TO MOUNTING PLATE WITH TWO (2) COVER MOUNTING SCREWS TIGHTEN SECURELY