

SARGENT

ASSA ABLOY

ASSA ABLOY, the global leader in door opening solutions

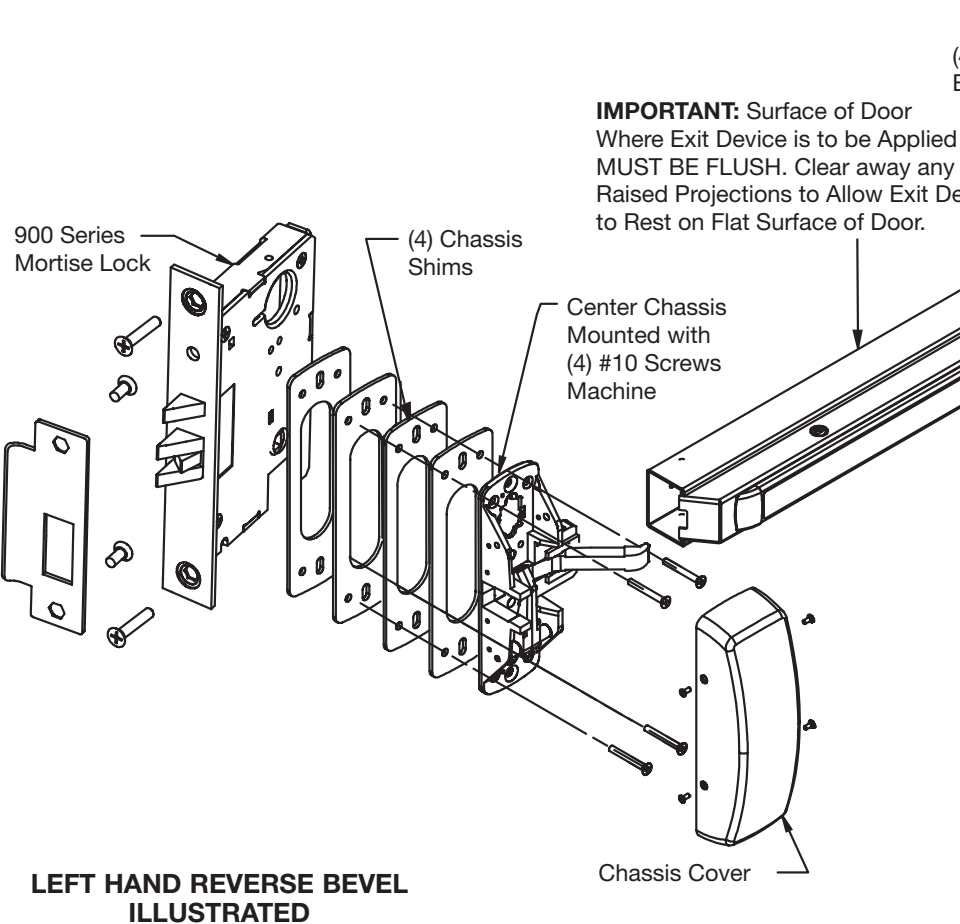
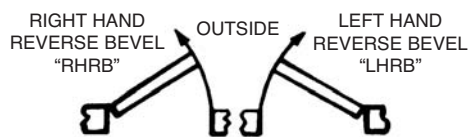
INSTRUCTIONS FOR INSTALLING WS8900 & 12-WS8900 SERIES MORTISE LOCK TYPE EXIT DEVICE

FOR ASSISTANCE, CONTACT SARGENT AT 800-727-5477 or www.sargentlock.com

U.S. PATENT NO. 268003
CANADIAN PATENT RD 1981

CAUTION: BEFORE STARTING

- CHECK HAND OF DOOR (THIS EXIT DEVICE IS HANDED AND NOT REVERSIBLE).
- DOOR SHOULD BE FITTED AND HUNG.
- CHECK BOX LABEL FOR SIZE OF EXIT DEVICE, FUNCTION AND HAND.



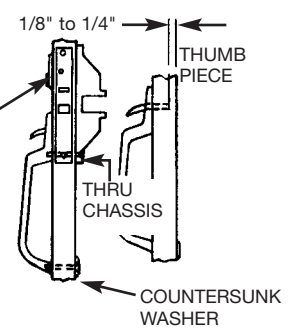
AVAILABLE STOCK LENGTHS

- Length "E": 32" door, no cut off required. Can be cut to fit doors down to 24" wide.
- Length "F": 36" door, no cut off required. Can be cut to fit doors down to 33" wide.
- Length "J": 42" door, no cut off required. Can be cut to fit doors down to 37" wide.
- Length "G": 48" door, no cut off required. Can be cut to fit doors down to 43" wide.

THIRD APPLY HARDWARE

ATTACH OUTSIDE TRIM AND CYLINDER, IF USED.

AFTER INSTALLING CYLINDER, TIGHTEN CYLINDER SET SCREW IN LOCK FRONT.

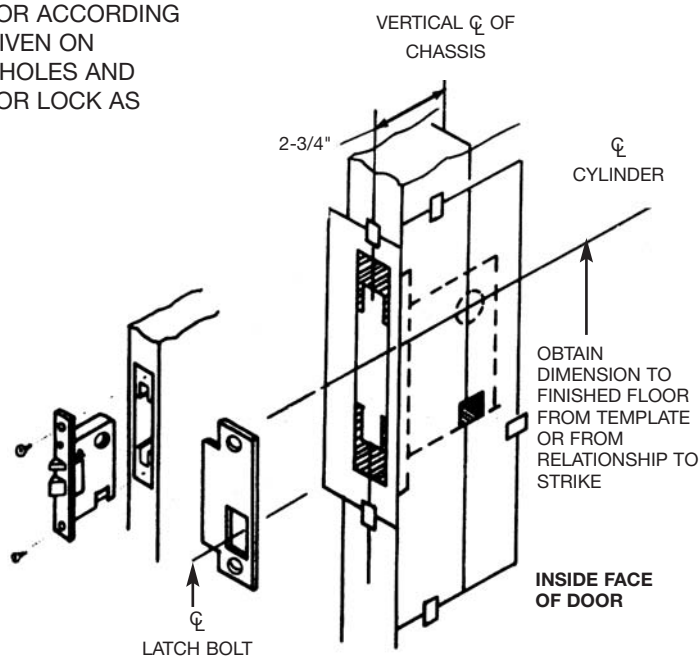


FOURTH APPLY RAIL ASSEMBLY

- CHECK BOX LABEL. IF CUTTING IS NOT REQUIRED, PROCEED TO STEP "B".
- IF CUTTING IS REQUIRED, CONTINUE WITH STEP "A".

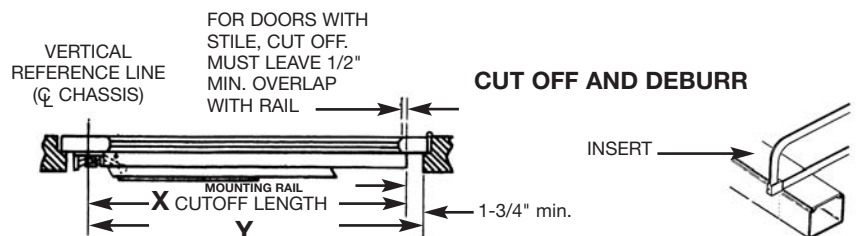
FIRST PREPARE DOOR AND MOUNT LOCK

TAPE TEMPLATE TO INSIDE FACE AND EDGE OF DOOR ACCORDING TO DIRECTIONS GIVEN ON TEMPLATE. DRILL HOLES AND MORTISE DOOR FOR LOCK AS INDICATED.



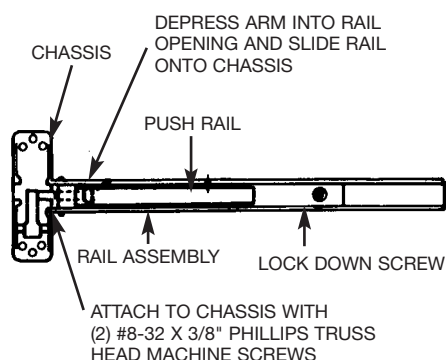
A

DETERMINE CUT OFF DIMENSION "X" BY SUBTRACTING 1-3/4" FROM DIMENSION "Y". MARK CUT OFF POINT ON MOUNTING RAIL.



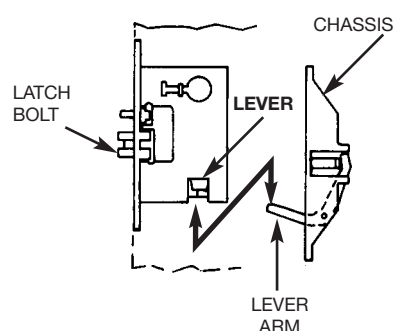
SECOND ATTACH CHASSIS TO DOOR

A. TEMPORARILY ATTACH CHASSIS TO RAIL, THEN LOCK PUSH RAIL DOWN USING HEX OR CYLINDER KEY OR HOLDING PUSH RAIL IN DEPRESSED POSITION ON 12-8900 EXIT DEVICE (REFER TO EXPLODED VIEW AT TOP OF PAGE).



NOTE: IF CUTTING OF RAIL WILL BE REQUIRED, IT MAY BE DESIRED TO PROCEED TO STEP 4A PRIOR TO THE TEMPORARY ASSEMBLY OF CHASSIS AND RAIL.

B. POSITION CHASSIS AND RAIL ON DOOR SO THAT LEVER ARM IS UNDER REAR SECTION OF MORTISE LOCK LEVER. THEN LIFT UP UNTIL LATCH BOLT IS COMPLETELY RETRACTED.

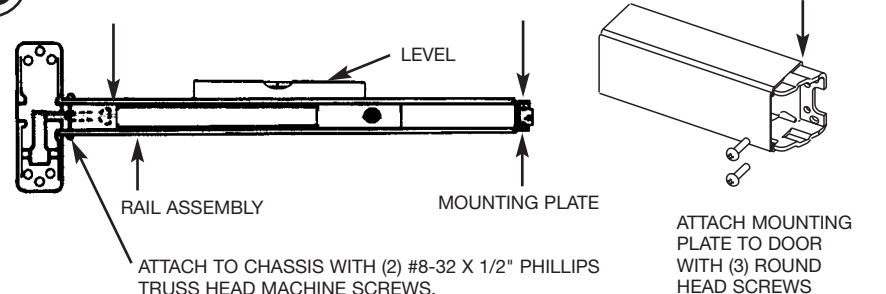


WITH CHASSIS IN THIS POSITION AND RAIL HORIZONTAL, MARK LOCATION OF CHASSIS MOUNTING HOLES. DRILL HOLES FOR SCREWS.

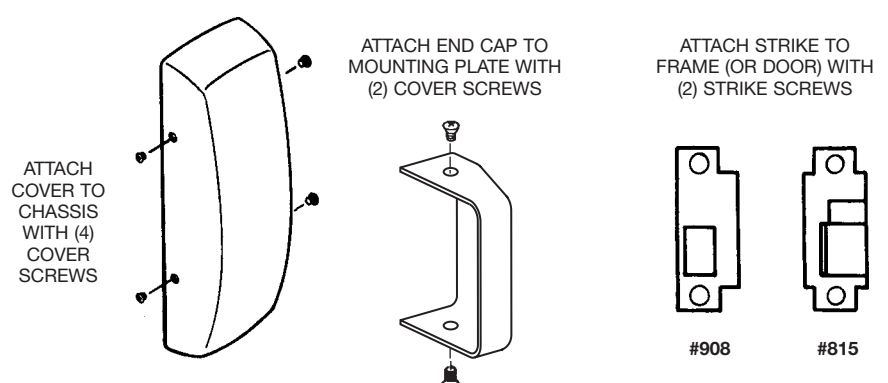
C. RELEASE PUSH RAIL AND DISASSEMBLE CHASSIS FROM RAIL. THEN MOUNT CHASSIS ON DOOR.

B

DEPRESS ARM INTO RAIL OPENING AND SLIDE RAIL ONTO CHASSIS. LEVEL RAIL AND FASTEN MOUNTING PLATE.



FIFTH APPLY COVERS AND STRIKE



SARGENT

ASSA ABLOY

ASSA ABLOY, the global leader in door opening solutions

INSTRUCTIONS FOR INSTALLING 8900 & 12-8900 SERIES MORTISE LOCK TYPE EXIT DEVICE

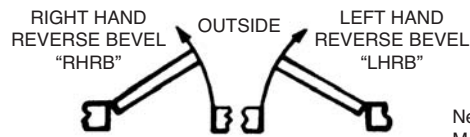
FOR ASSISTANCE, CONTACT SARGENT AT 800-727-5477 or www.sargentlock.com

CAUTION: BEFORE STARTING

- CHECK HAND OF DOOR (THIS EXIT DEVICE IS HANDED AND NOT REVERSIBLE).
- DOOR SHOULD BE FITTED AND HUNG.
- CHECK BOX LABEL FOR SIZE OF EXIT DEVICE, FUNCTION AND HAND.

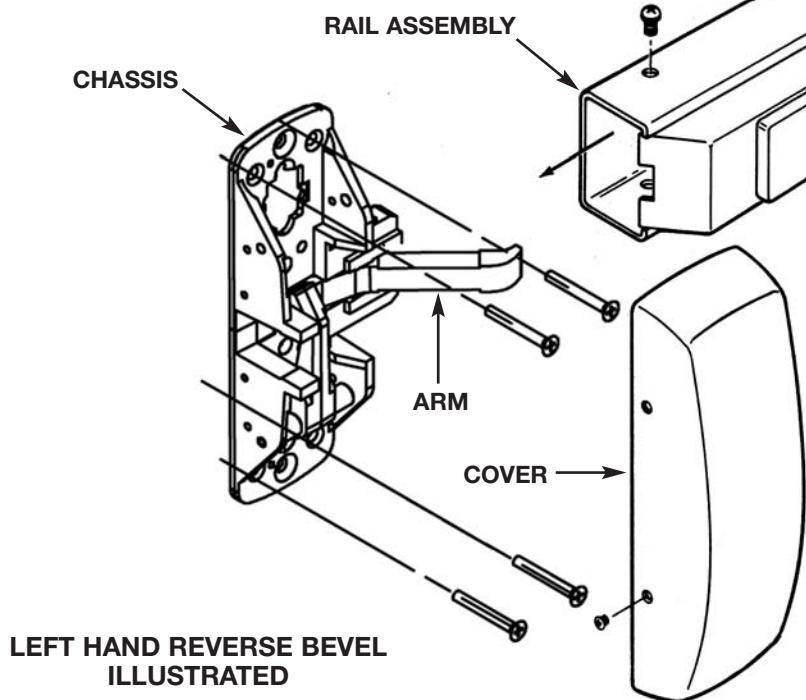
AVAILABLE STOCK LENGTHS

- Length "E": 32" door, no cut off required. Can be cut to fit doors down to 24" wide.
- Length "F": 36" door, no cut off required. Can be cut to fit doors down to 33" wide.
- Length "J": 42" door, no cut off required. Can be cut to fit doors down to 37" wide.
- Length "G": 48" door, no cut off required. Can be cut to fit doors down to 43" wide.



U.S. PATENT NO. 268003
CANADIAN PATENT RD 1981

IMPORTANT: SURFACE OF DOOR WHERE EXIT DEVICE IS TO BE APPLIED MUST BE FLUSH. CLEAR AWAY ANY RAISED PROJECTIONS TO ALLOW EXIT DEVICE TO REST ON FLAT SURFACE OF DOOR.



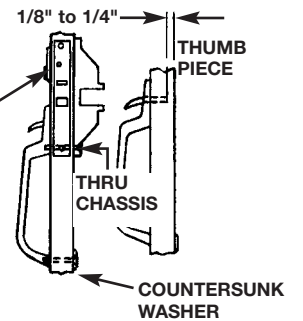
LEFT HAND REVERSE BEVEL ILLUSTRATED

"LOCK DOWN KEY"
TO OPERATE: DEPRESS PUSHRAIL. INSERT HEX KEY (OR CYLINDER KEY WHEN USED) AND TURN CLOCKWISE.
(NOT FURNISHED WITH 12-8900 EXIT DEVICE)

THIRD APPLY HARDWARE

ATTACH OUTSIDE TRIM AND CYLINDER, IF USED.

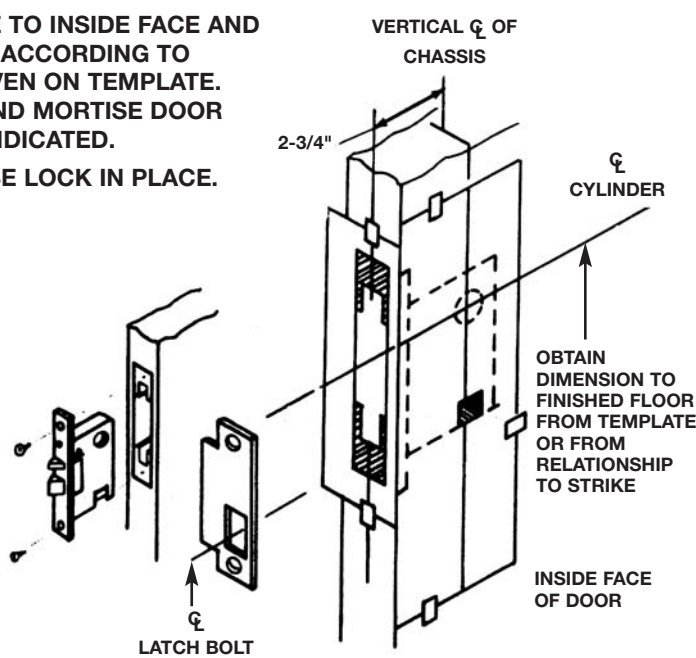
AFTER INSTALLING CYLINDER, TIGHTEN CYLINDER SET SCREW IN LOCK FRONT.



FIRST PREPARE DOOR AND MOUNT LOCK

TAPE TEMPLATE TO INSIDE FACE AND EDGE OF DOOR ACCORDING TO DIRECTIONS GIVEN ON TEMPLATE. DRILL HOLES AND MORTISE DOOR FOR LOCK AS INDICATED.

FASTEN MORTISE LOCK IN PLACE.



SECOND ATTACH CHASSIS TO DOOR

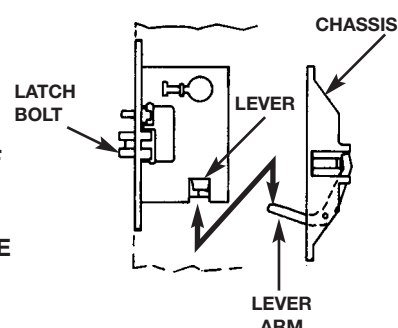
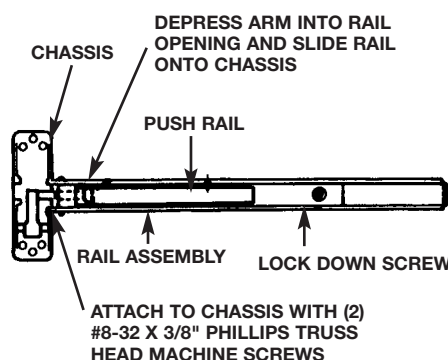
A. TEMPORARILY ATTACH CHASSIS TO RAIL. THEN LOCK PUSH RAIL DOWN USING HEX OR CYLINDER KEY OR HOLDING PUSH RAIL IN DEPRESSED POSITION ON 12-8900 EXIT DEVICE. (REFER TO EXPLODED VIEW AT TOP OF PAGE).

NOTE: IF CUTTING OF RAIL WILL BE REQUIRED, IT MAY BE DESIRED TO PROCEED TO STEP 4A PRIOR TO THE TEMPORARY ASSEMBLY OF CHASSIS AND RAIL.

B. POSITION CHASSIS AND RAIL ON DOOR SO THAT LEVER ARM IS UNDER REAR SECTION OF MORTISE LOCK LEVER. THEN LIFT UP UNTIL LATCH BOLT IS COMPLETELY RETRACTED.

WITH CHASSIS IN THIS POSITION AND RAIL HORIZONTAL, MARK LOCATION OF CHASSIS MOUNTING HOLES. DRILL HOLES FOR SCREWS.

C. RELEASE PUSH RAIL AND DISASSEMBLE CHASSIS FROM RAIL. THEN MOUNT CHASSIS ON DOOR.

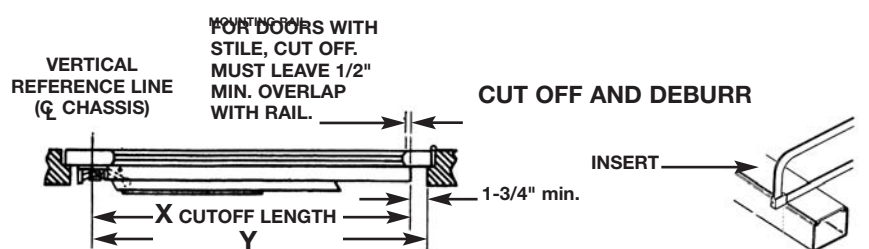


FOURTH APPLY RAIL ASSEMBLY

- CHECK BOX LABEL. IF CUTTING IS NOT REQUIRED PROCEED TO STEP "B".
- IF CUTTING IS REQUIRED, CONTINUE WITH STEP "A".

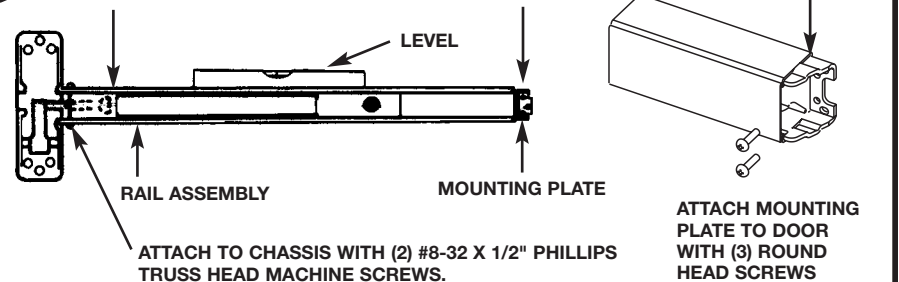
A

DETERMINE CUT OFF DIMENSION "X" BY SUBTRACTING 1-3/4" FROM DIMENSION "Y". MARK CUT OFF POINT ON MOUNTING RAIL.

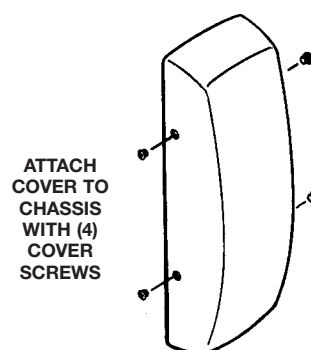


B

DEPRESS ARM INTO RAIL OPENING AND SLIDE RAIL ONTO CHASSIS. LEVEL RAIL AND FASTEN MOUNTING PLATE.



FIFTH APPLY COVERS AND STRIKE

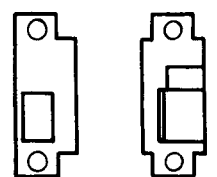


ATTACH COVER TO CHASSIS WITH (4) COVER SCREWS

ATTACH END CAP TO MOUNTING PLATE WITH (2) COVER SCREWS



ATTACH STRIKE TO FRAME (OR DOOR) WITH (2) STRIKE SCREWS



#908

#815