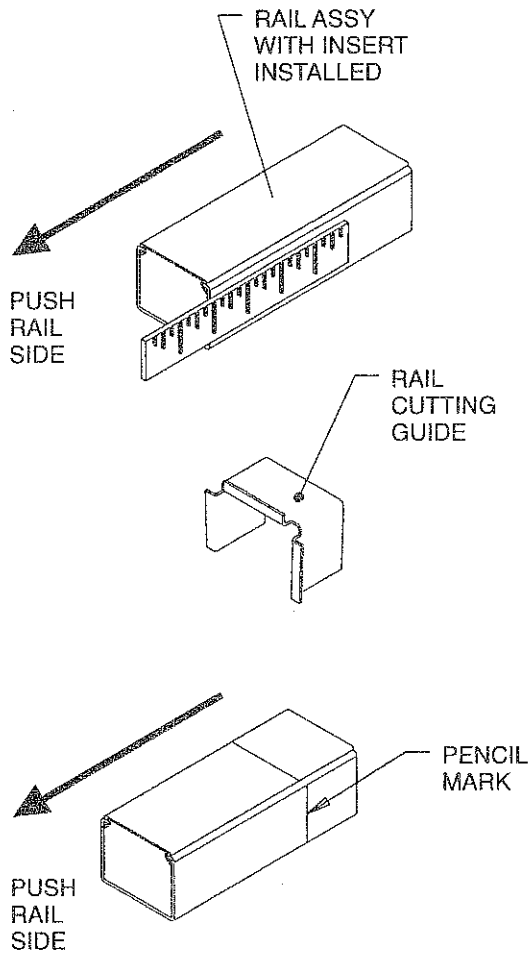


43- PREFIX FLUSH END CAP RAIL CUTTING INSTRUCTION SHEET FOR 80 SERIES RAILS



**IF RAIL MUST BE CUT,
FOLLOW THESE STEPS:**

1. INSTALL RAIL INSERT
 2. MEASURE FROM PUSH RAIL SIDE
 3. MARK CUT LINE WITH A PENCIL
 4. PLACE CUTTING GUIDE ON SIDE OF RAIL TO BE REMOVED
 5. LINE UP GUIDE WITH PENCIL MARK
 6. SECURE CUTTING GUIDE WITH C-CLAMP
 7. CUT RAIL USING APPROPRIATE CUTTING TOOL (IF HACK SAW IS USED INSTALL A NEW BLADE FOR BEST RESULTS)
 8. FILE, DE-BURR AND RADIUS CUT EDGES AND CORNERS
 9. INSTALL END BRACKET FLUSH WITH END OF RAIL.
- NOTE: DOOR SURFACE MUST BE FLAT.**
10. INSTALL END CAP FLUSH WITH END OF RAIL.

