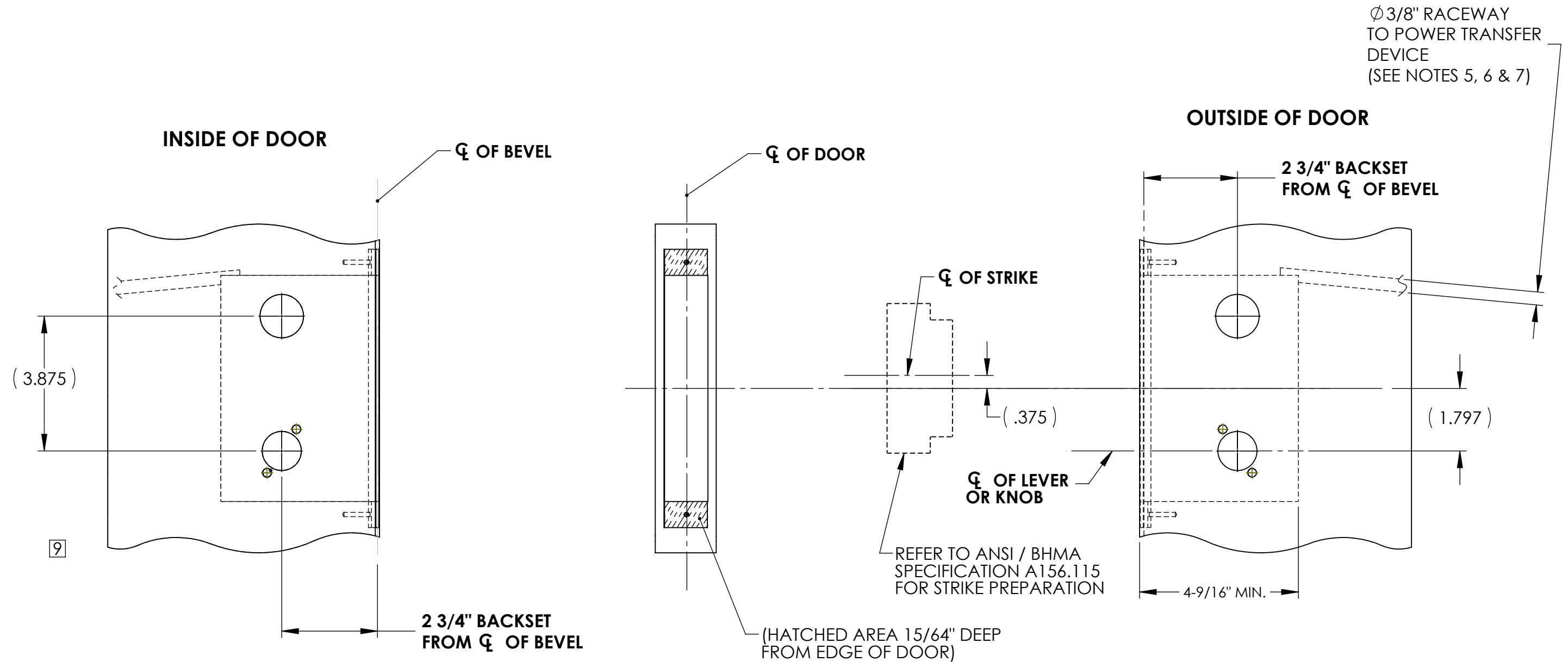


METAL DOOR PREP



NOTES:

1. SEE TEMPLATE 7057 FOR HOLES AND DIMENSIONS REQUIRED FOR THE LOCK FUNCTION BEING APPLIED
SEE APPROPRIATE TRIM TEMPLATE FOR REQUIRED HOLES AND DIMENSIONS.
2. SUITABLE REINFORCEMENT REQUIRED FOR METAL DOORS.
3. FOR WOOD DOOR SPECIFIC PREP SEE SHEET 2.
4. FOR STANDARD STRIKE TEMPLATING, SEE TEMPLATE 7063.
5. PROVIDE AREA TO BE FREE OF OBSTRUCTIONS FOR WIRE HARNESS THROUGH DOOR.
6. FOR ELECTROLYNX APPLICATIONS, REFER TO MCKINNEY TRANSFER DEVICE CATALOG.
7. CONSULT WITH POWER TRANSFER DEVICE MANUFACTURER FOR DOOR AND FRAME TEMPLATE DETAILS.
8. TOLERANCE ALL DIMENSIONS $\pm .015$.

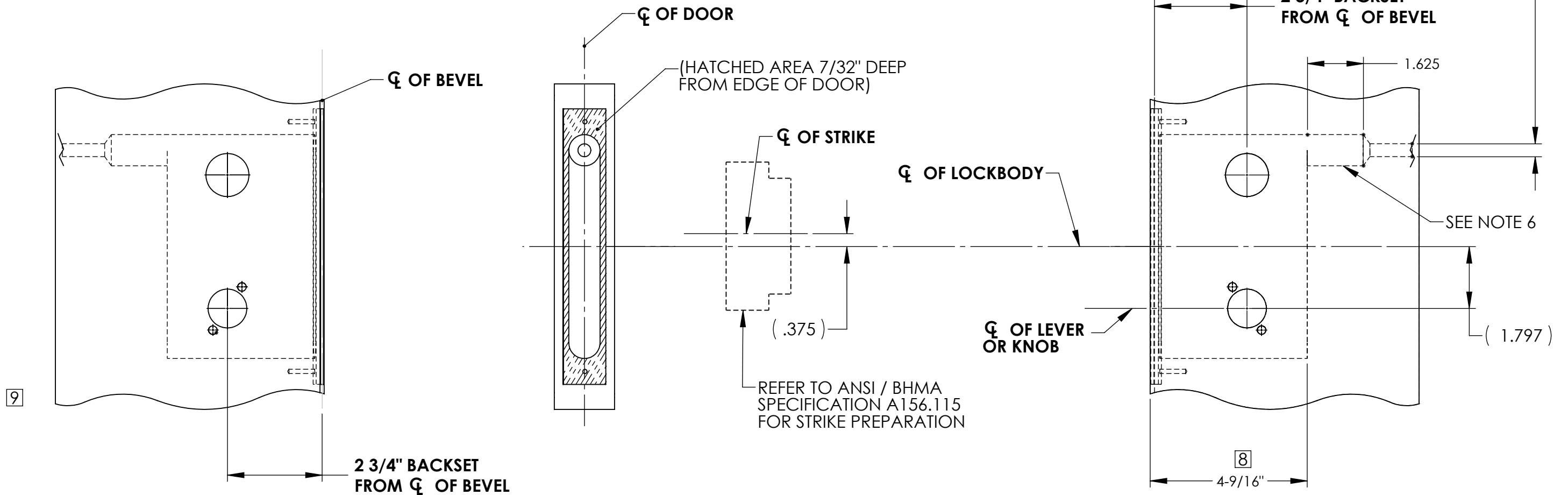
SARGENT ASSA ABLOY	Manufacturing Company 100 Sargent Drive New Haven, CT 06511
	ELECTRIFIED MORTISE LOCK DOOR TEMPLATE (FOR FUNCTIONS 70 THRU 73) & (PREFIXES: 56-, RX-, LX- & DX-) & (NAC-270/271/274/275/280/281)
RELEASE DATE 19-OCT-23	
TEMPLATE NO. SHEET 1 - 7065 10	

WOOD DOOR PREP

Ø 3/8" RACEWAY
TO POWER TRANSFER
DEVICE
(SEE NOTES 3, 4 & 5)

INSIDE OF DOOR

OUTSIDE OF DOOR



NOTES:

1. SEE TEMPLATE 7057 FOR HOLES AND DIMENSIONS REQUIRED FOR THE LOCK FUNCTION BEING APPLIED
SEE APPROPRIATE TRIM TEMPLATE FOR REQUIRED HOLES AND DIMENSIONS.
2. FOR STANDARD STRIKE TEMPLATING, SEE TEMPLATE 7063.
3. PROVIDE AREA TO BE FREE OF OBSTRUCTIONS FOR WIRE HARNESS THROUGH DOOR.
4. FOR ELECTROLYNX APPLICATIONS, REFER TO MCKINNEY TRANSFER DEVICE CATALOG.
5. CONSULT WITH POWER TRANSFER DEVICE MANUFACTURER FOR DOOR AND FRAME TEMPLATE DETAILS.
6. OVER-DRILL Ø 1" TO A DEPTH OF 1 5/8" BEYOND BACK OF MORTISE TO CREATE POCKET FOR "QC" CONNECTORS
7. TOLERANCE ALL DIMENSIONS ±.015.

SARGENT	Manufacturing Company
ASSA ABLOY	100 Sargent Drive New Haven, CT 06511
ELECTRIFIED MORTISE LOCK DOOR TEMPLATE (FOR FUNCTIONS 70 THRU 73) & (PREFIXES: 56-, RX-, LX- & DX-) & (NAC-270/271/274/275/280/281)	RELEASE DATE 19-OCT-23
	TEMPLATE NO. SHEET 1 - 7065 10