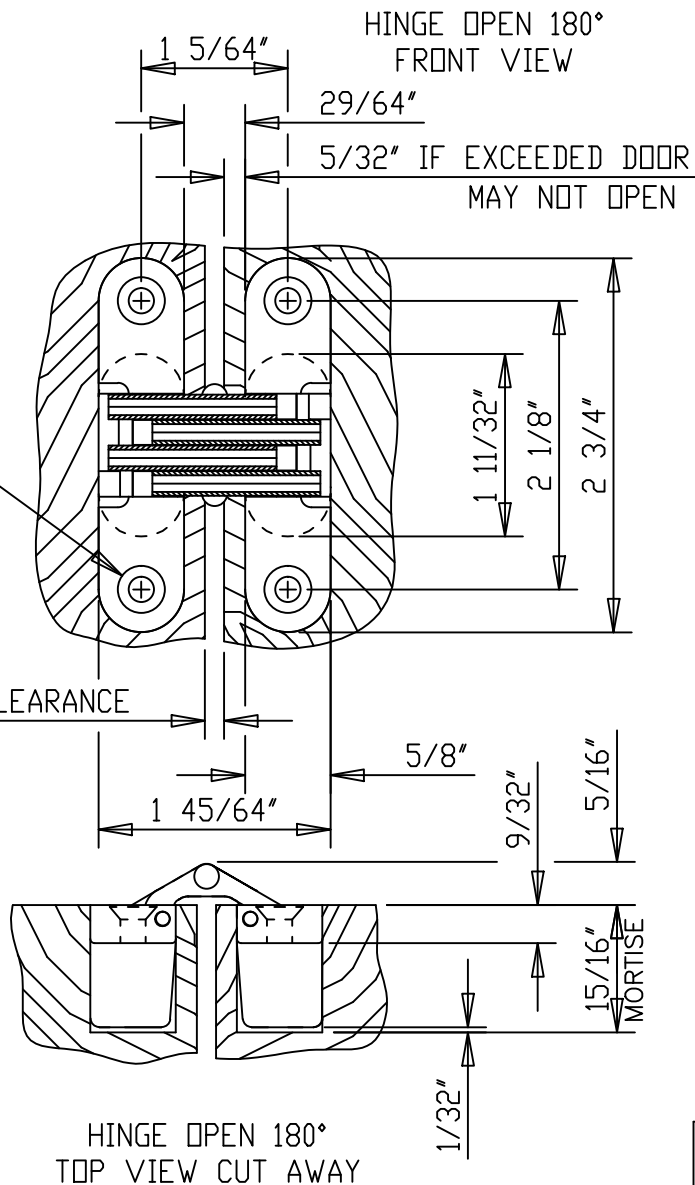


HINGE OPEN 180°  
ISOMETRIC VIEW

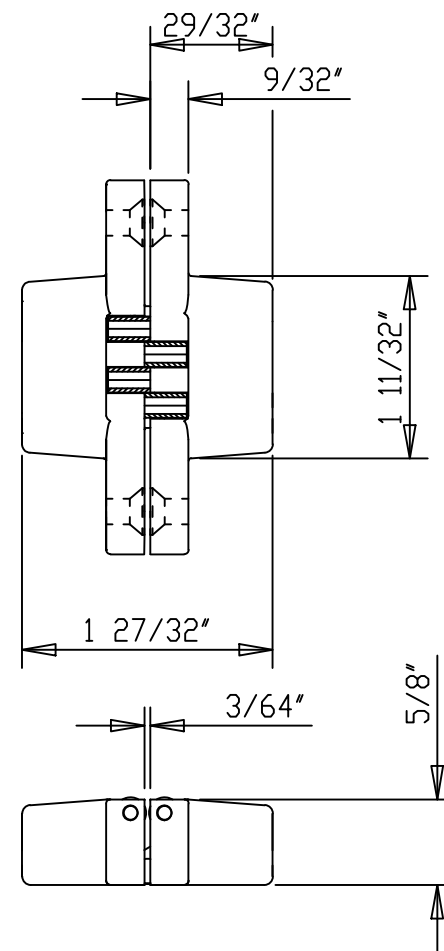
3/16" DIA HOLE WITH  
11/32" DIA x 82° C'SINK

9/64" DOOR CLEARANCE



HINGE OPEN 180°  
TOP VIEW CUT AWAY


HINGE CLOSED  
FRONT VIEW CUT AWAY



HINGE CLOSED  
TOP VIEW CUT AWAY

SUPPLIED:  
WOOD SCREW  
#8 x 1-1/4"  
SPECIAL ORDER:  
MACH. SCREW  
#8-32 x 5/8"

MIN. MATERIAL THICKNESS IS 1"  
DO NOT SCALE DRAWING  
ALL DIMENSIONS ARE IN INCH  
DOOR CLEARANCE REDUCES TO 1/64" WHILE CLOSING  
SEE DWG# 4477-C IF ADDING MATERIAL TO DOOR FACE AND/OR FRAME FACE

 Copyright 2008 Universal Industrial Products, Inc. One Coreway Drive Pioneer, Ohio 43554-0628	SCALE: 3/4 = 1
	DRAWN BY: LHH
HINGE TEMPLATE	DATE: 10/01/13
#208 SOSS INVISIBLE HINGE	DRAWING # 208