

# TEMPLATE T-415

Effective date: January 27, 2026  
Supercedes: All Previous

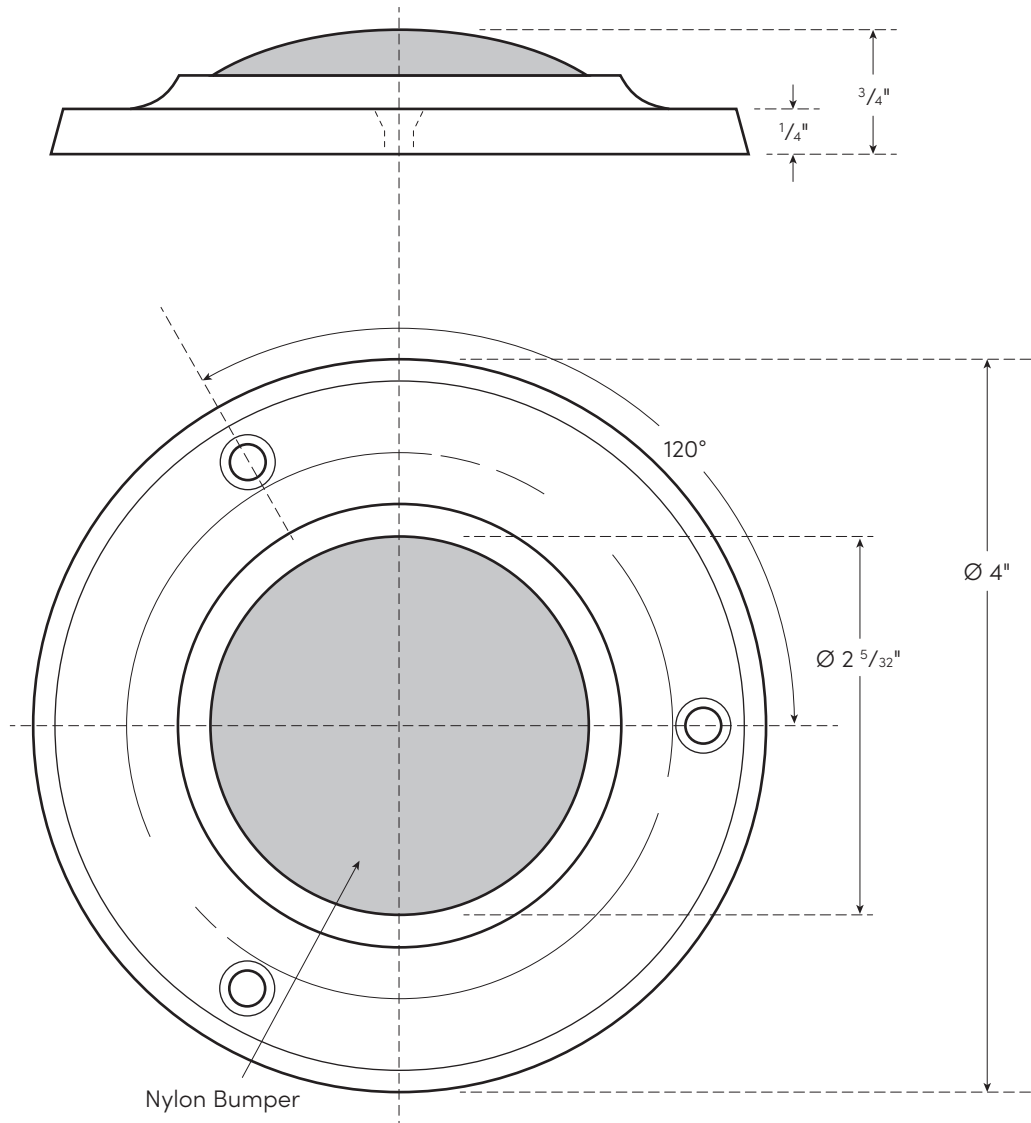
**NOT TO SCALE**

**ROCKWOOD®**

**ASSA ABLOY**

Experience a safer  
and more open world

## ROCKWOOD 415 CAST WALL STOP



**FASTENERS NOTE:**

#8-32 x 2" Round Head Machine  
Screws and Toggle Bolt