

1. PREPARE DOOR

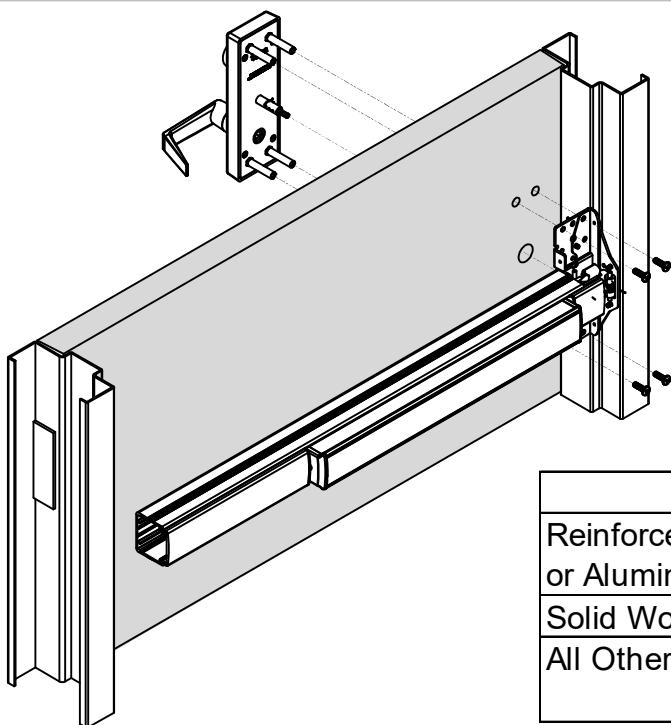
- Prepare door and frame according to template.
- Refer to trim template if installing trim.

2. SIZE DEVICE

- Standard lengths are for 36" or 48" door. Device must be cut for other lengths.
- Mark length with tape – length equals device size minus desired door size (for 30" door = cut 6" off 36" device) ensuring a square cut.



Maximum cut off length:				
	Panic	Fire	Alarm	MLR
36" Device	6"	8"	2"	3"
48" Device	12"	14"	8"	9"



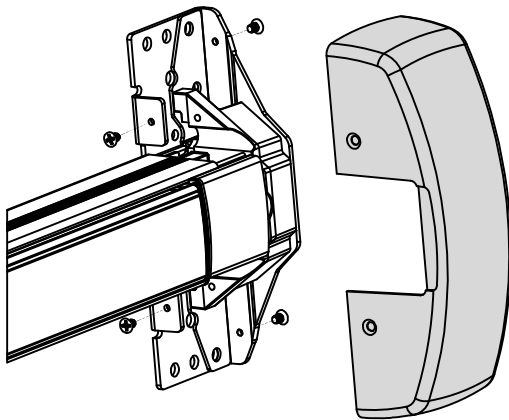
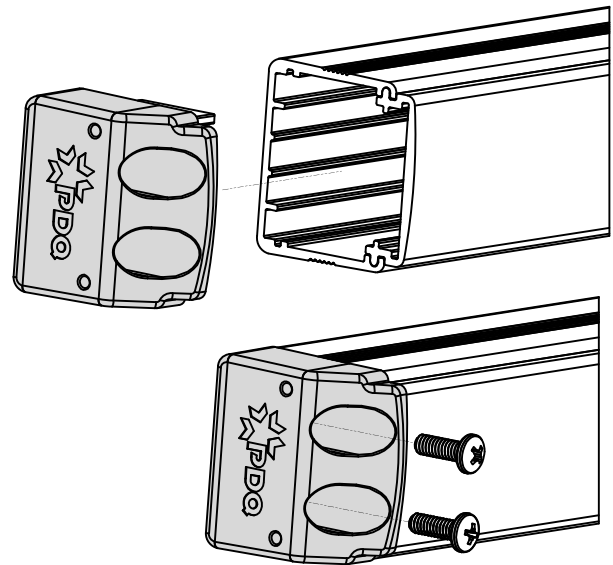
3. INSTALL DEVICE

- Install device and trim with 1/4-20 screws from pack #639043.
- Device can be surface mounted to the door, optional sex nuts are available, device is through bolted if using trim.

Mounting Options:	
Reinforced Steel or Aluminum Door	Surface Mount: Drill/Tap push side for 1/4-20
Solid Wood Door	Drill 1/8" Pilot Hole for #10 Wood Screw
All Others	Use optional Sex Bolts. Drill push side with 9/32" drill bit. Drill pull side with 3/8" drill bit.

4. INSTALL END CAP

- Slide end cap into rail. Ensure rail is level. Mark the centers of the slots.
- Remove end cap then drill holes using the chart from Step 3.
- Reinstall end cap and fasten with screws.



5. INSTALL HEAD COVER

- Slide head cover onto exit device
- Install 4 mounting screws

6. INSTALL STRIKE

- Install strike with roller toward door face using two #10-24 pan head screws.
- Adjust strike to secure door.
- Install flat head locking screw by drilling and tapping for #10-24 after final adjustment is achieved.

