

INSTALLATION INSTRUCTIONS

Effective date: November 1, 2022

Supercedes: All Previous

McKinney

ASSA ABLOY

Experience a safer
and more open world

NOT TO SCALE

MACPRO SPRING HINGES FOR RATED FIRE DOORS

(A) As established in the national fire protection code 80 (NFPA®80). A minimum of two spring hinges are required for labeled fire door installations. However, three spring hinges may be required, depending on hinge size. And the type, size and weight of the door.

(B) For a thickness of 1³/₈" doors, maximum up to 32" wide x 84" high, use 3¹/₂" spring hinge for a door up to 60" high require three hinges, at least two of the three must be spring hinges.

INSTALLATION:

1. First mount the hinges by matching the hinge leaf hole pattern to the door, then, match the other leaf (with the "UL" logo) to the jamb. Doing this way may require having the adjustment end down.
2. Place door in closed position. Insert allen wrench in hex adjustment hole as show in above right diagram.
3. If adjustment end is up, turn allen wrench left (clockwise) to desired spring tension. If adjustment end is down, turn allen wrench right (counterclockwise) to desired spring tension.

CAUTION: do not exceed three holes of tension for doors opening to 180 degrees. Do not exceed five holes (seven holes for 4.5") of tension for doors opening to 90 degrees.

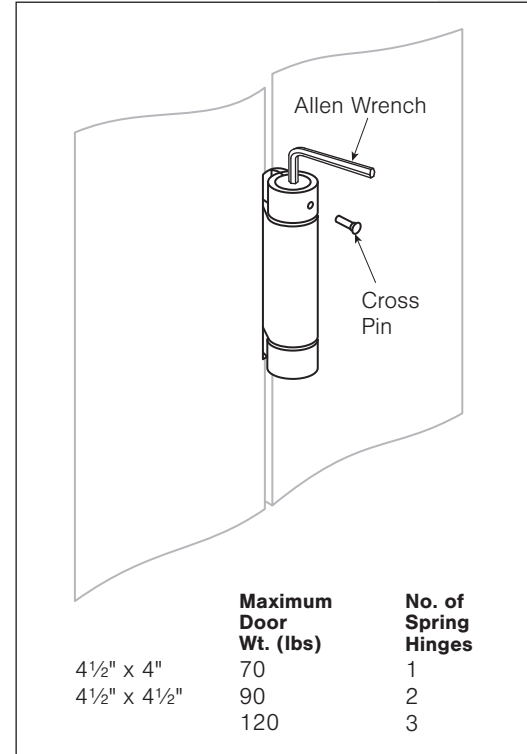
4. Insert cross pin when holes in center stud and hinge knuckle line up. Slowly release pressure on the allen wrench.
5. Remove allen wrench and test closing action of door.
6. Repeat steps 2~4, if necessary, to increase spring tension.

To make tension adjustment tamperproof, snip off cross pin at break-away head. However, If future, adjustment may be needed, do not remove head.

FASTENERS:

- (8) 1/2" x #12-24 Machine Screws
- (8) 1 1/4" x #2 Wood Screws

NOTE: Adjust spring hinge to minimum tension required to close the door. Over-tensioning will reduce the spring life.



Hinge Model No.	Hinge	Marks
454034	4 1/2" x 4" x 3.4 mm	40 : Square Corner
454534	4 1/2" x 4 1/2" x 3.4 mm	41 : 1/4" Radius Corner 58 : 5/8" Radius Corner
		R : Residential Hole Pattern T : Template Hole Pattern

For product, parts, templates, or technical assistance, please visit us at:
<http://www.mckinneyhinge.com/>

McKinney
Berlin Operations
225 Episcopal Road
Berlin, CT 06037
www.mckinneyhinge.com

NOTE: McKinney reserves the right to make product changes and is not responsible for obsolete template errors. To ensure your template is current please visit our website at www.mckinneyhinge.com or call us at 1-800-346-7707.